



Service Bulletin

PRELIMINARY INFORMATION

Subject: Clarification Of Engine Compartment Ground Locations

Models: 2012 - 2013 Chevrolet Sonic

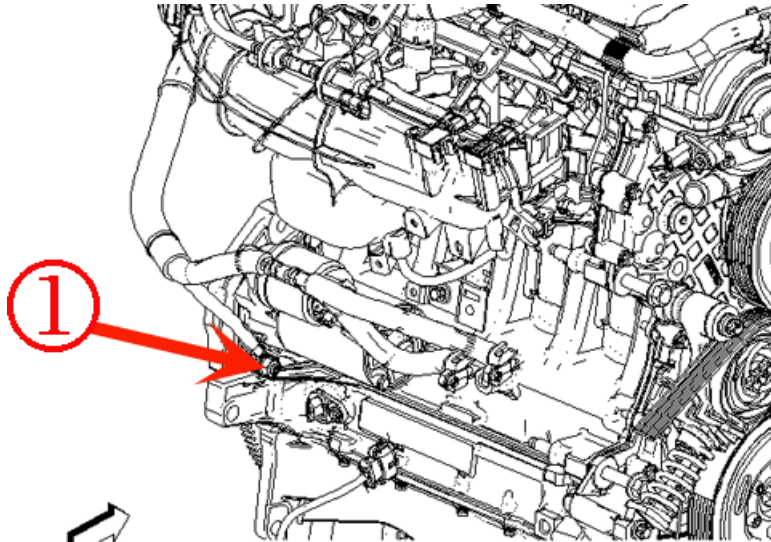
The following diagnosis might be helpful if the vehicle exhibits the symptom(s) described in this PI.

Condition/Concern

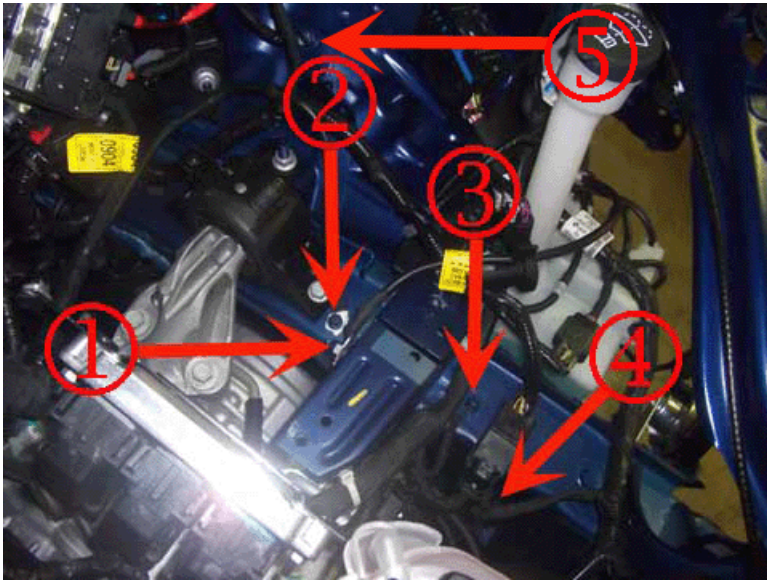
This PI is to clarify the vehicle ground numbers and locations in the engine compartment while SI is in the process of being corrected.

Recommendation/Instructions

See Photos Below:



1. G107



1. G105
2. G106
3. G103
4. G100
5. G102



1. G104

Please follow this diagnostic or repair process thoroughly and complete each step. If the condition exhibited is resolved without completing every step, the remaining steps do not need to be performed.

GM bulletins are intended for use by professional technicians, NOT a "do-it-yourselfer". They are written to inform these technicians of conditions that may occur on some vehicles, or to provide information that could assist in the proper service of a vehicle. Properly trained technicians have the equipment, tools, safety instructions, and know-how to do a job properly and safely. If a condition is described, DO NOT assume that the bulletin applies to your vehicle, or that your vehicle will have that condition. See your GM dealer for information on whether your vehicle may benefit from the information.



WE SUPPORT VOLUNTARY TECHNICIAN CERTIFICATION