



NEW FLYER

PARTS MANUAL BULLETIN

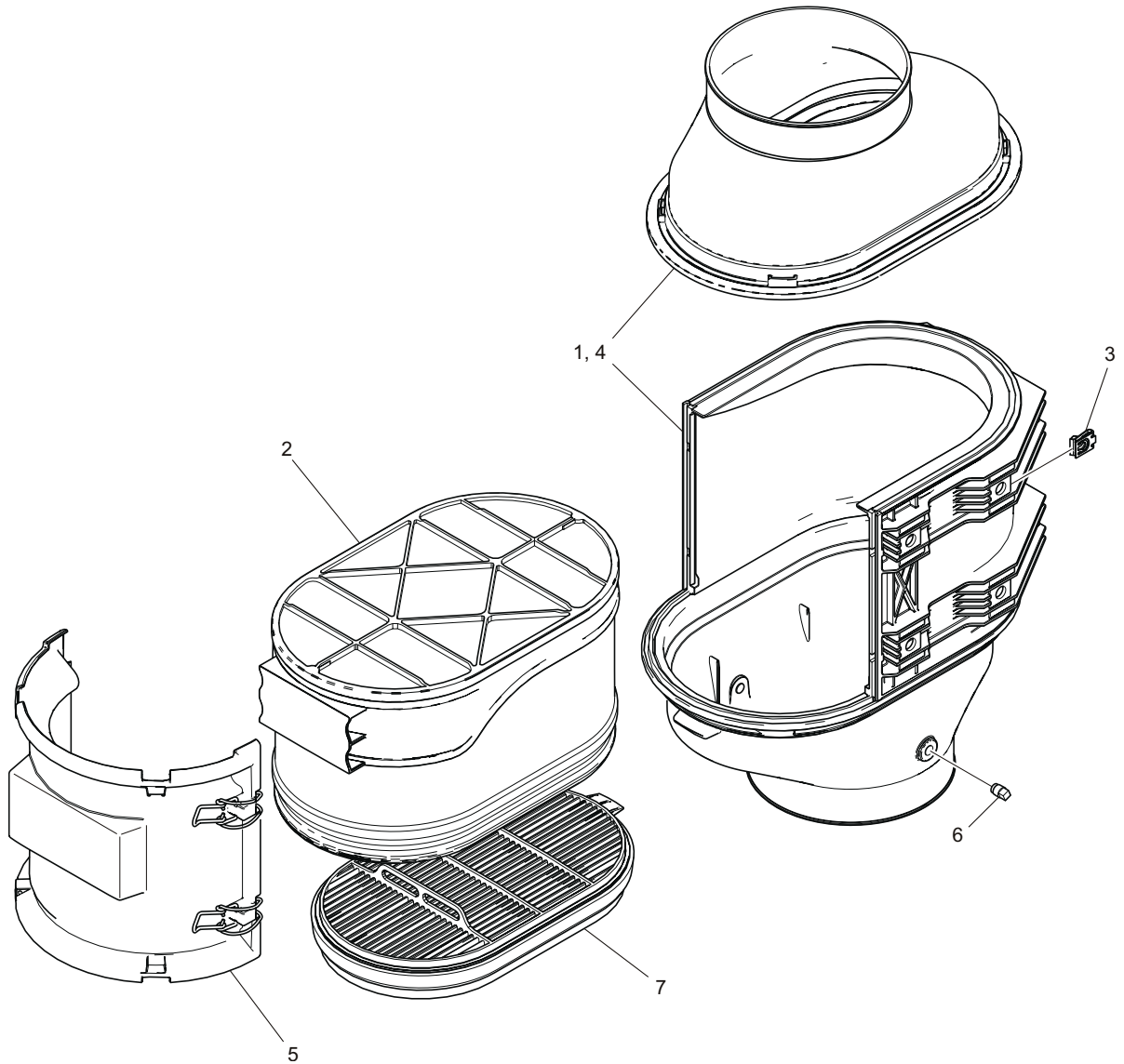
This Parts Manual Bulletin is prepared by the Publications Department of New Flyer Industries Canada ULC. This Parts Manual Bulletin supplements existing information in your New Flyer Parts Manual. Refer to details below.

PMB-039

ISSUE DATE: Nov 26 2012

APPLICABILITY					
VEHICLE LENGTH	<input type="checkbox"/> 30ft.	<input type="checkbox"/> 35ft.	<input checked="" type="checkbox"/> 40ft.	<input checked="" type="checkbox"/> 60ft.	<input type="checkbox"/> ALL
VEHICLE TYPE	<input type="checkbox"/> High Floor	<input type="checkbox"/> Low Floor	<input type="checkbox"/> Invero	<input checked="" type="checkbox"/> Xcelsior	<input type="checkbox"/> ALL
FUEL TYPE	<input checked="" type="checkbox"/> Diesel	<input type="checkbox"/> Electric	<input checked="" type="checkbox"/> CNG	<input type="checkbox"/> LNG	<input type="checkbox"/> ALL
	<input checked="" type="checkbox"/> Diesel/Electric	<input type="checkbox"/> Gas/Electric	<input type="checkbox"/> Fuel Cell		
SUBJECT	Air Cleaner Assembly				
SECTION TITLE	4 - ENGINE SYSTEM				
DETAILS	<p>The bulletin provides information on parts for the Donaldson engine air cleaner assembly for your New Flyer vehicle.</p> <p>This information supercedes all prior information on this subject already provided in your New Flyer Manuals. Make this Parts Bulletin available to service personnel to inform them of changed information.</p>				

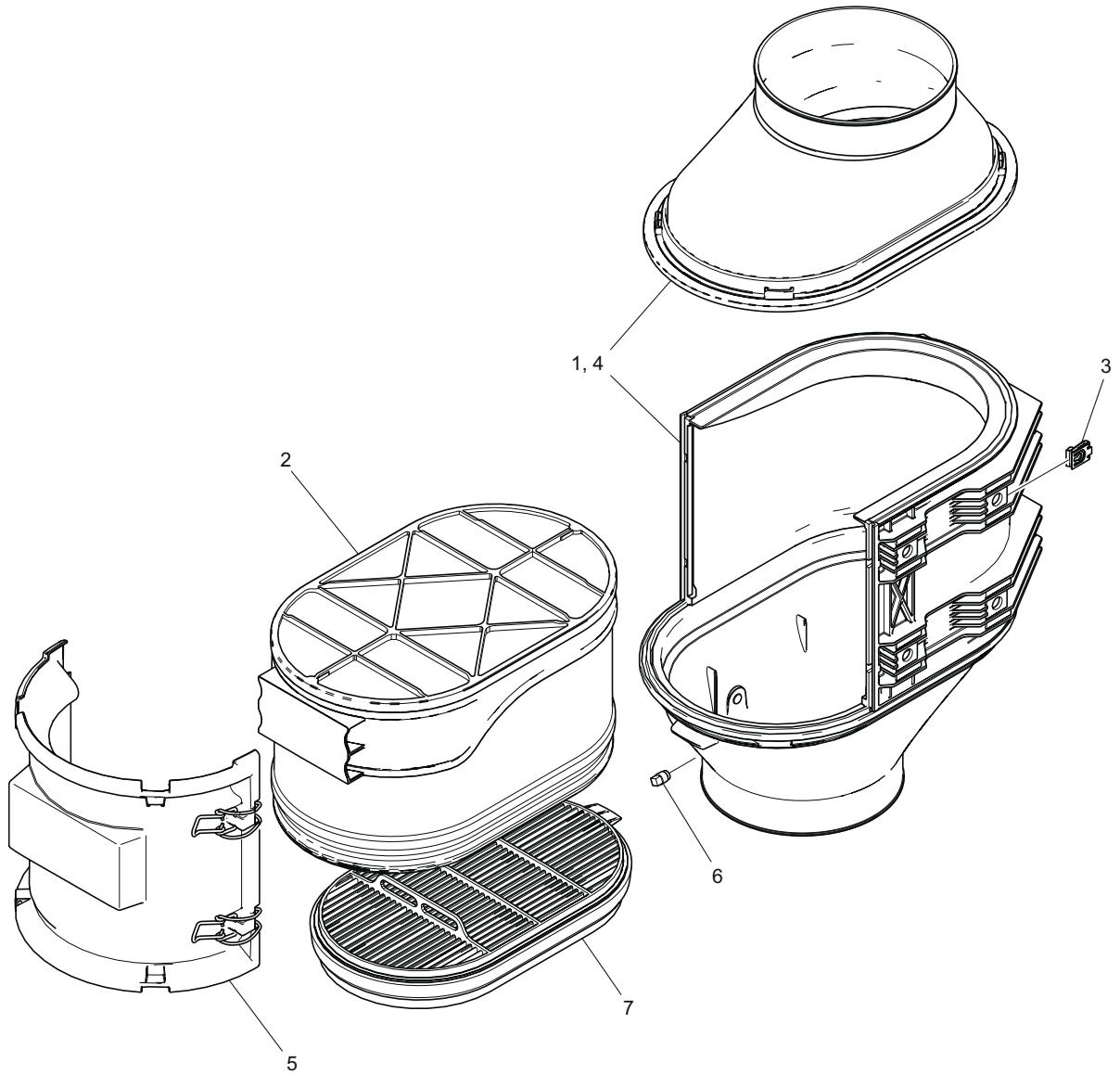
AIR CLEANER ASSEMBLY INSTALLED	REPLACED BY
364260	477921
441965	478251





NEW FLYER

ITEM	QTY	PART NUMBER	DESCRIPTION
1	1	477921	Air Cleaner Assembly, (Incl. 2...7)
2	1	6403568	Air Cleaner Assembly
3	4	6392163	U-Clip, Threaded M8
4	1	NSS	Body Assembly
5	1	6401369	Access Door, with Seal
6	1	6362165	Plug, Pipe
7	1	477007	Secondary Filter
KIT	A/R	6401482	Kit, U-Clip (Incl. 3)





NEW FLYER

ITEM	QTY	PART NUMBER	DESCRIPTION
1	1	478251	Air Cleaner Assembly, (Incl. 2...7)
2	1	6403568	Air Cleaner Assembly
3	4	6392163	U-Clip, Threaded M8
4	1	NSS	Body Assembly
5	1	6401369	Access Door, with Seal
6	1	6392165	Plug, Pipe
7	1	477007	Secondary Filter
KIT	A/R	6401482	Kit, U-Clip (Incl. 3)