

REFERENCE:	Nova Bus Manuals
SECTION:	13 Destination Sign
RS N°:	MQR 7621-365
EFFECTIVE IN PROD.:	L692-01 (2012AU)

APPLICATION DEADLINE: 2014JA22

SUBJECT:	Front destination sign
JUSTIFICATION:	Vehicle vibrations may cause the front destination sign to disengage from its brackets.

LEVEL	DESCRIPTION	DIRECT CHARGES		TIME
		LABOUR	MATERIAL	
1	Install a clamp kit.	Nova Bus	Nova Bus	40 min
2	–	–	–	–

MATERIAL

QTY	PART N°	REV.	DESCRIPTION	REPLACES PART N°
LEVEL 1				
1	N8900159	–	Clamp kit	–
LEVEL 2				
–	–	–	–	–

Materials will be available within 42 days. To order, please contact Prevost Parts by phone at 1-800-771-6682, by fax at 1-888-668-2555 or by email at prevostparts.commandes@volvo.com. Specify document number, quantity of parts required and shipping address.

DISPOSAL OF PARTS

REMOVED PARTS ARE:	DISCARDED *	RETAINED	* Dispose of the unused parts and the defective parts in accordance with local environmental standards in effect.
	Yes	–	

REVISION HISTORY

REV.	DATE	CHANGE DESCRIPTION	WRITTEN BY
NR	2012NO08	Initial release	Danielle Lacroix

CLIENT	ORDER	ROAD NUMBER		VIN (2NVY/4RKY...)		QTY
		FROM	TO	FROM	TO	
New York City Transit - New York	L643	5895	5895	S92U1B4000143	S92U1B4000143	1
New York City Transit - New York	L670	5771	5894	S92U9B4000147	S92U8C4500060	124
New York City Transit - New York	L670	5770	5770	S92UXC4500061	S92UXC4500061	1
New York City Transit - New York	L681	5896	5986	S92U2C4500023	S92U9C4500164	91
New York City Transit - New York	L681	5253	5283	S92U0C4500165	S92U9C4500195	31

**WARNING**

Follow your internal safety procedures.

PROCEDURE

1.1. Follow the procedure in Annexe 1.



ANNEXE 1**LUMINATOR***FIELD MODIFICATION INSTRUCTION**CLAMP KIT INSTALLATION**ON GEN IV FRONT SIGNS FOR NOVA BUS**NO. 17744*

The following procedure is provided by Luminator. Nova Bus cannot be held responsible for its content.

APPLICATION		REVISIONS				
NEXT ASSY	USED ON	SYM	ECO	DESCRIPTION	DATE	CHECK
		1		PRELIMINARY		

**FIELD MODIFICATION INSTRUCTION
CLAMP KIT INSTALLATION
ON GEN IV FRONT SIGNS FOR NOVA BUS**

THE INFORMATION CONTAINED IN THIS DOCUMENT IS PROPRIETARY TO LUMINATOR, A LTG COMPANY, AND SHALL NOT BE USED OR REPRODUCED FOR ANY PURPOSE WITHOUT PRIOR WRITTEN CONSENT.

WRITER H. DOWNER	DATE 11-2-12	Luminator A LTG COMPANY			
CHECKER XXX	DATE XX-XX-XX	TITLE FMI, GEN 4 CLAMP KIT INSTALL NOVA BUS BUILDS			
APPROVED XXX	DATE XX-XX-XX	SIZE A	CODE IDENT. NO. 17744	DRAWING NO. 905087	
		SCALE NONE	REV. 1	SHEET 1 OF 13	

TABLE OF CONTENTS

Section	Title	Sheet
	Title Sheet	1
	Table of Contents	2
	List of Illustrations.....	3
1.0	Purpose	3
2.0	Parts Needed	3
3.0	Tools	4
4.0	Safety Warnings.....	4
5.0	Procedure.....	4
5.1	Remove Sign From Brackets.....	4
5.2	Remove Pivot Foot	5
5.3	Remove End Cap.....	6
5.4	Install T-Bolt Bars.....	7
5.5	Re-Install End Cap	9
5.6	Re-Install Pivot Foot	9
5.7	Install Street Side Clamp.....	10
5.8	Install Curb Side Clamp.....	11
5.9	Install Silicone Caps (If Desired)	12
5.10	Re-Install Bracket Assy	12
6.0	Labor Estimate	13
	Record of Field Modifications	14

Luminator A LTG Company	SIZE	CODE IDENT. NO.	DWG. NO.
	A	17744	905087
	SCALE NONE	REV. 1	SHEET 2

LIST OF ILLUSTRATIONS

Figure	Title	Sheet
1	Sign As Installed on Brackets.....	4
2	Remove Sign From Brackets.....	5
3	Loosen Screw on Pivot Foot.....	5
4	Remove Pivot Foot	6
5	Remove End Cap	6
6	Tap out End Cap.....	7
7	Install T-Bolt Bars	7
8	Curb Side T-Bolt Bar	8
9	Street Side T-Bolt Bar	8
10	Re-Install End Cap	9
11	Re-Install Pivot Foot	9
12	Install Street Side Clamp	10
13	Street Side Clamp Installed	10
14	Install Curb Side Clamp	11
15	Curb Side Clamp Installed	11
16	Silicone Caps	12
17	Signs as Installed in Brackets with Clamp Kit.....	12

1.0 PURPOSE

The purpose of this field modification instruction is to provide information for the installation of a clamp kit on any Gen IV front Sign with the Standard Support Bar.

2.0 PARTS NEEDED

508923-001 KIT,CLAMP,GEN IV FRONT,NOVA INSTALLS

ITEM	PART NUMBER	DESCRIPTION	QTY/BUS
1	508887-001	Clamp, Gen IV Front Sign, NOVA	1
2	508887-002	Clamp, Gen IV Front Sign, NOVA	1
3	507186-001	T-Bolt Bar	2
4	801293-001	Hex Nut, Keps, Black Oxide	4
5	800954-013	Cap, Silicone, Black	4

Luminator A LTG Company	SIZE	CODE IDENT. NO.	DWG. NO.
	A	17744	905087
	SCALE NONE	REV. 1	SHEET 3

LIST OF ILLUSTRATIONS

Figure	Title	Sheet
1	Sign As Installed on Brackets.....	4
2	Remove Sign From Brackets.....	5
3	Loosen Screw on Pivot Foot.....	5
4	Remove Pivot Foot	6
5	Remove End Cap	6
6	Tap out End Cap	7
7	Install T-Bolt Bars	7
8	Curb Side T-Bolt Bar	8
9	Street Side T-Bolt Bar	8
10	Re-Install End Cap	9
11	Re-Install Pivot Foot	9
12	Install Street Side Clamp	10
13	Street Side Clamp Installed	10
14	Install Curb Side Clamp	11
15	Curb Side Clamp Installed	11
16	Silicone Caps	12
17	Signs as Installed in Brackets with Clamp Kit.....	12

1.0 PURPOSE

The purpose of this field modification instruction is to provide information for the installation of a clamp kit on any Gen IV front Sign with the Standard Support Bar.

2.0 PARTS NEEDED

508923-001 KIT,CLAMP,GEN IV FRONT,NOVA INSTALLS

ITEM	PART NUMBER	DESCRIPTION	QTY/BUS
1	508887-001	Clamp, Gen IV Front Sign, NOVA	1
2	508887-002	Clamp, Gen IV Front Sign, NOVA	1
3	507186-001	T-Bolt Bar	2
4	801293-001	Hex Nut, Keps, Black Oxide	4
5	800954-013	Cap, Silicone, Black	4

Luminator A LTG Company	SIZE	CODE IDENT. NO.	DWG. NO.
	A	17744	905087
	SCALE NONE	REV. 1	SHEET 3

5.1.3. Remove the sign from the bracket assembly using 7/16 inch Nut Driver or Socket and Socket Wrench.

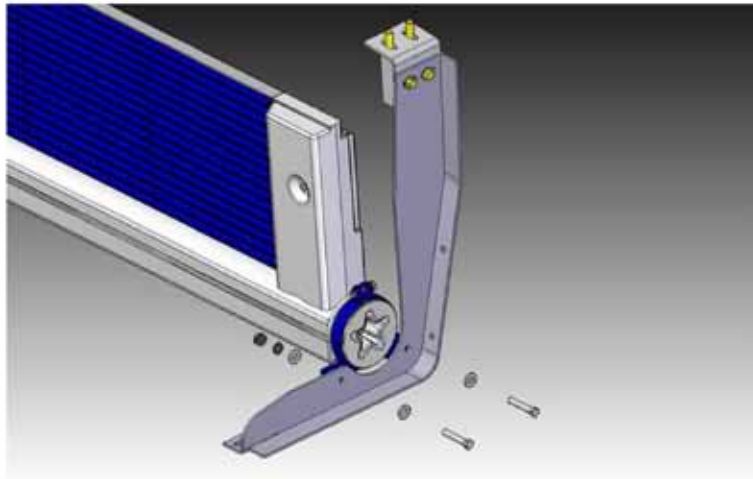


Figure 2 – Remove Sign from Brackets

5.2. Remove Pivot Foot from Sign. (one side only)

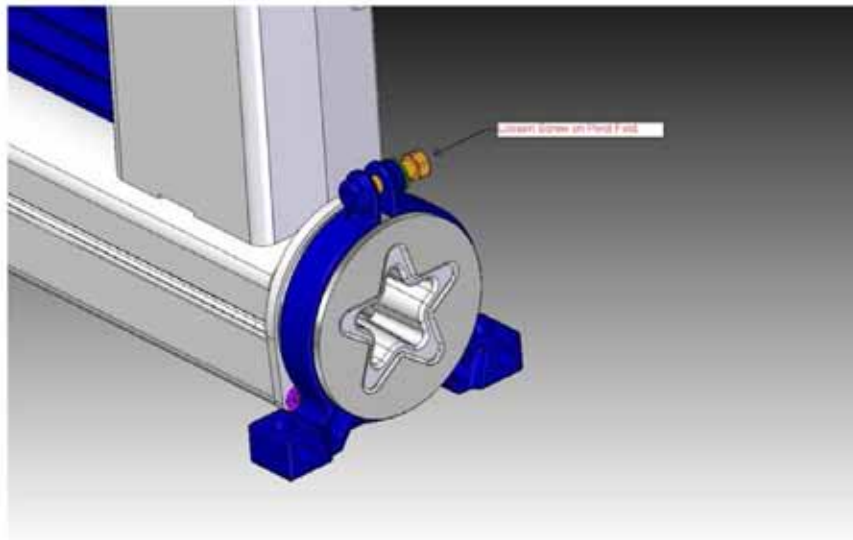


Figure 3 – Loosen Screw on Pivot Foot

Luminator A LTG Company	SIZE	CODE IDENT. NO.	DWG. NO.
	A	17744	905087
	SCALE NONE	REV. 1	SHEET 5

5.2.1. Loosen Screw on Pivot Foot using 7/16 inch Nut Driver or Socket and Socket Wrench.

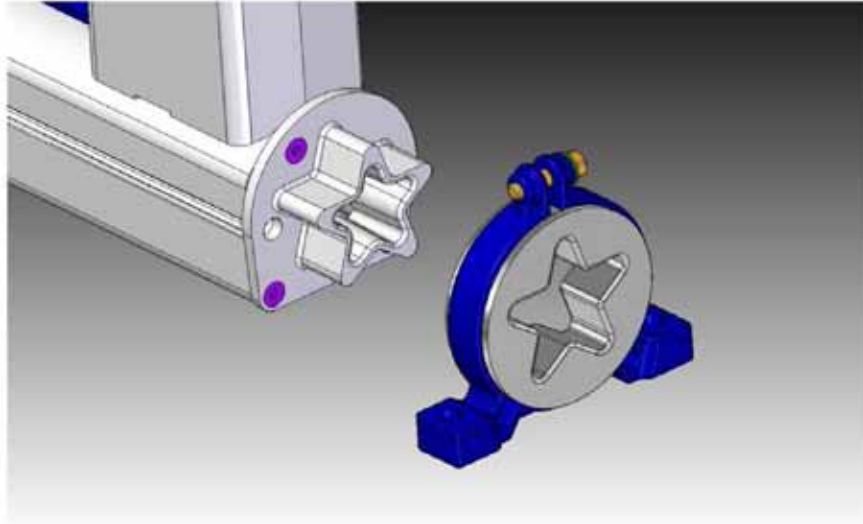


Figure 4 – Remove Pivot Foot

5.2.2. Remove Pivot Foot

5.3. Remove End Cap

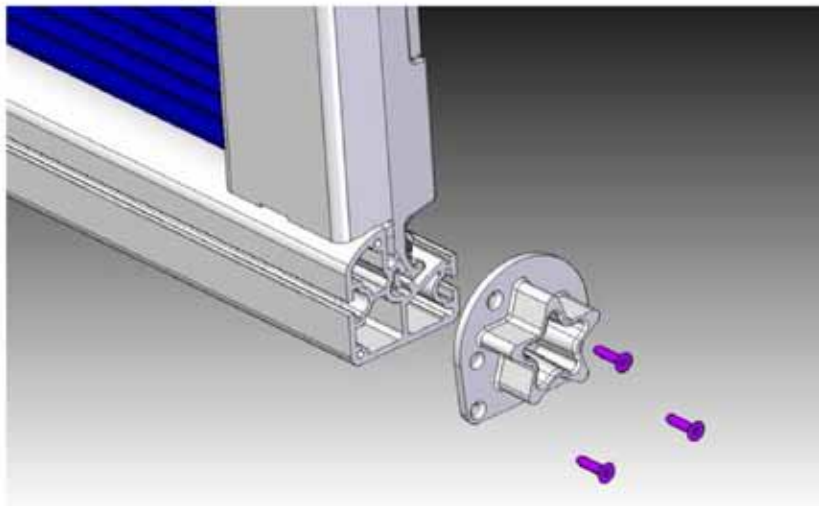


Figure 5 – Remove End Cap

5.3.1. Remove End Cap using Medium Phillips Head Screw Driver

Luminator A LTG Company	SIZE	CODE IDENT. NO.	DWG. NO.
	A	17744	905087
	SCALE NONE	REV. 1	SHEET 6

5.3.2. End Cap is press fitted into support bar. Use a Rubber Mallet and Large Flat Blade Screw Diver to tap stud-pins of End Cap that are inserted into front and rear T-Slots. Once End Cap is removed de-burr the edges of T-Slot where the front stud-pin was press fitted, as the burr left behind will not allow installation of T-Bolt Bars in the next step.



Figure 6 – Remove End Cap

5.4. Install T-Bolt Bars

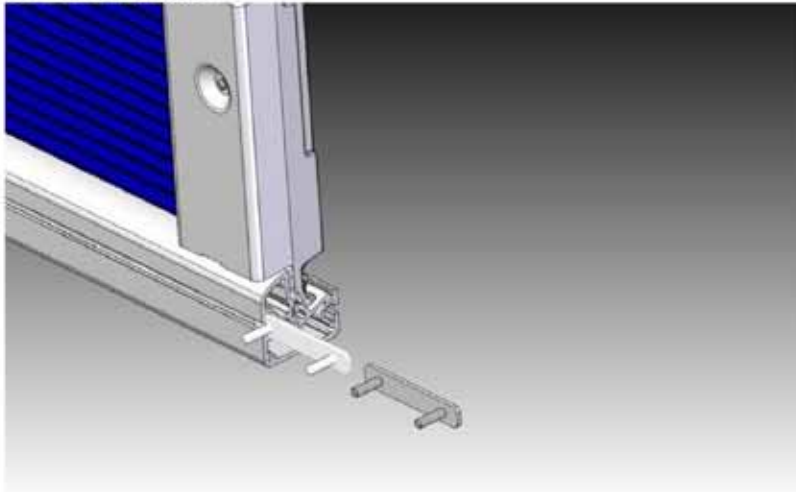


Figure 7 – Install 2 T-Bolt Bars

5.4.1. Install 2 T-Bolt Bars into Front Slot of Support Bar

Luminator A LTG Company	SIZE	CODE IDENT. NO.	DWG. NO.
	A	17744	905087
	SCALE NONE	REV. 1	SHEET 7

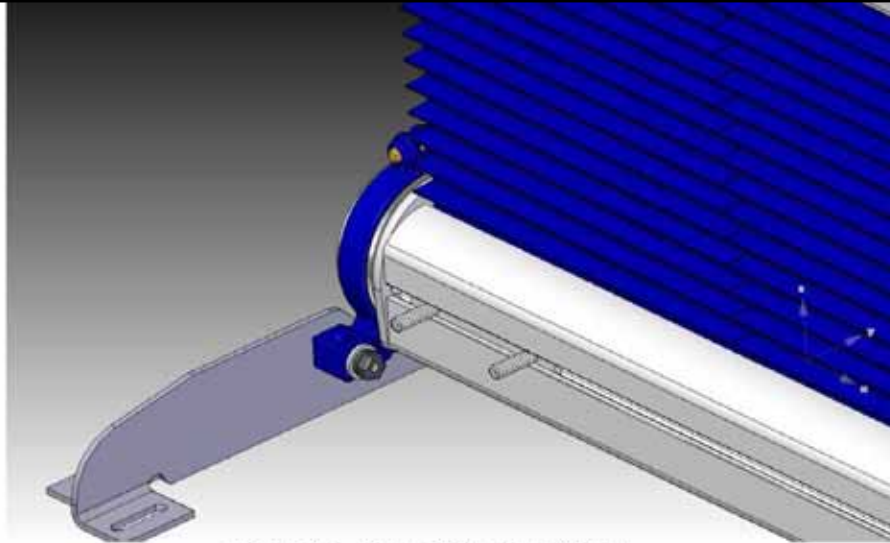


Figure 8 – Curb Side T-Bolt Bar

5.4.2. Slide 1 T-Bolt Bar to the Curb Side of Support Bar

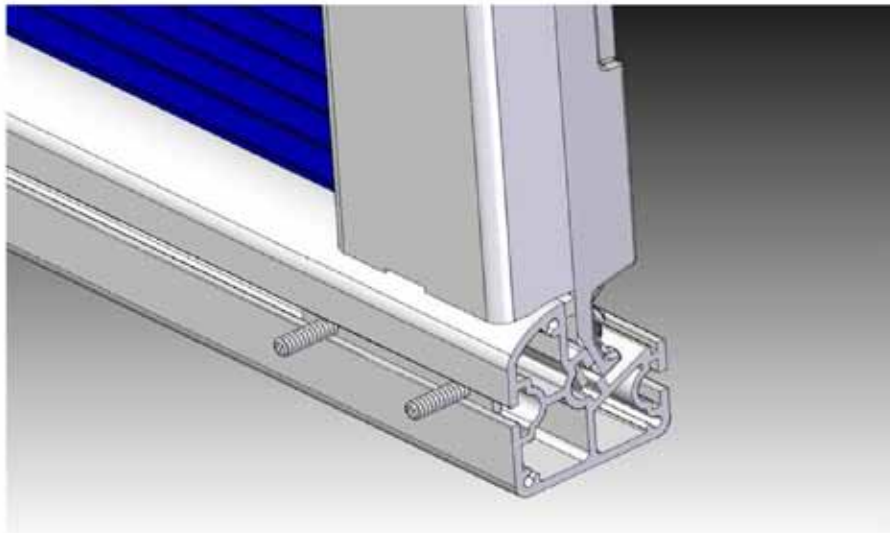


Figure 9 – Street Side T-Bolt Bar

5.4.3. Slide 1 T-Bolt Bar Just Past End of Support Bar

Luminator A LTG Company	SIZE	CODE IDENT. NO.	DWG. NO.
	A	17744	905087
	SCALE NONE	REV. 1	SHEET 8

5.5. Re-Install End Cap

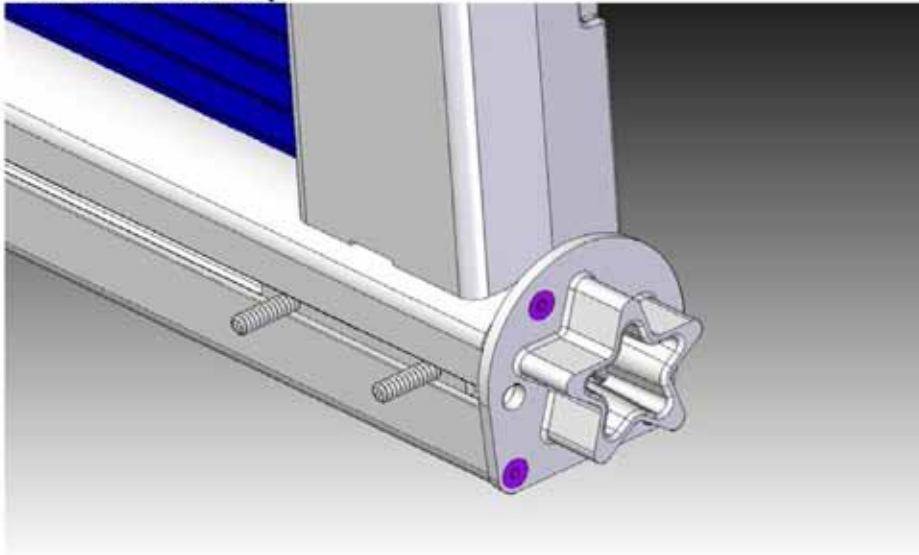


Figure 10 – Re-Install End Caps

5.5.1. Re-Install End Cap Using Rubber Mallet to press fit Stud Pins back into Support Bar and Medium Phillips Head Screw Driver to secure End Cap to Support Bar with Screws

5.6. Re-Install Pivot Foot

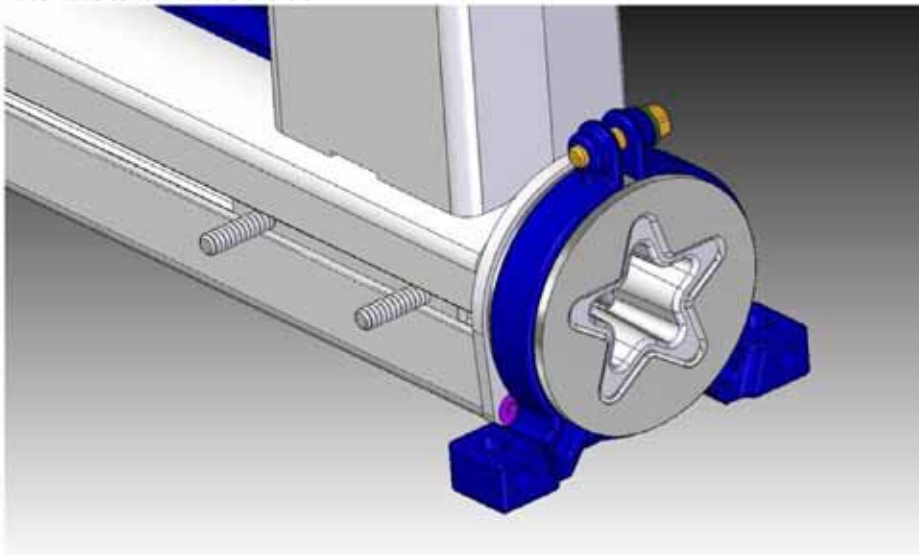


Figure 11 – Re-Install Pivot Foot

5.6.1. Re-Install Pivot Foot using 7/16 inch Nut Driver or Socket and Socket Wrench.

Luminator A LTG Company	SIZE	CODE IDENT. NO.	DWG. NO.
	A	17744	905087
	SCALE NONE	REV. 1	SHEET 9

5.7. Install Street Side Clamp

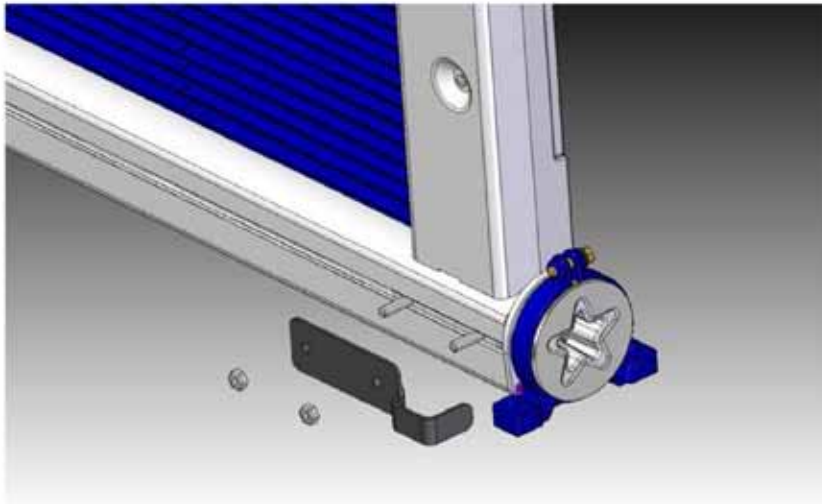


Figure 12 – Install Street Side Clamp 508887-001

5.7.1. Install Street Side Clamp using 7/16 inch Nut Driver or Socket and Socket Wrench.

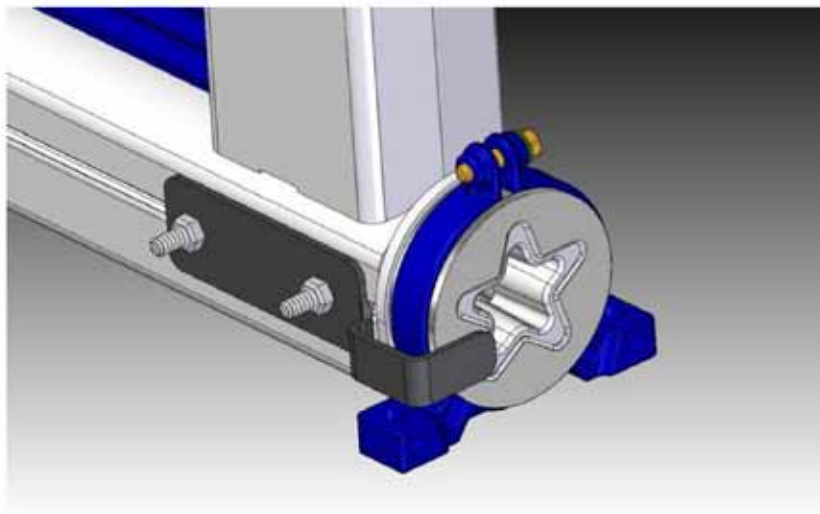


Figure 13 – Street Side Installed

Luminator A LTG Company	SIZE A	CODE IDENT. NO. 17744	DWG. NO. 905087
	SCALE NONE	REV. 1	SHEET 10

5.8. Install Curb Side Clamp

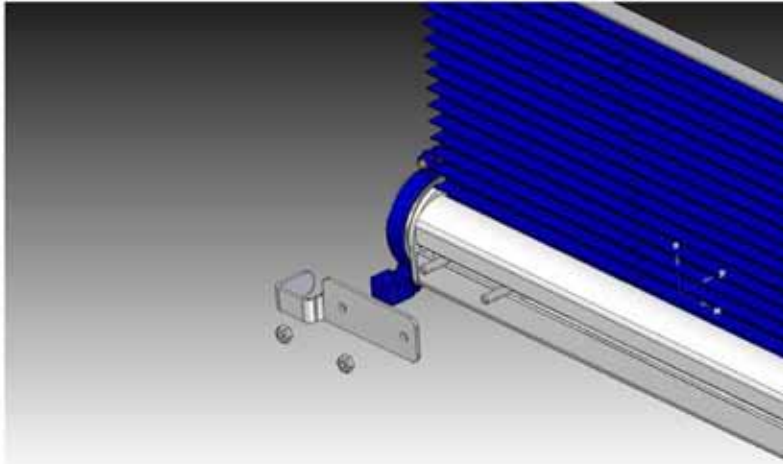


Figure 14 – Install Curb Side Clamp 508887-002

5.8.1. Install Curb Side Clamp using 7/16 inch Nut Driver or Socket and Socket Wrench.

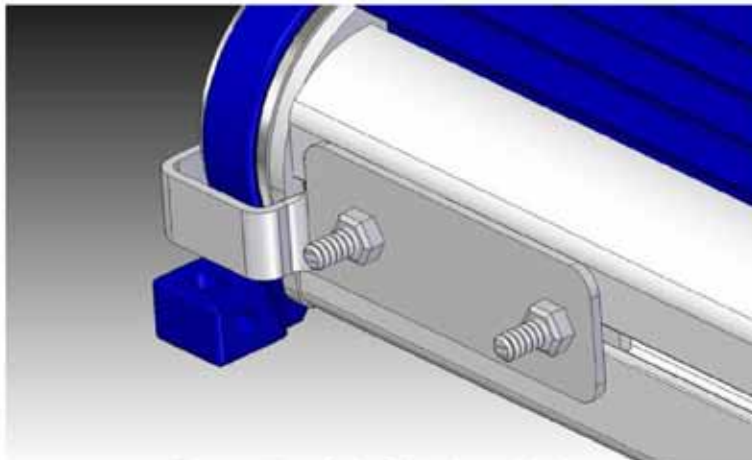


Figure 15 – Curb Side Installed

Luminator A LTG Company	SIZE	CODE IDENT. NO.	DWG. NO.
	A	17744	905087
	SCALE NONE	REV. 1	SHEET 11

5.9. Install Silicone Caps (If desired)

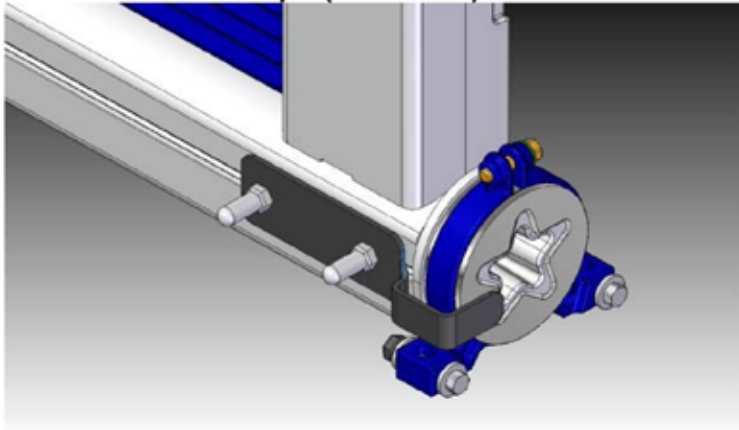


Figure 16 – If desired install Silicone Caps over Studs of T-Bolt Bars

5.10. Re-Install Bracket Assembly using 7/16 inch Nut Driver or Socket and Socket Wrench.

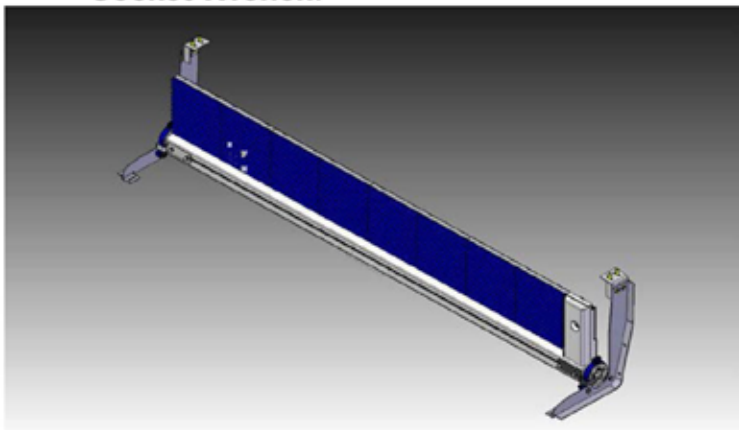


Figure 17 – Sign as Installed in Brackets with Clamp Kit

Luminator A LTG Company	SIZE	CODE IDENT. NO.	DWG. NO.
	A	17744	905087
	SCALE NONE	REV. 1	SHEET 12

6. Labor Estimate

Step	Operation	Men	Minutes
1	Removal Sign from Bus	1	15
2	Remove Pivot Foot and End Cap (1 End of Sign Only)	1	3
3	Install T-Bolt Bars	1	2
4	Reassemble End Cap and Pivot Foot	1	3
5	Install J-Clamps	1	2
6	Remount Sign into Bus	1	15
	Total		40

Luminator A LTG Company	SIZE	CODE IDENT. NO.	DWG. NO.
	A	17744	905087
	SCALE NONE	REV. 1	SHEET 13

