



# Service Bulletin

File in Section: -

Bulletin No.: PI0044C

Date: December, 2012

## PRELIMINARY INFORMATION

**Subject:** Water Leak at Driver/Front Passenger Floor Area and/or Front Carpet Wet

**Models:** 2010-2013 Cadillac SRX

This PI is being revised to add model years. Please discard PI0044B.

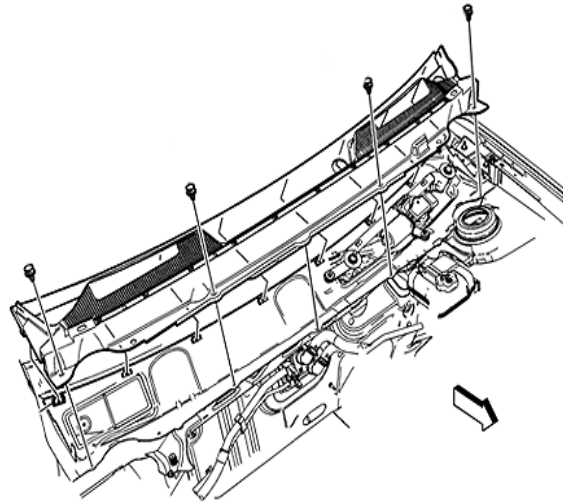
### Condition/Concern

Some customers may comment on seeing a water leak in the driver or front passenger floor area and/or finding the front carpet wet.

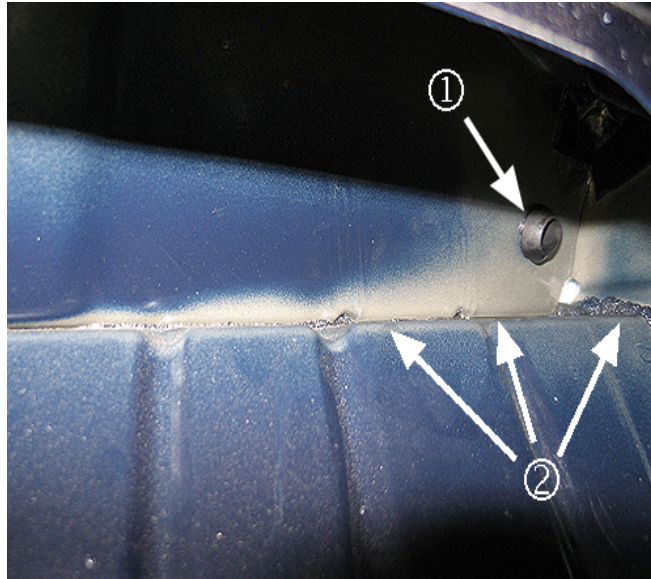
The two most common causes of this concern are that there may be a void in the cowl seam sealer, in the corners below the sunroof drain hose grommets, or that the front sunroof drain hose grommet may not be fully seated in the cowl panel.

### Recommendation/Instructions

Water test the cowl area and inspect the sunroof front drain hose grommets by following the steps below:



1. Remove the air inlet grille panel. Refer to Air Inlet Grille Panel Replacement in SI.



3236000

2. Water test the cowl by running water along the cowl seam (shown in the graphic above), which runs across the front of the vehicle.
3. If water drips are evident, inspect the seam for voids (2) in the sealer. Clean the affected area and seal the void with Kent High Tech™ Clear Seam Sealer, P/N P10200 (5 oz tube), or equivalent.
4. Inspect that the front sunroof drain hose grommets (1) are fully seated to the cowl on both sides. If necessary, re-seat by pushing the grommet into place from the vehicle interior.
5. If you find that the drain hose grommets are not fully seated, ensure that the sunroof drain hoses are not mis-routed or too short, by completing the following steps:
  - 5.1. Check the drain hoses for higher tension that may tend to cause a future disconnect or unseating of the grommet.
  - 5.2. If the hose seems short or displays a higher level of tension, inspect the hose for proper routing on the affected side. Ensure the hose is not pinched or kinked.
  - 5.3. If the routing appears correct, but the hose still seems to be under a higher level of tension, replace the drain hose. Refer to the GM Parts Catalog for the appropriate right or left drain hose part number.
6. Reinstall the air inlet grille panel. Refer to Air Inlet Grille Panel Replacement in SI.

## Parts Information

Contact Kent Automotive at 1-888-YES-Kent or online at [www.kent-automotive.com](http://www.kent-automotive.com).

Part Number	Description
P10200	Kent High Tech™ Clear

## Warranty Information

For vehicles repaired under warranty, use:

Labor Operation	Description	Labor Time
B9927*	R & R Air Inlet Grille Panel – Apply Sealer to Cowl Seam	0.6 hr
B2852	Sunroof Housing Front Drain Hose Replacement	Use Published Labor Operation Time

\*This is a unique labor operation for bulletin use only. It will not be published in the Labor Time Guide.