

ARTICLES CONTAINED IN THIS ISSUE


CODE	ARTICLE	PAGE
(00)	New STIS Releases from 09/01/2012 to 09/30/2012 ...	5
(03)	Color Change To Manual Transmission Oil Level Dipstick	2
(05)	Tribeca Spare Color Change	3
(07)	EyeSight Camera Adjustment	4
(09)	New Fuel With Up To 15% Ethanol	2
(09)	2012 Impreza 4-Door Muffler Appearance Change	3
(12)	Removal of Protective (Plastic) Film On Side Sill Cover For 2013 BRZ	4
(15)	Accessories and EyeSight	1
(15)	2013 Smart Engine Start.....	4

15 ACCESSORIES AND EYESIGHT

The following accessories will not work in vehicles that are equipped with EyeSight due to electrical connector differences.

- Illumination Sill Plates** (Part # H1010AJ000)
- Interior Illumination Kit** (Part# H7010AJ100)
- Sunshade** (Part# SOA3991000)

Currently, the Sunshade is in the process of being redesigned to fit EyeSight equipped vehicles but a final release date has yet to be determined.



Subaru Technical Information System (STIS)

TIP OF THE MONTH

When you are performing a VIN search on the STIS web site, keep in mind that you are doing two things. First, you are giving the web site general information contained within the VIN (Model Year, Vehicle Line, etc.) so that it can search using those general criteria (for publications like Service Manuals).

Second, you are also supplying an actual VIN for comparison against VIN lists associated with Product Campaigns and Service Program Bulletins. Keep in mind, though, that just because a bulletin is found because of a VIN search, it isn't necessarily applicable to that specific VIN or vehicle.



CAUTION: VEHICLE SERVICING PERFORMED BY UNTRAINED PERSONS COULD RESULT IN SERIOUS INJURY TO THOSE PERSONS OR TO OTHERS.

The Subaru TechTIPS newsletter is intended for use by professional technicians ONLY. Articles are written to inform those technicians of conditions that may occur in some vehicles, or to provide information that could assist in the proper servicing of the vehicle. Properly trained technicians have the equipment, tools, safety instructions, and know-how to do the job correctly and safely. If a condition is described, DO NOT assume that your vehicle has or will have that condition. Impreza, Legacy, Justy, Loyale, Outback, Forester, Subaru SVX, WRX, WRX STI, L.L. Bean, Baja, Tribeca, BRZ, XV Crosstrek and "Quality Driven" are Registered Trademarks.

**SUBARU OF AMERICA, INC. IS
"ISO 14001 COMPLIANT"**

The international standard for excellence in Environmental Management Systems. Please recycle or dispose of automotive products in a manner that is friendly to our environment and in accordance with all local, state and federal laws and regulations.

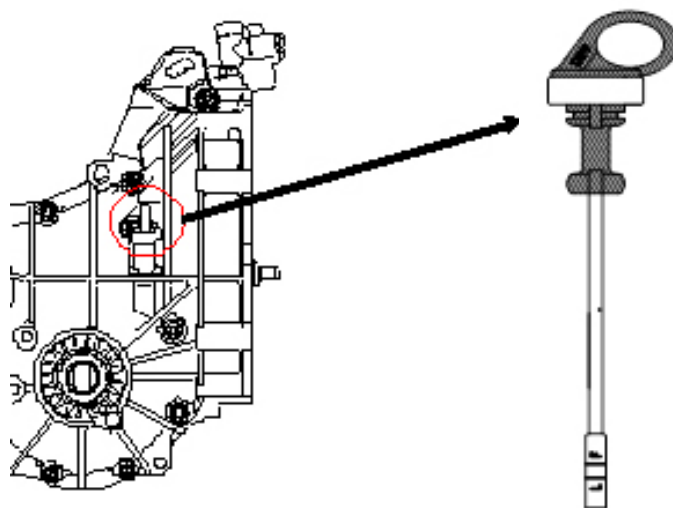


QUALITY DRIVEN® SERVICE



03 COLOR CHANGE TO MANUAL TRANSMISSION OIL LEVEL DIPSTICK

Please be advised that there has been a color change to the oil level finger grip portion of the dipstick on Manual Transmission equipped vehicles. The old design is yellow and the new design is gray. Never use color to determine proper gauge application. Remember that gauge applications are not interchangeable. Always consult your Subaru Parts Professional for the latest parts supersession information when determining the proper gauge for your transmission application.



09 NEW FUEL WITH UP TO 15% ETHANOL

ATTENTION

E15

Up to 15% ethanol

Use only in

- 2001 and newer passenger vehicles
- Flex-fuel vehicles

Don't use in other vehicles, boats or gasoline-powered equipment. It may cause damage and is **prohibited** by Federal law.

Effective June 2012, EPA approved a limited number of ethanol fuel and fuel additive manufacturers to sell E15. (E15 is a blend of gasoline and up to 15% volume ethanol.) It currently has limited distribution by ethanol fuel manufacturer stations in the mid-west states of South Dakota, Kansas, Iowa and Illinois. Major brand fuel suppliers do not plan to sell E-15. For other states that restrict the sale of certain gasoline-ethanol blends, E15 may not be sold without changes to the law.

Our 2001 model year and newer Subaru owner's manuals state that the gasoline blends "*should contain no more than 10% ethanol for the proper operation of your SUBARU.*" We continue to adhere to this usage policy. Additionally, as stated

in the applicable model year owner manuals, "*Fuel system damage or drivability problems which result from the use of improper fuel are not covered under the SUBARU Limited Warranty.*"

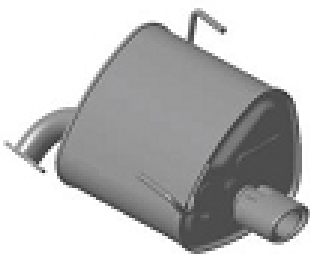
The EPA regulations require all E15 fuel dispensers to have a label, shown here.

05 TRIBECA SPARE COLOR CHANGE

You may notice while setting tire pressures during PDI that the Temporary Spare for the 2013 Model Year Tribeca has been changed from black to yellow in color. This was an intentional change in specification. Do not attempt to replace these spares for incorrect color or specification.



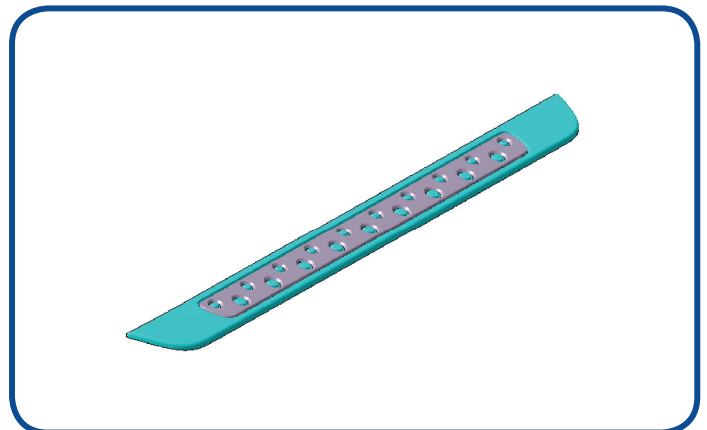
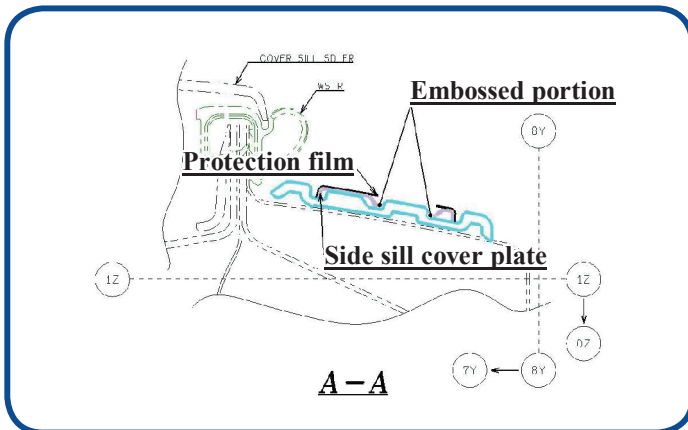
09 2012 IMPREZA 4 DOOR MUFFLER APPEARANCE CHANGE



Muffler painting on the rear end plate and rear bracket hanger on all 2012 Impreza 4 door models has been eliminated. This change was made to enhance the appearance of this area. At no time should one of these mufflers be replaced or repaired for missing paint. Always consult your Subaru Parts Professional for the latest parts application information.

12 REMOVAL OF PROTECTIVE (PLASTIC) FILM ON SIDE SILL COVERS FOR 2013 BRZ

Prior to delivery of any 2013 BRZ, it is important to remove all of the plastic protective covers which are on both sides of the door sill plates. Any film left behind may cause rust to form on the plastic embossed labeling. It is necessary to remove the film just prior to delivery. Please share this information with your dealer personnel as necessary.



07 EYESIGHT CAMERA ADJUSTMENT

When performing the camera adjustment and inspection on a vehicle equipped with the EyeSight system, make sure that you engage the parking brake during the preparation for the camera adjustment and inspection. This is a critical step for insuring an accurate adjustment. This information is currently not in the Technician Reference Booklet or the Service Manual.

15 2013 SMART ENGINE START

If you are working on a 2013 Outback Smart Engine Start concern, please refer to the 2013 Smart Engine Start Installation Manual (H001SAJ800). There is detailed troubleshooting information starting on page 21. The Installation Manual can be located in STIS under Accessory Installation Guides. We hope to have an official 2013 Outback Smart Engine Start Troubleshooting Guide available in the near future.

11-120-12; State Inspection / Maintenance Advisory Bulletin Readiness Code Set Procedure; On-Board Diagnostic System I/M Check During State Emission Test

02-135-12; Technical Service Bulletin Change to Engine Mount Nut and Tightening Torque

SUTTIPSLOC; Other / Miscellaneous TechTIPS Article Locator Index (Updated 09-2012)

09-53-12; Technical Service Bulletin Judgment Standards for Water Pump Replacement

06-43-12; Technical Service Bulletin ETC (Electronic Toll Collection) Device Mounting Guidelines

MSA5P001SS; Technician Reference Booklet 2013 XV Crosstrek Introduction Self Study Training (September 2012)

2012 Calendar of Subaru Holidays

Thanksgiving

Thursday, November 22, 2012

Christmas

Monday, December 24, 2012

Tuesday, December 25, 2012

New Year's Day

Tuesday, January 1, 2013

*** NOW YOU CAN E-MAIL YOUR TECHTIPS INPUT AND SUGGESTIONS TO: SERVICEINFO@SUBARU.COM ***

This is your chance to offer suggestions for use in future issues of TechTIPS! Make sure that if you e-mail us, you place in the **subject line** of your e-mail "**For TechTIPS Newsletter**". Thank you!

MODEL: _____

YEAR: _____

VIN: _____

Description of situation encountered: _____

Your suggestion for repair procedure, product improvements, etc.:

Please attach separate sheets, if necessary. You may also want to include Service Manual diagrams or references, or your own drawings to assist in describing your suggestion. All information submitted becomes the property of Subaru of America, Inc. Permission is granted to Subaru of America, Inc. to print your name and suggestions in TechTIPS and other Subaru of America, Inc. publications. Mail items to: PO Box 6000, Cherry Hill, NJ 08034-6000.

Your Name: _____ **Signature:** _____

Dealer's Name: _____ **City:** _____

Date: _____ **Dealer Code:** _____

SUBARU TECHLINE
Hours of Operation

Monday – Thursday 8:30am to 6:30pm
Friday 10:30am to 5pm