

© 2012 Mazda Motor of America, Inc.

<b>Subject:</b>  <b>RATTLE NOISE FROM REAR STABILIZER</b>	<b>Bulletin No:</b> 02-005/12
	<b>Last Issued:</b> 10/18/2012

## APPLICABLE MODEL(S)/VINS

2010-2012 Mazda3 vehicles (except Mazdaspeed3) with VINs lower than JM1 BL \*\*\*\*\* 622215 (produced before March 01, 2012)

## DESCRIPTION

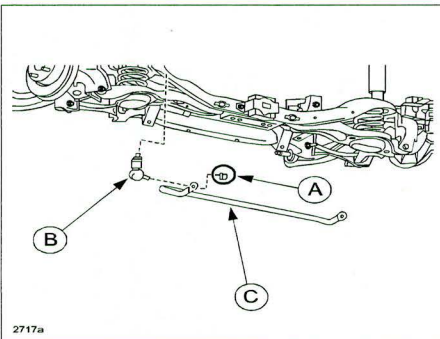
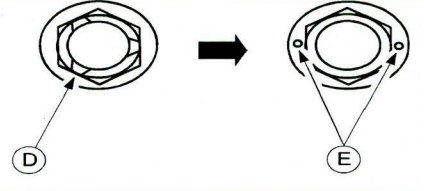
Some vehicles may exhibit a rattle type noise coming from the rear stabilizer when driving over a road bump. This noise may be caused by a loose rear stabilizer control link.

Customers having this concern should have their vehicle repaired using the following repair procedure.

## REPAIR PROCEDURE

1. Verify customer concern.
2. Verify the rear stabilizer control link nut torque is below the 31.8 - 44.8 ft-lbf specification.
3. If loose, replace with new nuts (A). Refer to MS3 online or Workshop Manual (section 02-14 REAR STABILIZER REMOVAL/INSTALLATION).

**NOTE:** After removing the nuts, inspect the threads of the bolts. If wear exists, replace the control link.

	Old Style Locking Nut	New Style Locking Nut
 <p style="font-size: small; margin-top: 5px;">2717a</p>	<div style="border: 1px solid black; padding: 5px; width: fit-content; margin: 0 auto;"> <p style="text-align: center; margin: 0;"><b>R</b></p> <p style="margin: 0;">43.1 - 60.8 N·m {4.4 - 6.2 kgf·m 31.8 - 44.8 ft·lbf}</p> </div> 	<div style="border: 1px solid black; padding: 5px; width: fit-content; margin: 0 auto;"> <p style="margin: 0;">45.0 - 55.0 N·m {4.6 - 5.6 kgf·m 33.2 - 40.6 ft·lbf}</p> </div>
Item	Description	
A	Locking Nut	
B	Rear Stabilizer Control Link	
C	Rear Stabilizer	
D	Old Style Locking Nut	
E	New Style Locking Nut With Identification Marks	

4. Verify repair.

**CONSUMER NOTICE:** The information and instructions in this bulletin are intended for use by skilled technicians. Mazda technicians utilize the proper tools/equipment and take training to correctly and safely maintain Mazda vehicles. These instructions should not be performed by "do-it-yourselfers." Customers should not assume this bulletin applies to their vehicle or that their vehicle will develop the described concern. To determine if the information applies, customers should contact their nearest authorized Mazda dealership. Mazda North American Operations reserves the right to alter the specifications and contents of this bulletin without obligation or advance notice. All rights reserved. No part of this bulletin may be reproduced in any form or by any means, electronic or mechanical—including photocopying and recording and the use of any kind of information storage and retrieval system—without permission in writing.

## PART(S) INFORMATION

Part Number	Description	Qty.
9YB0-41-031	Nut	2

## WARRANTY INFORMATION

**NOTE:**

- This warranty information applies only to verified customer complaints on vehicles eligible for warranty repair.
- This repair will be covered under Mazda's New Vehicle Limited Warranty term.
- Additional diagnostic time cannot be claimed for this repair.

Warranty Type	A
Symptom Code	82
Damage Code	9G
Part Number Main Cause	9YB0-41-031
Quantity	2
Operation Number / Labor Hours:	XXH72XRX / 0.2 Hrs.

## Tony Lawrence

---

**From:** Tony Lawrence  
**Sent:** Thursday, October 18, 2012 4:02 PM  
**Subject:** MAZDA DEALER NOTICE - SERVICE BULLETIN RELEASE

### **SERVICE BULLETIN RELEASE - 10/18/2012**

2012 INDEX: [http://www.mstore2000.com/PDF\\_Files/index10-18-12.pdf](http://www.mstore2000.com/PDF_Files/index10-18-12.pdf)

The following Service Bulletin has just been issued.

- For latest MS3 postings, click here: <https://portal.mazdausa.com/m173/service/esi/MazdaServiceShop>

- For printable PDF files from MStore, click on the link below each TSB title:

\* If the links do not automatically take you directly to the document, cut and paste the link into your internet browser address window and press enter.

### **NEW BULLETINS**

**02-005/12 - 2010-2012 MAZDA3 - RATTLE NOISE FROM REAR STABILIZER**

[http://www.mstore2000.com/PDF\\_Files/02-005-12-2717.pdf](http://www.mstore2000.com/PDF_Files/02-005-12-2717.pdf)

**04-004/12 - 2007-2012 CX-7 - BRAKE FLUID SPILLAGE CAUTION**

[http://www.mstore2000.com/PDF\\_Files/04-004-12-2726.pdf](http://www.mstore2000.com/PDF_Files/04-004-12-2726.pdf)

**09-039/12 - 2010-2011 MAZDA3 AND 2010-2012 CX-7 - CRUISE MAIN INDICATOR LIGHT (AMBER) OCCASSIONALLY COMES ON**

[http://www.mstore2000.com/PDF\\_Files/09-039-12-2725.pdf](http://www.mstore2000.com/PDF_Files/09-039-12-2725.pdf)

**09-040/12 - 2013 CX-5 - BUMPER COVER (OR FASCIA) REPAIR / REFINISHING NOTICE**

[http://www.mstore2000.com/PDF\\_Files/09-040-12-2724.pdf](http://www.mstore2000.com/PDF_Files/09-040-12-2724.pdf)

Please distribute this information to all parts and service personnel.