

CSC-10026738-4831

EMISSIONS RECALL H31 -- VEHICLE EMISSION CONTROL INFORMATION LABEL

Dear: (Name)

Chrysler has determined that an incorrect Vehicle Emission Control Information (VECI) label was inadvertently installed on some **2008 model year Dodge Ram 3500 trucks** built without a pickup box and equipped with a 6.7L diesel engine.

The problem is... The original VECI label on your truck (VIN: xxxxxxxxxxxxxxxxxxxx) does not include the required information for vehicles built without a pickup box. This label provides important emissions related service information and is required under Federal and California regulations.

What you must do... We ask that you apply the enclosed VECI label so that it covers the original label as described on the reverse side of this letter.

If you prefer not to install the label yourself, simply contact your dealer to schedule a service appointment. Label installation will only take a few minutes. However, additional time may be necessary depending on service schedules. This service will be provided free of charge. **Please bring the enclosed VECI label and this letter with you to your dealer.**

If you need help... If you have questions or concerns which your dealer is unable to resolve, please contact Chrysler at 1-800-853-1403.

We are sorry for any inconvenience, but the new label ensures that your vehicle meets all emission regulations. Thank you for your attention to this important matter.

*Buckle up
for Safety!*

Customer Services Field Operations
Chrysler
Notification Code H31

VECI Label Installation Instructions

1. Raise the hood.
2. Locate the original VECI label on the radiator core support (Figure 1).
3. Clean the surface of the original VECI label with alcohol / glass cleaner or equivalent and a soft cloth.
4. Remove the new VECI label from its paper backing.
5. Apply the new VECI label directly over the original VECI label.
6. Firmly press and smooth the label to ensure good adhesion.
7. Close the hood.

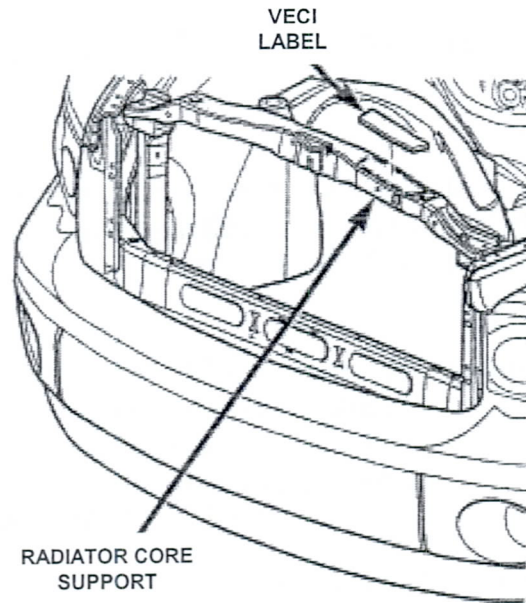


Figure 1