

CHASSIS TECH TIPS

Subject:

SERVICE MANUAL REVISION

OUTER WHEEL BEARING NUT TORQUE REDUCTION

1. RELEVANT MODELS:

Select 2005, 2006, and 2007 NA6J (145), NB6J (165), NC6J (185), ND8J (238), NE8J (268) U.S. and Japan production vehicles equipped with MFS-06 and MFS-08 front non drive steer axles.

2. INFORMATION:

This Tech Tip provides information concerning the updated torque specification found in the Hino Workshop Manual regarding the Arvin Meritor front non-drive steer axles MFS-06 and MFS-08

SPECIAL NOTE:

This specification change does not require any field action. Dealer should begin using this new torque specification at the next service or maintenance interval.

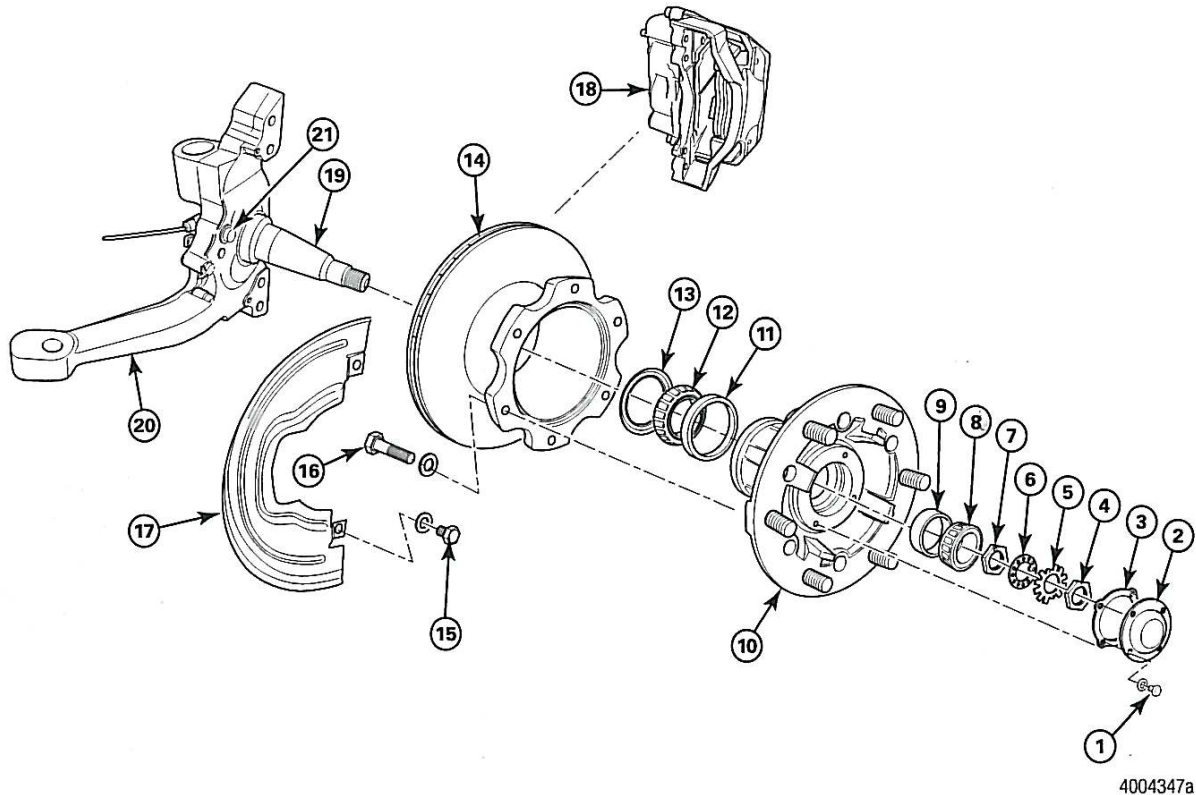
3. SPECIFICATION:

The torque specification for the outer wheel bearing nut has been decreased from 200-300 lbs.ft. (271-401 Nm) to 150-225 lbs.ft. (203-305 Nm)

Axle Model	Old Spec	New Spec
MFS-06	200-300 lbs.ft. (271-401 Nm)	150-225 lbs.ft. (203-305 Nm)
MFS-08	200-300 lbs.ft. (271-401 Nm)	150-225 lbs.ft. (203-305 Nm)

Workshop Manual Year	Page Number
2005	Meritor Maintenance Manual 2 Page 58
2006	AX02-54
2007	AX02-54

CHASSIS TECH TIPS



Item	Description
1	Capscrew and Flat Washer
2	Hubcap
3	Gasket
4	Outer Wheel Bearing Jam Nut
5	Tabbed Lock Washer
6	Pierced Lock Ring with Keyway Tab
7	Outer Wheel Bearing Adjusting Nut
8	Outer Wheel Bearing
9	Outer Race
10	Hub
11	Inner Race
12	Inner Wheel Bearing
13	Grease Seal

Item	Description
14	Hub
15	Capscrew and Washer
16	Capscrew and Washer
17	Backing Plate
18	Reaction Beam Disc Brake Assembly
19	Spindle
20	Integral Steering Arm
21	ABS Sensor