

SERVICE INFORMATION BULLETIN

Subject:

SERVICE MANUAL REVISION

OUTER WHEEL BEARING NUT TORQUE REDUCTION

1. RELEVANT MODELS:

Select 2005, 2006, 2007, and 2008 NA6J (145), NB6J (165), NC6J (185), ND8J (238), NE8J (268) U.S. and Japan production vehicles equipped with MFS-06 and MFS-08 front non drive steer axles.

2. INFORMATION:

This bulletin provides information concerning the updated torque specification found in the Hino Workshop Manual regarding the Arvin Meritor front non-drive steer axles MFS-06 and MFS-08

SPECIAL NOTE:

This specification change does not require any field action. Dealer should begin using this new torque specification at the next service or maintenance interval.

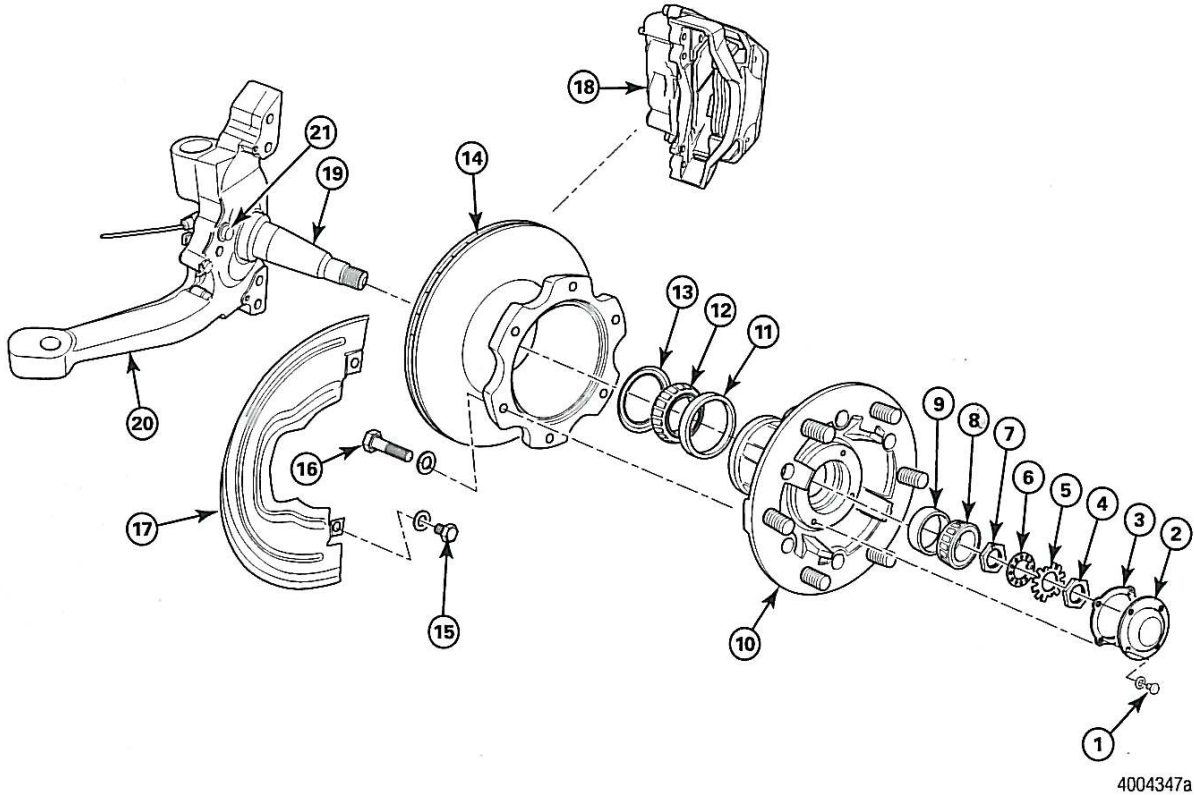
3. SPECIFICATION:

The torque specification for the outer wheel bearing nut has been decreased from 200-300 lbs.ft. (271-401 Nm) to 150-225 lbs.ft. (203-305 Nm)

Axle Model	Old Spec	New Spec
MFS-06	200-300 lbs.ft. (271-401 Nm)	150-225 lbs.ft. (203-305 Nm)
MFS-08	200-300 lbs.ft. (271-401 Nm)	150-225 lbs.ft. (203-305 Nm)

Workshop Manual Year	Page Number
2005	Meritor Maintenance Manual 2 Page 58
2006	AX02-54
2007 & 2008	AX02-54

SERVICE INFORMATION BULLETIN



Item	Description	Item	Description
1	Capscrew and Flat Washer	14	Hub
2	Hubcap	15	Capscrew and Washer
3	Gasket	16	Capscrew and Washer
4	Outer Wheel Bearing Jam Nut	17	Backing Plate
5	Tabbed Lock Washer	18	Reaction Beam Disc Brake Assembly
6	Pierced Lock Ring with Keyway Tab	19	Spindle
7	Outer Wheel Bearing Adjusting Nut	20	Integral Steering Arm
8	Outer Wheel Bearing	21	ABS Sensor
9	Outer Race		
10	Hub		
11	Inner Race		
12	Inner Wheel Bearing		
13	Grease Seal		