



Service Bulletin

File In Section: 01 - HVAC

Bulletin No.: 03-01-37-001

Date: March, 2003



A

TECHNICAL

**Subject: Humming Noise with Heater on High and Fan Speed at Med/High
(Reposition Blower Motor)**

**Models: 2003 Cadillac DeVille and Seville
Built Prior To VIN Breakpoint 3U156832**

Condition

Some customers may comment on hearing a humming noise in the passenger compartment when the heater is on high and the blower motor fan speed is set at medium/high.

Cause

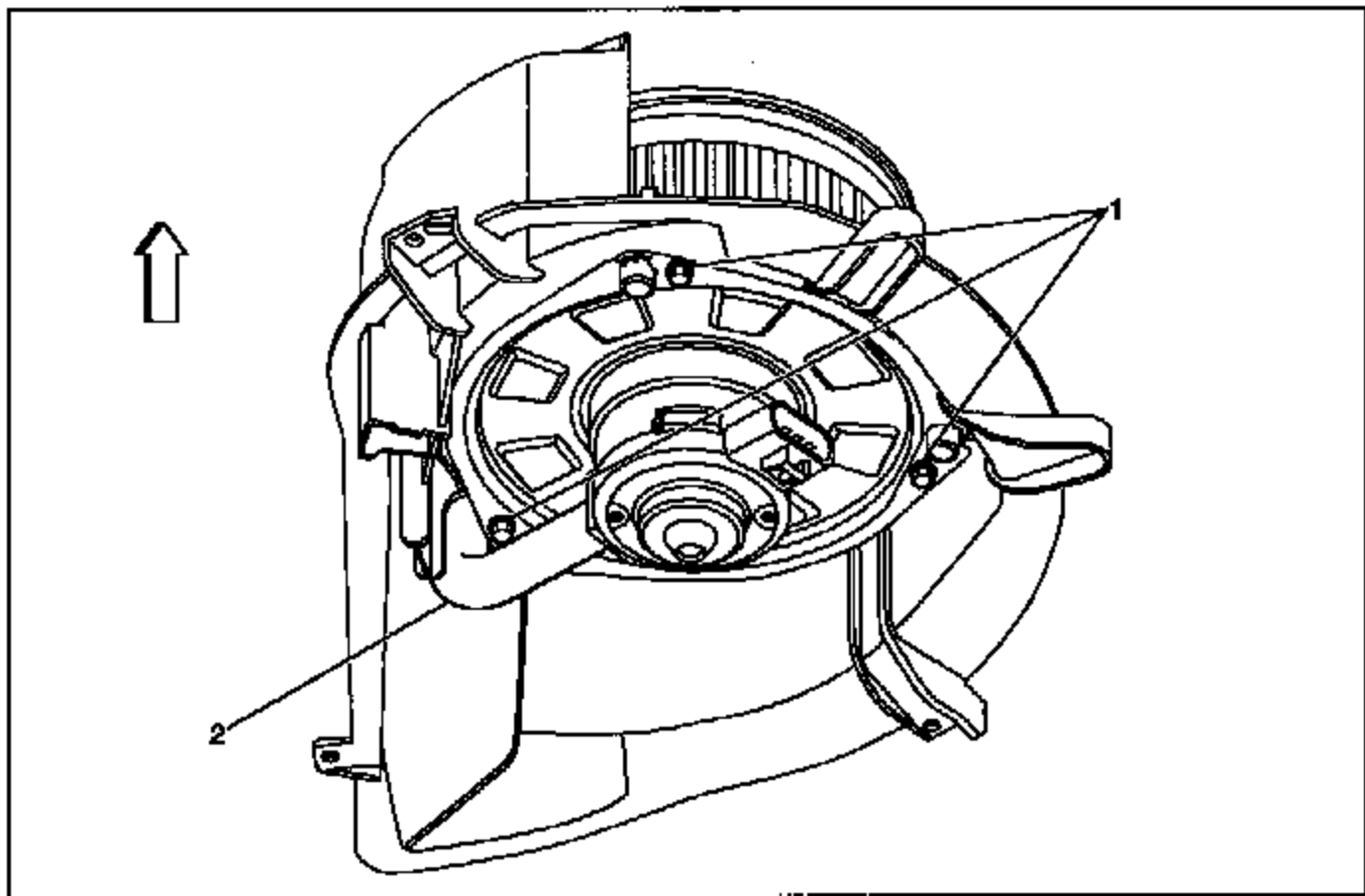
This condition may be due to the position of the Heating, Ventilation and Air Conditioning (HVAC) Module blower motor in the blower motor housing causing the incoming airflow to be restricted.

Correction

Reposition the HVAC blower motor.

Repair Procedure

1. Remove the right side sound insulator. Refer to Closeout/Insulator Panel Replacement-Right in the Instrument Panel, Gages and Console sub-section of the Service Manual.



1256549

2. Slightly loosen the three blower motor retaining fasteners (1).
3. Slide the motor as far as it can go in the direction of the ventilation/cooling tube (2).
4. Tighten the three blower motor retaining fasteners. **Tighten.**
Tighten the fasteners to 1.4 N-m (12 lb in).
5. Install the right side sound insulator. Refer to Closeout/Insulator Panel Replacement-Right in the Instrument Panel, Gages and Console sub-section of the Service Manual.

Warranty Information

For vehicles repaired under warranty use:

Labor Operation	Description	Labor Time
D1322	Motor and/or Fan, Blower — R&R or Replace	0.2 *
*This is a unique labor time for this operation and is to be used only with this bulletin.		

