

10000924



Service Bulletin

File In Section: 06 - Engine/Propulsion System

Bulletin No.: 03-06-04-005

Date: January, 2003



SERVICE MANUAL UPDATE

Subject: Revised DTC P0230

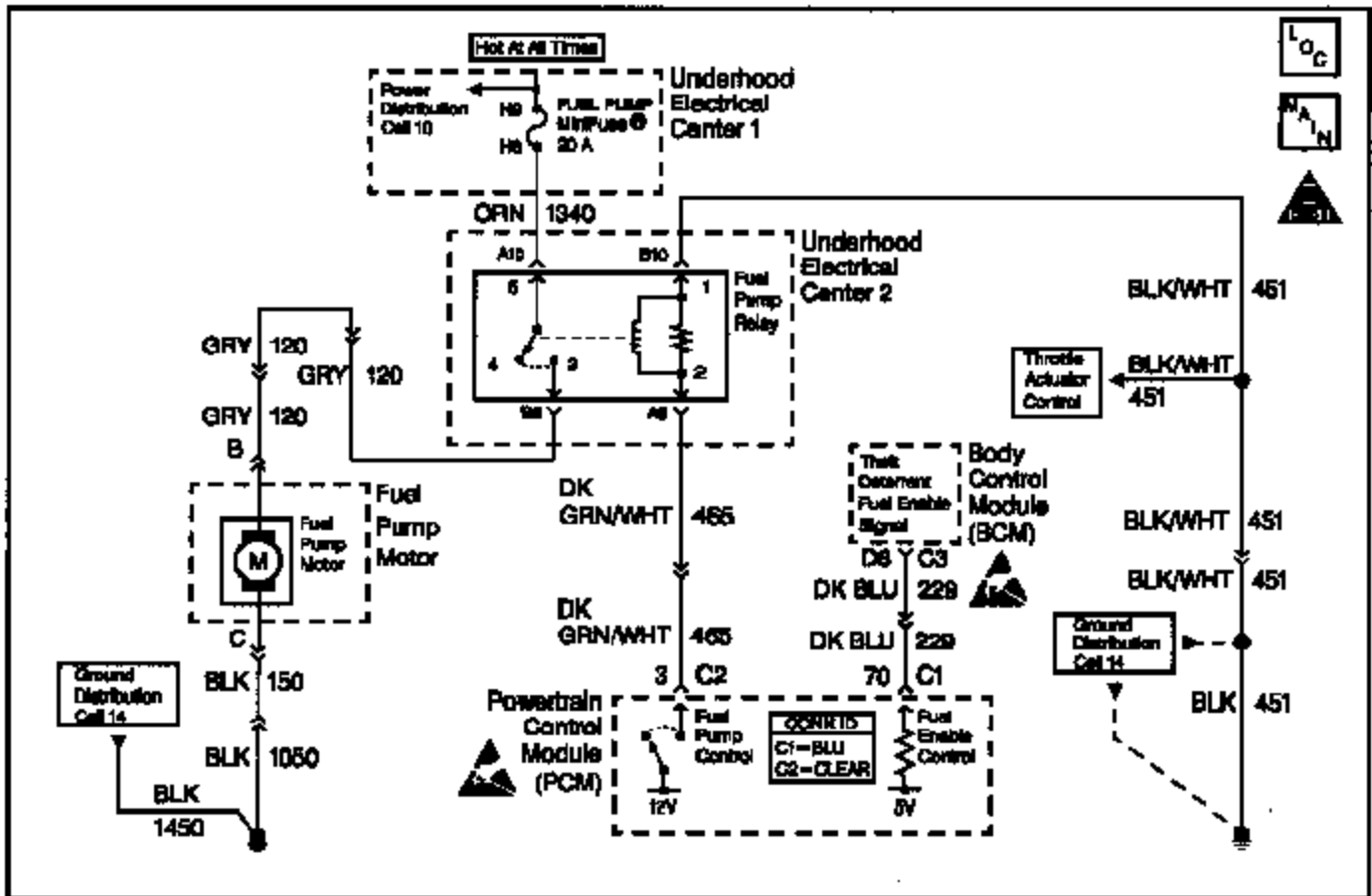
Models: 1998-1999 Chevrolet Camaro
1998-1999 Pontiac Firebird
with 3.8L Engine (VIN K – RPO L36)

This bulletin is being issued to revise DTC P0230 in the Engine Controls-3.8L sub-section of the Service Manual. Please replace the current information in the Service Manual with the following information.

The following information has been updated within SI. If you are using a paper version of this Service Manual, please make a reference to this bulletin on the affected page.

10000924

The correct schematic for the fuel pump relay control circuit is shown below.



200108

GM bulletins are intended for use by professional technicians, NOT a "do-it-yourselfer". They are written to inform these technicians of conditions that may occur on some vehicles, or to provide information that could assist in the proper service of a vehicle. Properly trained technicians have the equipment, tools, safety instructions, and know-how to do a job properly and safely. If a condition is described, DO NOT assume that the bulletin applies to your vehicle, or that your vehicle will have that condition. See your GM dealer for information on whether your vehicle may benefit from the information.



WE SUPPORT VOLUNTARY
TECHNICIAN
CERTIFICATION

10000924