



IMPORTANT SAFETY RECALL

** RECALL NOTICE **

NHTSA Safety Recall 26V-241 | Transport Canada NA

TO: Winnebago Motorhome Dealers
SUBJECT: Campaign # 204 – Side Marker Reflector

Reason For This Recall

Certain Winnebago Vehicles are not equipped with required side marker reflectors. As such these vehicles fail to comply with the requirements of Federal Motor Vehicle Safety Standard FMVSS 108, “Lamps, Reflective Devices, and Associated Equipment.”

Winnebago Motorhomes has decided that a defect related to motor vehicle safety exists on certain:

2027 Winnebago Suncruiser

2026 - 2027 Winnebago Sunflyer

Dealer Campaign Responsibility

DO NOT DELIVER TO A CUSTOMER ANY SUBJECT VEHICLE UNTIL CORRECTIVE ACTION HAS BEEN TAKEN.

Dealers are to service all vehicles subject to this campaign at no charge to owners regardless of mileage, age of vehicle, or ownership from this time forward.

Whenever a vehicle subject to this campaign is taken into new or used vehicle inventory or it is in your dealership for service, you should take the steps necessary to complete the recall prior to reselling or releasing the vehicle. Dealers should contact owners of the vehicles recently sold from their new vehicle inventory and make arrangements to complete the repair according to instructions contained in this recall.

The National Traffic and Motor Vehicle Safety Act, as amended, provides that each vehicle which is subject to a recall campaign of this type must be adequately repaired within a reasonable time after the owner has tendered it for repair. A failure to adequately repair within 60 days after tender of a vehicle is prima facie evidence of failure to repair within a reasonable time.

If the condition is not adequately repaired within a reasonable time, the owners may be entitled to an identical or reasonably equivalent vehicle at no charge or to a refund of the purchase price less a reasonable allowance for depreciation.

To avoid having to provide these burdensome solutions, every effort must be made to promptly schedule an appointment with each owner and to repair their vehicle as soon as possible. If the condition is not remedied within a reasonable time, they are instructed on how to contact the National Highway Traffic Safety Administration



Owner Notification

Owner letters are expected to be mailed out on April 24, 2026.

Repair Procedure:

Refer to instructions.

Parts Information:

Order the corresponding Part Kit from Winnebago Motorhomes using the WinPortal system to identify the labor operation number and create the order. You will be placing the order as a Recall type. You will need the Recall dealer number and the Winnebago Industries serial number of the affected vehicle to place the order. **Recall parts kit must be ordered through Winnebago Motorhomes.**

Reimbursement:

When the service has been completed, submit the labor amount and labor operation number listed below. Your repair order must be properly signed by both the dealer and the owner.

Effective immediately, all Recall Claims must utilize **SPEC24** as the designated Technical Information Code (TIC) within the Salesforce TIC Code FIELD.

Labor operation numbers can be found in the Warranty section of WinPortal under Vehicle Info

Thank you for your cooperation.

Winnebago Motorhomes
Forest City, Iowa 50436

Recall: 204**Labor Operation:****Recall 204 Side Marker Reflectors**

Operation Number	Dealer Number	Parts Kit Number	Time Allowance	TIC CODE
24042101	WG-007964	RC796426704	0.5	SPEC24



Side Marker Reflectors

Classification		Parts Kit Required			
Recall # 204		Part #	RC796426704	Description	Recall # 204 Side Marker Reflectors
Condition					
The failure to be equipped with reflex reflectors compliant with FMVSS No. 108, "Lamps, Reflective Devices, and Associated Equipment", reduces the vehicle's conspicuity to other road users in low-light or night conditions. Reduced visibility may lead roadway users to fail to perceive the presence or dimensions of the vehicle, which increases the risk of a crash.					
Correction					
Install the side marker reflectors on both passenger and driver side back end of the vehicle using the provided fasteners.					
WGO Model Year	Revision	Make	Model	Model Code(s) (Floorplan)	WGO Built/Manufacturing Dates Impacted
2026	1	Winnebago	Sunflyer	WF324GG	8/26/2025 – 2/6/2026
2027	1				
2027	1	Winnebago	Suncruiser	IF324GG	3/6/2026 – 3/6/2026
Disclaimer: Read the entire instructions carefully before starting the procedure. If you have any questions, please contact the Winnebago Industries Technical Service Department by calling 1-866-653-4329 or by email: techservice@wgo.net . This document is confidential and is intended for dealer use only.					

Parts/Kit Image Reference

Parts Required – RC796426704 - Recall # 204 Side Marker Reflectors

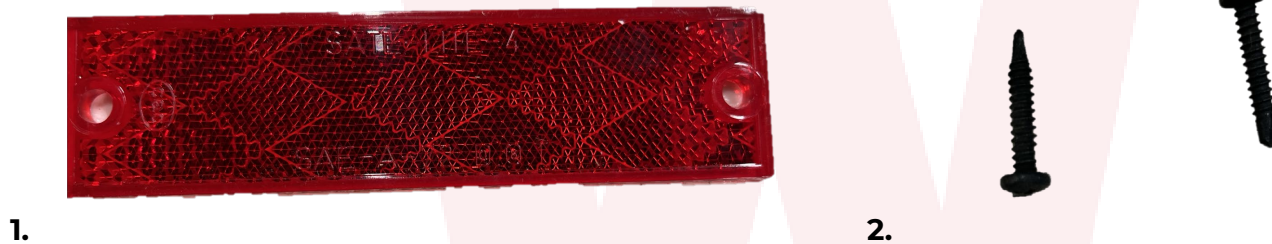
Kit Contains:

1. Reflector – Stick on 166850-01-000 (2)
2. Screw G39-08-16U (4)

Shop Supplies

1. Isopropyl Alcohol
2. #2 Phillips Bit
3. Drill

Parts Required

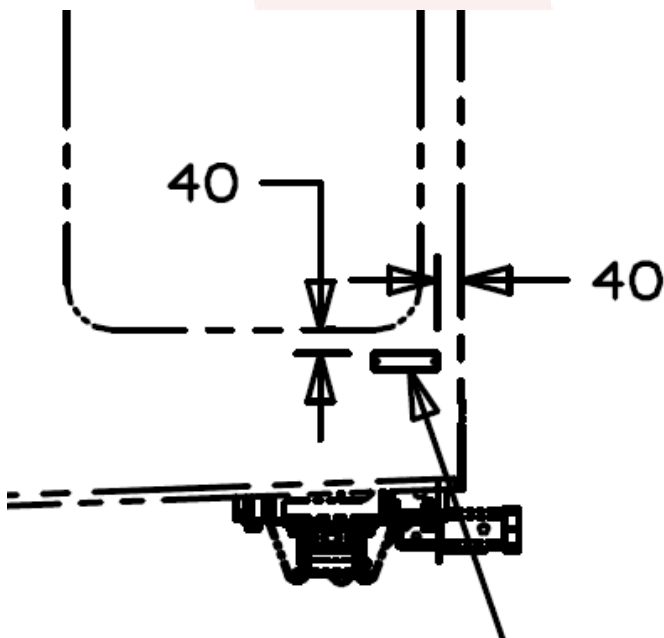


Steps & Procedures

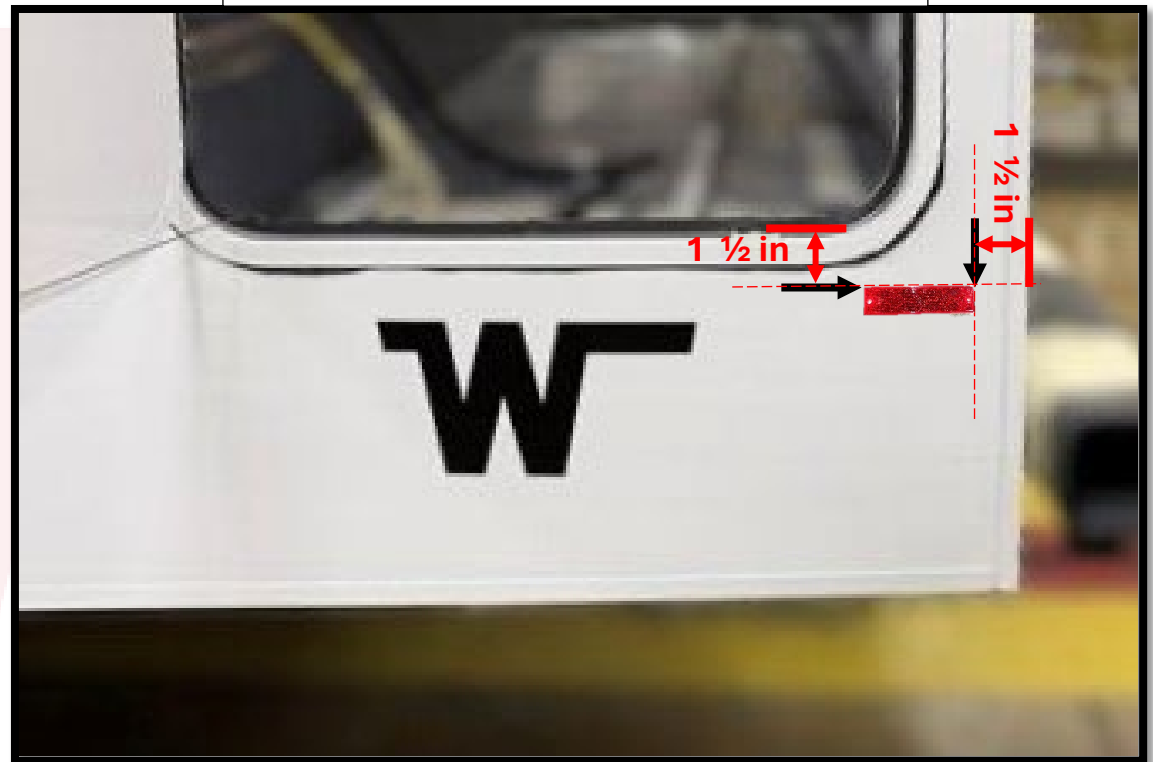
Step 1 – Clean sidewall installation surface with isopropyl alcohol. See Step 2 for locating dimensions.

Step 2 – Remove protective film from reflectors and apply reflectors to vehicle. See below for locating dimensions:

Driver Side (dimensions in millimeters)



Driver Side (dimensions in Inches)



Step 3 – Repeat/mirror the same location measurements of the Driver's side for Passenger Side installation.

Step 4 – Install two (2) screws for each reflector. Tighten all installed screws until snug.