

SAFETY RECALL

NORTH AMERICA

Trailer Lighting and Trailer Brakes



Reference: 03D / NHTSA 26V-059

FCA US LLC



Remedy available for

2024-2026 (KM) Jeep Wagoneer S
2026 (KM) Jeep Cherokee



RAM

Remedy available for

2025-2026 (DT) Ram 1500 Pickup
2025-2026 (DJ) Ram 2500 Pickup
2025-2026 (D2) Ram 3500 Pickup
2025-2026 (DD) Ram 3500 Cab Chassis
2025-2026 (DP) Ram 4500/5500 Cab
Chassis

Template Version 1.0

Revision

Edition

Detail

2

March 2026

[Parts Information](#) section revised on page 3.

SYMPTOM DESCRIPTION

The trailer tow module on about 456,287 of the above vehicles equipped with a trailer tow package may experience a loss of trailer lighting and Ram trucks may also experience a loss of trailer brakes. The trailer turn signal will not flash when the vehicle turn signal lever is actuated and the trailer stop lamps will not be activated upon application of the vehicle service brakes. In addition, Ram trucks, if equipped, the trailer brakes will not function. Trailer lighting that is not illuminated may result in an approaching vehicle being unaware of the change of direction or speed of the vehicle and trailer which may cause a vehicle crash without prior warning. The loss of trailer brakes can also cause a vehicle crash without a prior warning.

IMPORTANT:

- Some of the involved vehicles may be in dealer new vehicle inventory. Federal law requires you to complete this recall service on these vehicles before retail delivery. Violation of this requirement by a dealer could result in a civil penalty of up to \$27,874 per vehicle.
- Some of the involved vehicles may be in dealer used vehicle inventory. Dealers should complete this recall service on these vehicles before retail delivery.
- Dealers should also perform this recall on vehicles in for service.

Involved vehicles can be determined by using the VIP inquiry process.

SCOPE

This recall applies only to the above vehicles equipped with a trailer tow package.

NOTE: Some vehicles above may have been identified as not involved in this recall and therefore have been excluded from this recall.

REPAIR TO BE PERFORMED

Replace the trailer tow module.

ALTERNATE TRANSPORTATION

Dealers should proactively minimize customer inconvenience while the recall repair is being performed. Reference the Goodwill Alternate Transportation Guidelines warranty bulletin link within Recall Central on DealerCONNECT for options to support the customer while their vehicle is in service.

SAFETY RECALL

NORTH AMERICA

Trailer Lighting and Trailer Brakes



Reference: 03D / NHTSA 26V-059

FCA US LLC

COMPLETION REPORTING / REIMBURSEMENT

Claims for vehicles that have been serviced must be submitted on the DealerCONNECT Claim Entry Screen located on the Service tab. Claims paid will be used by FCA to record recall service completions and provide dealer payments.

Use the following labor operation numbers and time allowances:

Labor Description	Number	Hrs
Replace Trailer Tow Module (KM)	08-03-D1-82	0.4
Replace Trailer Tow Module DJ, D2, DD, DP Standard Cab	08-03-D1-83	0.6
Replace Trailer Tow Module DT Quad Cab or Crew Cab	08-03-D1-84	0.7
Replace Trailer Tow Module DJ, D2 Mega Cab	08-03-D1-85	0.8
Replace Trailer Tow Module DJ, D2, DD, DP Crew Cab	08-03-D1-86	1.0

Add the cost of the recall parts plus applicable dealer allowance to your claim.

NOTE: See the Warranty Administration Manual, Recall Claim Processing Section, for complete recall claim processing instructions.

For Mobile Service Reimbursement, dealer to include standard dealer entry and mark-up for parts, standard dealer entry and labor rate for service, as well as the special services code for mobile allowance. The special services LOP will only be paid once per VIN and may NOT be used in coordination with any Alternate Transportation claims.

For additional details, reference the Mobile Service Warranty Bulletin - for convenience, a copy has been linked within Recall Central on DealerCONNECT.

PARTS INFORMATION

Trailer Tow Module

Sales Code XG9 = Trailer Tire Pressure Monitoring System
Sales Code XHC = Trailer Brake Control
Sales Code XFK = 7 Pin Wiring Harness
Sales Code XF2 = 7 AND 4 Pin Wiring Harness

Part No.	Qty.	Part Name
CSZT03D1AA	1	(DT, DJ, D2, DD, DP) With Sales Codes XHC and XFK Without XG9
CSZT03D2AA	1	(KM) With Sales Code XF2
CSZT03D2AA	1	(DT, DJ, D2, DD, DP) With Sales Code XFK Without Sales Codes XG9 and XHC
CSZT03D3AA	1	(DT, DJ, D2, DD, DP) With Sales Codes XHC XFK XG9

Fasteners (DT) with Sales Code CFM Bench Seat

Part No.	Qty.	Part Name
CSZT03D4AA	1	Bolt - M10x1.5x30 Seat to floor - Front of seat (Inverted Torx Head) (2 required, 4 per C-kit)
CSZT03D5AA	1	M12X1.75X43.00 Seat to floor - Rear of seat (Hex Head) (3 required, 5 per C-kit)

Fasteners (DT) with Sales Code CFN or CAK 60/40 Seats

Part No.	Qty.	Part Name
CSZT03D4AA	1	Bolt - M10x1.5x30 Seat to floor - Front of seat (Inverted Torx Head) (4 required, 4 per C-kit)
CSZT03D5AA	1	Bolt - M12X1.75X43.00 Seat to floor - Rear of seat (Hex Head) (5 required, 5 per C-kit)

SAFETY RECALL

NORTH AMERICA

Trailer Lighting and Trailer Brakes



Reference: 03D / NHTSA 26V-059

FCA US LLC

Fasteners (DJ, D2, DD, DP) Crew Cab with CFN 60/40 Seat

Part No.	Qty.	Part Name
CSZT03D7AA	1	Bolt - M8X1.25X30.00 Rear Child Seat Tether (3 required, 3 per C-kit)
CSZT03D6AA or CSZT03D6AB	2 or 1	Bolt - M12X1.75X50.50 Seat to Floor and Center Shoulder Belt Retainer (Larger Washer) (7 required per vehicle) (AA = 6 per C-kit) (AB = 7 per C-kit)
CSZT03D8AA	1	Bolt - M12X1.75X50.50 Seat Buckle (Smaller Washer) (2 required, 2 per C-kit)

Fasteners (DJ, D2, DD, DP) Crew Cab with CFM Bench Seat

Part No.	Qty.	Part Name
CSZT03D7AA	1	Bolt - M8X1.25X30.00 Rear Child Seat Tether (3 required, 3 per C-kit)
CSZT03D6AA	1	M12X1.75X50.50 Seat to Floor and Center Shoulder Belt Retainer (5 required, 6 per C-kit)

Fasteners (DJ, D2, DD, DP) Mega Cab

Part No.	Qty.	Part Name
CSZT03D9AA	1	Seat Belt Lower Retractor C-Pillar Right or Left (1 required, 1 per C-kit)

PARTS RETURN

No parts return required for this campaign.

Render the recalled trailer tow module unusable and discard.

SPECIAL TOOLS

Number	Description
NPN	wiTECH MicroPod II / MDP
NPN	Laptop Computer
NPN	wiTECH Software

DEALER NOTIFICATION

To view this notification on DealerCONNECT, select "Global Recall System" on the Service tab, then click on the description of this notification.

OWNER NOTIFICATION / SERVICE SCHEDULING

All involved vehicle owners known to FCA are being notified of the service requirement by first class mail. They are requested to schedule appointments for this service with their dealers.

VEHICLE LISTS, GLOBAL RECALL SYSTEM, VIP AND DEALER FOLLOW UP

All involved vehicles have been entered into the DealerCONNECT Global Recall System (GRS) and Vehicle Information Plus (VIP) for dealer inquiry as needed.

GRS provides involved dealers with an updated VIN list of their incomplete vehicles. The owner's name, address and phone number are listed if known. Completed vehicles are removed from GRS within several days of repair claim submission.

To use this system, click on the "Service" tab and then click on "Global Recall System." Your dealer's VIN list for each recall displayed can be sorted by those vehicles that were unsold at recall launch, those with a phone number, city, zip code, or VIN sequence.

Dealers must perform this repair on all unsold vehicles before retail delivery. Dealers should also use the VIN list to follow up with all owners to schedule appointments for this repair.

Recall VIN lists may contain confidential, restricted owner name and address information that was obtained from the Department of Motor Vehicles of various states. Use of this information is permitted for this recall only and is strictly prohibited from all other use.

ADDITIONAL INFORMATION

If you have any questions or need assistance in completing this action, please contact your Service and Parts District Manager.

Customer Services / Field Operations
FCA US LLC.

Strictly respect STELLANTIS Group safety, cleanliness, and environmental instructions for any vehicle service.

Document exclusively reserved for dealer information. Internal distribution to be ensured by dealer.

Reproduction forbidden without the written agreement of STELLANTIS Group. (C) 2026 STELLANTIS Group. All Rights Reserved

(tdb)

SAFETY RECALL

NORTH AMERICA

Trailer Lighting and Trailer Brakes



Reference: 03D / NHTSA 26V-059

FCA US LLC

SERVICE PROCEDURE

(KM) Jeep Wagoneer S

(KM) Jeep Cherokee

WARNING: Part of this recall population contains BEV vehicles. Follow all safety precautions published in Service Library for the specific vehicle you are working on.

NOTE: It is not necessary to power down the battery system for trailer tow module replacement. Just be sure vehicle ignition is OFF and to clear any DTCs at the conclusion of this service procedure.

1. Position the front seats fully forward.
2. Open the rear doors.
3. Lift the rear seat lower cushion up at both front lower corners to disengage the front retainers securing the lower seat cushion to the vehicle floor (Figure 1).

NOTE: If any of the plastic seat cushion retainers break during lifting of the seat cushion, retainer part number is 06511626AA to replace them.

4. Lift the rear seat cushion up and support it for access to the trailer tow module (Figure 1).
5. Disconnect the wire harness connector from the trailer tow module (Figure 2).
6. Remove the three fastener nuts securing the trailer tow module to the vehicle floor (Figure 2).
7. Remove the trailer tow module from the vehicle (Figure 2).
8. Render the recalled trailer tow module unusable and **DISCARD**.
9. Obtain the **NEW** trailer tow module for the vehicle.
10. Install the **NEW** trailer tow module to the vehicle and tighten the three fastener nuts securely (Figure 2).
11. Connect the wire harness connector to the trailer tow module (Figure 2).
12. Align the rear seat cushion retainers on both front lower corners and secure the seat cushion assembly to the vehicle by pressing down on the rear seat cushion at both front lower corners (Figure 1).

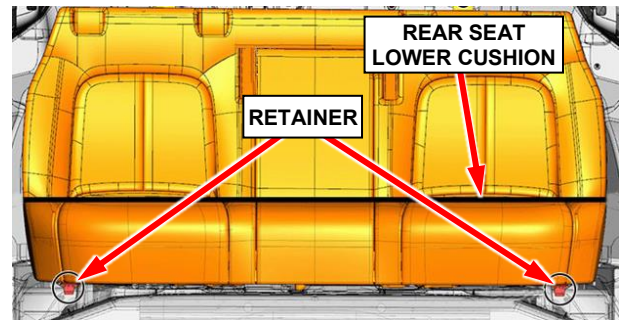


Figure 1 – Rear Seat Lower Cushion

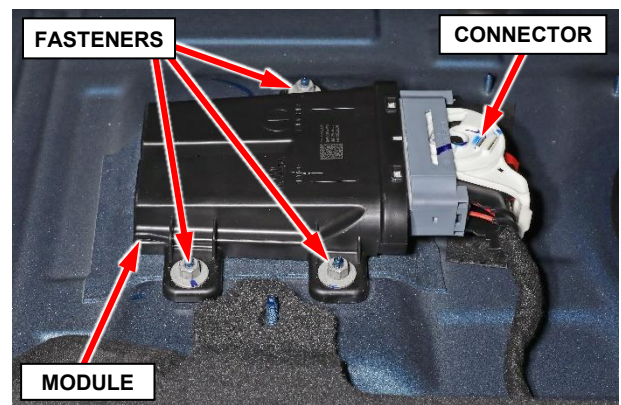


Figure 2 – Trailer Tow Module

SAFETY RECALL

NORTH AMERICA

Trailer Lighting and Trailer Brakes



Reference: 03D / NHTSA 26V-059

FCA US LLC

NOTE: The wiTECH scan tool must be used to perform this Recall. The wiTECH software is required to be at the latest release level before performing this procedure.

13. Open the hood. Install a battery charger which can also support 50-60 amps and verify that the charging rate provides 13.0 to 13.5 volts. Do not allow the charger to time out during the flash process. Set the battery charger timer (if so equipped) to continuous charge.

NOTE: Use an accurate stand-alone voltmeter. The battery charger volt meter may not be sufficiently accurate. Voltages outside of the specified range may cause unsuccessful wiTECH operation. If voltage reading is too high, apply an electrical load by activating the park or headlamps and/or HVAC blower motor to lower the voltage.

NOTE: The vehicle MUST NOT be connected to a high voltage battery charger during this process.

14. Connect the wiTECH micro pod II / MDP to the vehicle data link connector.
15. Place the ignition in the **"RUN"** position.
16. Open the wiTECH 2.0 website.
17. Enter your **"User id"** and **"Password"** and your **"Dealer Code"**, then select **"Sign In"** at the bottom of the screen. Click **"Accept"**.
18. From the **"Vehicle Selection"** screen, select the vehicle to be updated.
19. From the **"Action Items"** screen, select the **"Topology"** tab.
20. From the **"Topology"** tab, select the **"TTM"** module icon.
21. From the **"Guided Diagnostics"** menu, select **"Proxi Configuration Alignment"**, then follow the screen prompts.
22. Click **"View DTCs"**, select **"Clear All DTCs"**, click **"Continue"** and then click **"Close"**.
23. Place the ignition in the **"OFF"** position and then remove the wiTECH micro pod II / MDP device from the vehicle.
24. Remove the battery charger from the vehicle.
25. Close the engine compartment hood and return the vehicle to the customer or inventory.

Strictly respect STELLANTIS Group safety, cleanliness, and environmental instructions for any vehicle service.

Document exclusively reserved for dealer information. Internal distribution to be ensured by dealer.

Reproduction forbidden without the written agreement of STELLANTIS Group. (C) 2026 STELLANTIS Group. All Rights Reserved

(tdb)

SAFETY RECALL

NORTH AMERICA

Trailer Lighting and Trailer Brakes



Reference: 03D / NHTSA 26V-059

FCA US LLC

(DT) Ram 1500 Pickup Quad Cab and Crew Cab.

1. Position the front seats fully forward.
2. Open the rear doors.

NOTE: It is not necessary to disconnect the battery for trailer tow module replacement. Just be sure vehicle ignition is OFF and to clear any DTCs at the conclusion of this service procedure.

3. Remove the rear seats. Refer to the detailed service procedures available in DealerCONNECT/ Service Library under: Service Info> **23 – Body / Seats, Rear / Seat, Rear / Removal and Installation.**

NOTE: DISCARD any one time use seat and seatbelt fasteners.

4. Remove the rear cab back trim panel. Refer to the detailed service procedures available in DealerCONNECT/ Service Library under: Service Info> **23 – Body / Interior / PANEL, Back Trim / Removal and Installation** (Figure 3).
5. Disconnect the wire harness connector from the trailer tow module (Figure 4).
6. Remove the three fastener nuts securing the trailer tow module to the rear cab back panel (Figure 4).
7. Remove the trailer tow module from the vehicle (Figure 4).
8. Render the recalled trailer tow module unusable and **DISCARD**.
9. Obtain the **NEW** trailer tow module for the vehicle.
10. Install the **NEW** trailer tow module to the vehicle and tighten the three fastener nuts securely (Figure 4).
11. Connect the wire harness connector to the trailer tow module (Figure 4).
12. Install the back panel trim. Refer to the detailed service procedures available in DealerCONNECT/ Service Library under: Service Info> **23 - Body/Interior/PANEL, Back Trim/Removal and Installation** (Figure 3).
- NOTE: Use the NEW seat and seatbelt fasteners supplied in the C-Kits.**
13. Install the rear seats. Refer to the detailed service procedures available in DealerCONNECT/ Service Library under: Service Info> **23 – Body / Seats, Rear / Seat, Rear / Removal and Installation.**

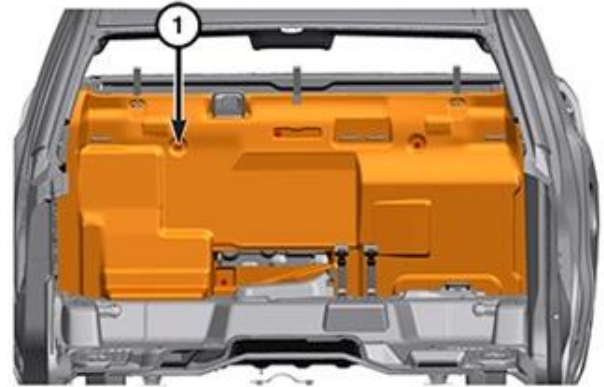


Figure 3 – Rear Cab Back Trim Panel

1 - Push Pins

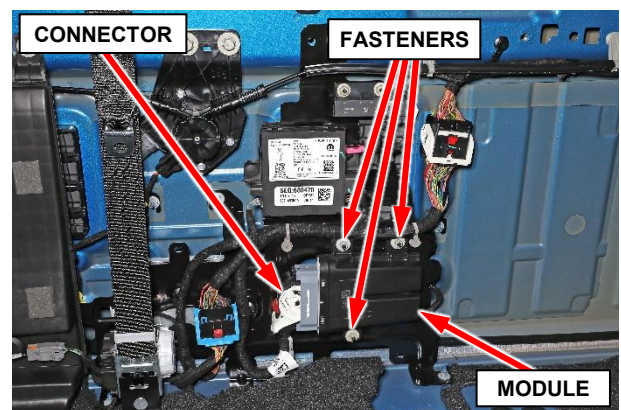


Figure 4 – Trailer Tow Module

SAFETY RECALL

NORTH AMERICA

Trailer Lighting and Trailer Brakes



Reference: 03D / NHTSA 26V-059

FCA US LLC

NOTE: The wiTECH scan tool must be used to perform this Recall. The wiTECH software is required to be at the latest release level before performing this procedure.

14. Open the hood. Install a battery charger which can also support 50-60 amps and verify that the charging rate provides 13.0 to 13.5 volts. Do not allow the charger to time out during the flash process. Set the battery charger timer (if so equipped) to continuous charge.

NOTE: Use an accurate stand-alone voltmeter. The battery charger volt meter may not be sufficiently accurate. Voltages outside of the specified range may cause unsuccessful wiTECH operation. If voltage reading is too high, apply an electrical load by activating the park or headlamps and/or HVAC blower motor to lower the voltage.

15. Connect the wiTECH micro pod II / MDP to the vehicle data link connector.
16. Place the ignition in the "RUN" position.
17. Open the wiTECH 2.0 website.
18. Enter your "User id" and "Password" and your "Dealer Code", then select "Sign In" at the bottom of the screen. Click "Accept".
19. From the "Vehicle Selection" screen, select the vehicle to be updated.
20. From the "Action Items" screen, select the "Topology" tab.
21. From the "Topology" tab, select the "ITCM" module icon.
22. From the "Guided Diagnostics" menu, select "Proxi Configuration Alignment", then follow the screen prompts.
23. Click "View DTCs", select "Clear All DTCs", click "Continue" and then click "Close".
24. Place the ignition in the "OFF" position and then remove the wiTECH micro pod II / MDP device from the vehicle.
25. Remove the battery charger from the vehicle.
26. Close the engine compartment hood and return the vehicle to the customer or inventory.

SAFETY RECALL

NORTH AMERICA

Trailer Lighting and Trailer Brakes



Reference: 03D / NHTSA 26V-059

FCA US LLC

(DJ) Ram 2500 Pickup

(D2) Ram 3500 Pickup

(DD) Ram 3500 Cab Chassis

(DP) Ram 4500/5500 Cab Chassis

Standard Cab

1. Open the doors.
2. Position the front seats fully forward and tilt seat backs forward.
3. Remove the two screws that secure the rear storage bin (Figure 5).
4. Lift up on storage bin to remove from vehicle (Figure 5).
5. Using a flat blade screwdriver rotate the tensioner quick connect screw counterclockwise to disconnect the seat belt retractor lower buckle to the tensioner cable (Figure 6).

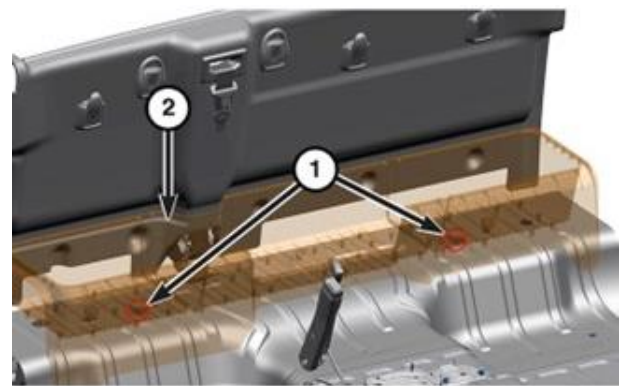


Figure 5 – Rear Storage Bin

- 1 - Fastener
- 2 - Storage Bin

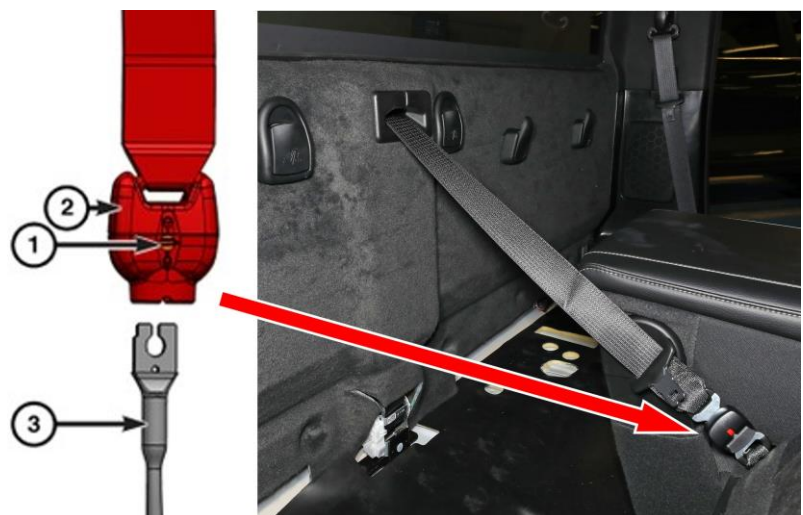


Figure 6 – Seat Belt Quick Connect

- 1 - Tensioner Quick Connect Screw
- 2 - Front Seat Belt Retractor Lower Buckle
- 3 - Tensioner Cable

SAFETY RECALL

NORTH AMERICA

Trailer Lighting and Trailer Brakes



Reference: 03D / NHTSA 26V-059

FCA US LLC

6. **Remove the lower B-pillar trim panel from only one side:** Using a trim stick or equivalent release the retaining clips from the B-pillar and slide the tensioner cable through the slit on the B-pillar trim panel then remove the lower B-pillar trim panel from vehicle (Figure 7).

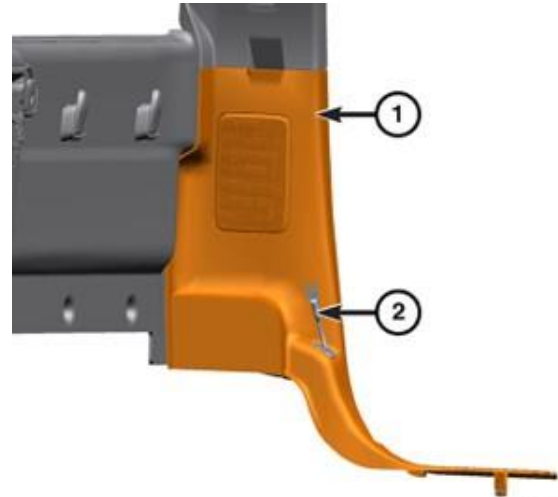


Figure 7 – Lower B-Pillar Trim Panel

- 1 - Lower B-Pillar Trim Panel
- 2 - Tensioner Cable

7. Using a trim stick or equivalent, release tabs and drop down the three hook covers (Figure 8).
8. Remove the three screws and remove the three hooks from the rear cab trim panel (Figure 8).
9. Using a trim stick or equivalent, release the seat belt trim ring from the back panel trim and slide the seat belt through the slit on bottom of the trim ring (Figure 8).

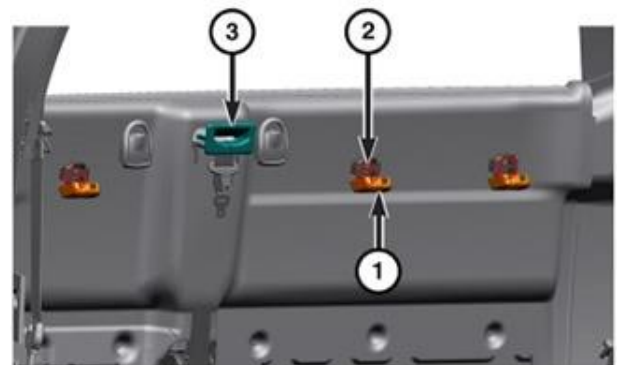


Figure 8 – Rear Cab Back Trim Panel

- 1 - Hook Covers
- 2 - Screws
- 3 - Seat Belt Trim Ring

SAFETY RECALL

NORTH AMERICA

Trailer Lighting and Trailer Brakes



Reference: 03D / NHTSA 26V-059

FCA US LLC

10. Remove the rear cab trim panel from vehicle (Figure 9).
 11. Disconnect the wire harness connector from the trailer tow module (Figure 10).
 12. Remove the fasteners from the trailer tow module (Figure 10).
 13. Remove the trailer tow module from the vehicle (Figure 10).
 14. Render the recalled trailer tow module unusable and **DISCARD**.
 15. Obtain the **NEW** trailer tow module for the vehicle.
 16. Install the **NEW** trailer tow module to the vehicle and tighten the three fastener nuts securely (Figure 10).
 17. Connect the wire harness connector to the trailer tow module (Figure 10).
 18. Install the rear cab trim panel to the vehicle (Figure 9).
 19. Slide the seat belt through the slit on bottom of the trim ring then install the seat belt trim ring to the back panel trim (Figure 8).
 20. Install the three hooks to the rear cab trim panel and tighten the screws securely then close the hook covers (Figure 8).
 21. All Position the lower B-pillar trim to the B-pillar, slide the tensioner cable through the slit on the lower B-pillar trim and seat the retaining clips fully into B-Pillar (Figure 7).
 22. Insert lower tensioner cable into the front seat belt retractor lower buckle until it latches into lock position (Figure 6).
 23. Install the rear storage bin and tighten the two screws securely (Figure 5).
- NOTE: The wiTECH scan tool must be used to perform this Recall. The wiTECH software is required to be at the latest release level before performing this procedure.**
24. Open the hood. Install a battery charger which can also support 50-60 amps and verify that the charging rate provides 13.0 to 13.5 volts. Do not allow the charger to time out during the flash process. Set the battery charger timer (if so equipped) to continuous charge.

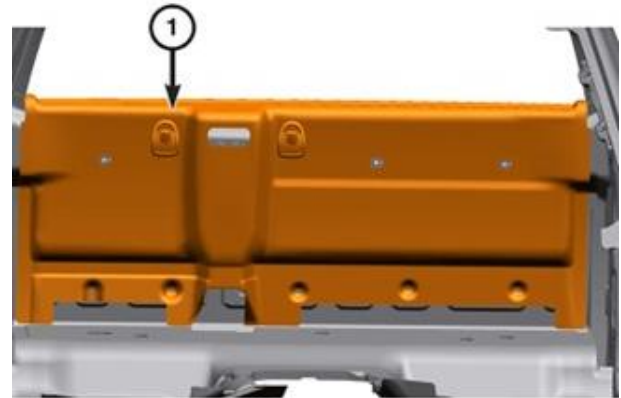


Figure 9 – Rear Cab Back Trim Panel

1 - Rear Cab Trim Panel

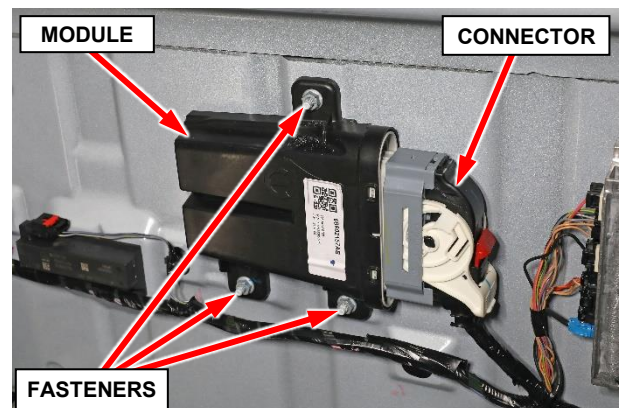


Figure 10 – Trailer Tow Module

SAFETY RECALL

NORTH AMERICA

Trailer Lighting and Trailer Brakes



Reference: 03D / NHTSA 26V-059

FCA US LLC

NOTE: Use an accurate stand-alone voltmeter. The battery charger volt meter may not be sufficiently accurate. Voltages outside of the specified range may cause unsuccessful wiTECH operation. If voltage reading is too high, apply an electrical load by activating the park or headlamps and/or HVAC blower motor to lower the voltage.

25. Connect the wiTECH micro pod II / MDP to the vehicle data link connector.
26. Place the ignition in the "**RUN**" position.
27. Open the wiTECH 2.0 website.
28. Enter your "**User id**" and "**Password**" and your "**Dealer Code**", then select "**Sign In**" at the bottom of the screen. Click "Accept".
29. From the "**Vehicle Selection**" screen, select the vehicle to be updated.
30. From the "**Action Items**" screen, select the "Topology" tab.
31. From the "**Topology**" tab, select the "ITCM" module icon.
32. From the "**Guided Diagnostics**" menu, select "**Proxi Configuration Alignment**", then follow the screen prompts.
33. Click "**View DTCs**", select "**Clear All DTCs**", click "**Continue**" and then click "**Close**".
34. Place the ignition in the "**OFF**" position and then remove the wiTECH micro pod II / MDP device from the vehicle.
35. Remove the battery charger from the vehicle.
36. Close the engine compartment hood and return the vehicle to the customer or inventory.

SAFETY RECALL

NORTH AMERICA

Trailer Lighting and Trailer Brakes



Reference: 03D / NHTSA 26V-059

FCA US LLC

(DJ) Ram 2500 Pickup

(D2) Ram 3500 Pickup

(DD) Ram 3500 Cab Chassis

(DP) Ram 4500/5500 Cab Chassis

Crew Cab

1. Position the front seats fully forward
2. Open the rear doors.
3. Remove the rear seats. Refer to the detailed service procedures available in DealerCONNECT/ Service Library under: Service Info> **23 – Body / Seats, Rear / Seat, Rear / Removal and Installation.**

NOTE: Discard any one time use seat and seatbelt fasteners.

4. Remove and **DISCARD** the three bolts that retain the three child seat tethers to the rear cab and remove tethers (Figure 11).
5. Remove the five push-pin fasteners and remove the rear cab trim panel (Figure 11).
6. Disconnect the wire harness connector from the trailer tow module (Figure 12).
7. Remove the three fastener nuts from the trailer tow module (Figure 12).
8. Remove the trailer tow module from the vehicle (Figure 12).
9. Render the recalled trailer tow module unusable and **DISCARD**.
10. Obtain the **NEW** trailer tow module for the vehicle.
11. Install the **NEW** trailer tow module to the vehicle and tighten the three fastener nuts securely (Figure 12).
12. Connect the wire harness connector to the trailer tow module (Figure 12).
13. Install the five push-pin fasteners that secure the rear cab trim panel (Figure 11).

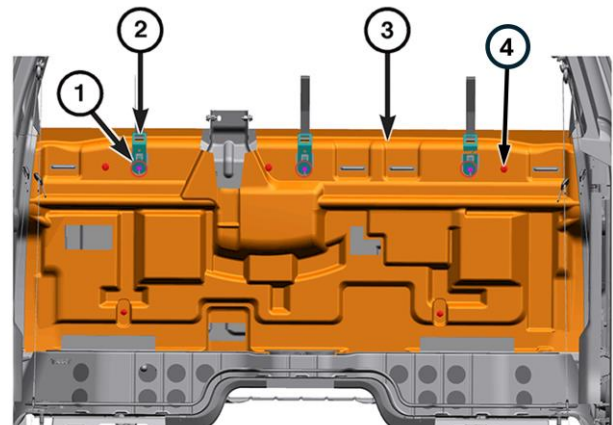


Figure 11 – Rear Cab Back Trim Panel

- 1 - Bolts
- 2 - Tether
- 3 - Rear Cab Trim Panel
- 4 - Push Pins

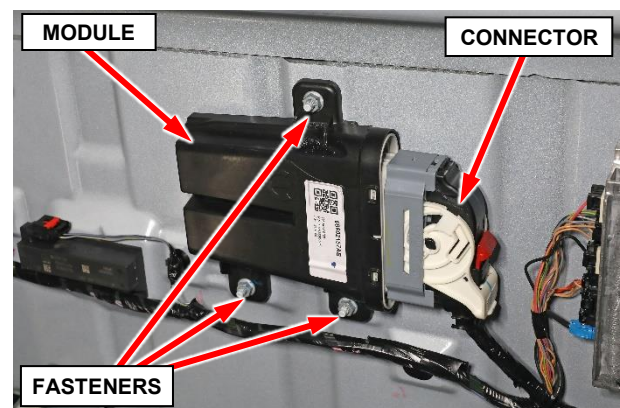


Figure 12 – Trailer Tow Module

SAFETY RECALL

NORTH AMERICA

Trailer Lighting and Trailer Brakes



Reference: 03D / NHTSA 26V-059

FCA US LLC

14. Install three **NEW** bolts that retain the three child seat tethers to the rear cab and tighten to 12 N·m (9 Ft. Lbs.) (Figure 11).

NOTE: Use the NEW seat and seatbelt fasteners supplied in the C-Kits.

15. Install the rear seats. Refer to the detailed service procedures available in DealerCONNECT/ Service Library under: Service Info> **23 – Body / Seats, Rear / Seat, Rear / Removal and Installation.**

NOTE: The wiTECH scan tool must be used to perform this Recall. The wiTECH software is required to be at the latest release level before performing this procedure.

16. Open the hood. Install a battery charger which can also support 50-60 amps and verify that the charging rate provides 13.0 to 13.5 volts. Do not allow the charger to time out during the flash process. Set the battery charger timer (if so equipped) to continuous charge.

NOTE: Use an accurate stand-alone voltmeter. The battery charger volt meter may not be sufficiently accurate. Voltages outside of the specified range may cause unsuccessful wiTECH operation. If voltage reading is too high, apply an electrical load by activating the park or headlamps and/or HVAC blower motor to lower the voltage.

17. Connect the wiTECH micro pod II / MDP to the vehicle data link connector.
18. Place the ignition in the “**RUN**” position.
19. Open the wiTECH 2.0 website.
20. Enter your “**User id**” and “**Password**” and your “**Dealer Code**”, then select “**Sign In**” at the bottom of the screen. Click “**Accept**”.
21. From the “**Vehicle Selection**” screen, select the vehicle to be updated.
22. From the “**Action Items**” screen, select the “**Topology**” tab.
23. From the “**Topology**” tab, select the “**ITCM**” module icon.
24. From the “**Guided Diagnostics**” menu, select “**Proxi Configuration Alignment**”, then follow the screen prompts.
25. Click “**View DTCs**”, select “**Clear All DTCs**”, click “**Continue**” and then click “**Close**”.
26. Place the ignition in the “**OFF**” position and then remove the wiTECH micro pod II / MDP device from the vehicle.
27. Remove the battery charger from the vehicle.
28. Close the engine compartment hood and return the vehicle to the customer or inventory.

SAFETY RECALL

NORTH AMERICA

Trailer Lighting and Trailer Brakes



Reference: 03D / NHTSA 26V-059

FCA US LLC

(DJ) Ram 2500 Pickup

(D2) Ram 3500 Pickup

Mega Cab

1. Position the front seats fully forward.
2. Open the rear doors.
3. Fold the rear seats down to forward folded position.
4. Remove the four nuts that secure the two rear seat gap hider doors. Remove the two gap hider doors from vehicle (Figure 13).
5. Open the rear storage bin lid and remove the three fasteners that secure the storage bin (Figure 13).
6. Lift up on the rear storage bin enough to disconnect the wire harness connector for the subwoofer if equipped and remove the rear storage bin from vehicle (Figure 13).

NOTE: ONE SIDE ONLY: Remove the lower C-Pillar outboard seat belt anchor and trim panel.

7. Remove and **DISCARD** the bolt securing the rear outboard seat belt anchor to the vehicle (Figure 14).

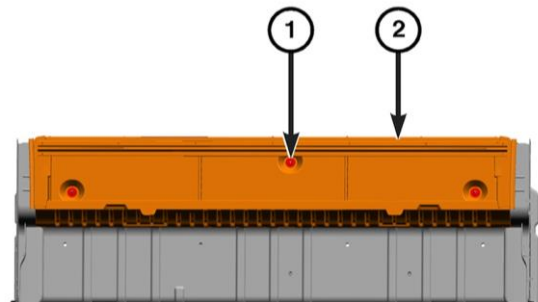


Figure 13 – Rear Storage Bin

- 1 - Fastener
- 2 - Storage Bin

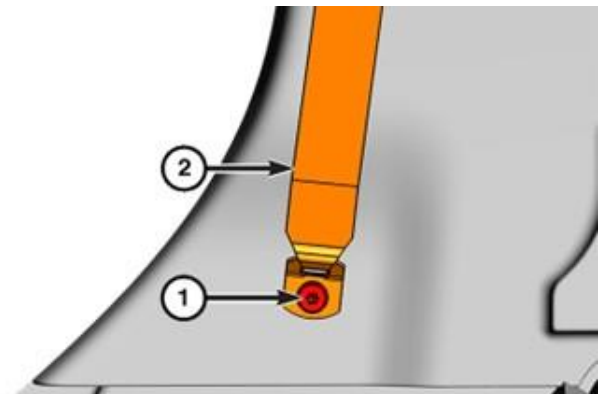


Figure 14 – C-Pillar Seat Belt Anchor

- 1 - Bolt
- 2 - Rear Outboard Seat Belt Anchor

SAFETY RECALL

NORTH AMERICA

Trailer Lighting and Trailer Brakes



Reference: 03D / NHTSA 26V-059

FCA US LLC

8. Separate the retaining clips from the pillar and slide forward to release two rear tabs to remove the lower C-pillar trim (Figure 15).



Figure 15 – Lower C-Pillar Trim Panel

1 - Lower C-Pillar Trim Panel

9. Using a trim stick or equivalent, release tabs and drop down the three hook covers (Figure 16).
10. Remove the three screws and remove the three hooks from the rear cab trim panel (Figure 16).



Figure 16 – Rear Cab Back Trim Panel

1 - Hook Covers

2 - Screws

3 - Hooks

SAFETY RECALL

NORTH AMERICA

Trailer Lighting and Trailer Brakes



Reference: 03D / NHTSA 26V-059

FCA US LLC

11. Remove the rear cab trim panel from vehicle (Figure 17).
12. Disconnect the wire harness connector from the trailer tow module (Figure 18).
13. Remove the three fastener nuts from the trailer tow module (Figure 18).
14. Remove the trailer tow module from the vehicle (Figure 18).
15. Render the recalled trailer tow module unusable and **DISCARD**.
16. Obtain the **NEW** trailer tow module for the vehicle.
17. Install the **NEW** trailer tow module to the vehicle and tighten the three fastener nuts securely (Figure 18).
18. Connect the wire harness connector to the trailer tow module (Figure 18).
19. Install the rear cab trim panel to the vehicle (Figure 17).
20. Install the three hooks to the rear cab trim panel and tighten the screws securely then close the hook covers (Figure 16).
21. Position the lower C-pillar trim panel sliding the rear tabs in the slots on the C-pillar and seat the retaining clips fully (Figure 15).
22. Install the rear seat belt retractor lower anchor and tighten the **NEW** fastener to 40 N·m (30 Ft. Lbs.) (Figure 14).
23. Connect the wire harness connector to the rear storage bin subwoofer if equipped, then position the rear storage bin in the vehicle (Figure 13).
24. Open the rear storage bin lid and install the three fasteners that secure the storage bin, tighten securely (Figure 13).
25. Install the two rear seat gap hider doors and tighten the four nuts securely.
26. Unfold the rear seats into the upright position.

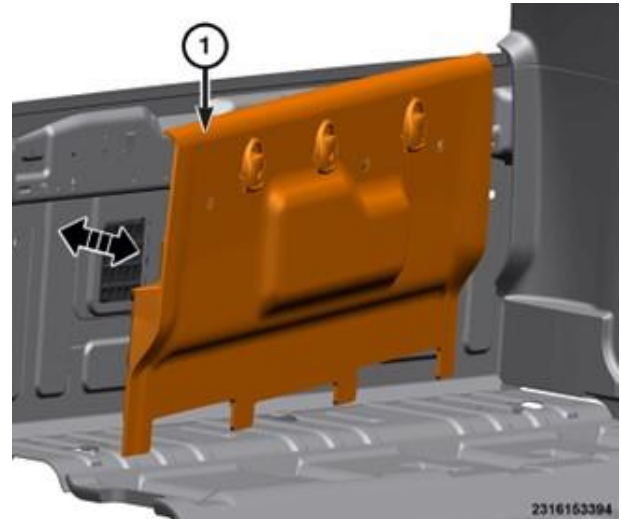


Figure 17 – Rear Cab Back Trim Panel

1 - Rear Cab Trim Panel

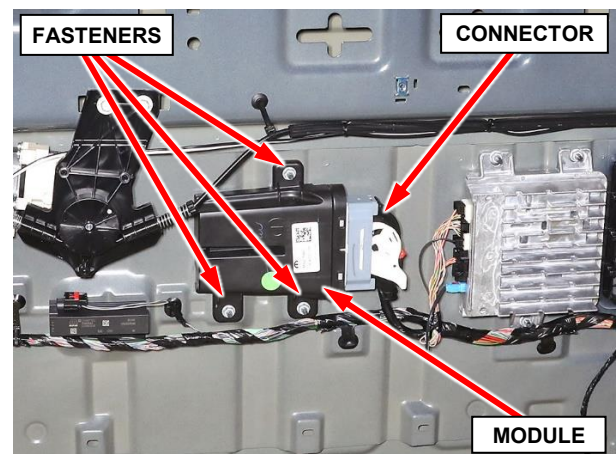


Figure 18 – Trailer Tow Module

SAFETY RECALL

NORTH AMERICA

Trailer Lighting and Trailer Brakes



Reference: 03D / NHTSA 26V-059

FCA US LLC

NOTE: The wiTECH scan tool must be used to perform this Recall. The wiTECH software is required to be at the latest release level before performing this procedure.

27. Open the hood. Install a battery charger which can also support 50-60 amps and verify that the charging rate provides 13.0 to 13.5 volts. Do not allow the charger to time out during the flash process. Set the battery charger timer (if so equipped) to continuous charge.

NOTE: Use an accurate stand-alone voltmeter. The battery charger volt meter may not be sufficiently accurate. Voltages outside of the specified range may cause unsuccessful wiTECH operation. If voltage reading is too high, apply an electrical load by activating the park or headlamps and/or HVAC blower motor to lower the voltage.

28. Connect the wiTECH micro pod II / MDP to the vehicle data link connector.
29. Place the ignition in the "RUN" position.
30. Open the wiTECH 2.0 website.
31. Enter your "User id" and "Password" and your "Dealer Code", then select "Sign In" at the bottom of the screen. Click "Accept".
32. From the "Vehicle Selection" screen, select the vehicle to be updated.
33. From the "Action Items" screen, select the "Topology" tab.
34. From the "Topology" tab, select the "ITCM" module icon.
35. From the "Guided Diagnostics" menu, select "Proxi Configuration Alignment", then follow the screen prompts.
36. Click "View DTCs", select "Clear All DTCs", click "Continue" and then click "Close".
37. Place the ignition in the "OFF" position and then remove the wiTECH micro pod II / MDP device from the vehicle.
38. Remove the battery charger from the vehicle.
39. Close the engine compartment hood and return the vehicle to the customer or inventory.

This notice applies to your vehicle,

[Model Year and Model]

VIN XXXXXXXXXXXXXXXXXXXX

03D/NHTSA 26V-059

LOGO

VEHICLE PICTURE

YOUR SCHEDULING OPTIONS

1. RECOMMENDED OPTION

Call your authorized Chrysler / Jeep® / Dodge / RAM Dealership.

2. Call the FCA Recall Assistance Center at 1-800-853-1403. An agent can confirm part availability and help schedule an appointment.

3. Visit recalls.mopar.com, scan the QR code below, or download the Mopar Owner’s Companion App.

QR Code

Get access to recall notifications, locate your nearest dealer, and more through this website or Mopar Owner’s Companion App. You will be asked to provide your Vehicle Identification Number (VIN) to protect and verify your identity. The last eight characters of your VIN are provided above.

DEALERSHIP INSTRUCTIONS

Please reference Safety Recall 03D.

IMPORTANT SAFETY RECALL

Trailer Lighting

Dear [Name],

This notice is sent to you in accordance with the National Traffic and Motor Vehicle Safety Act.

FCA US LLC has decided that a defect, which relates to motor vehicle safety, exists in certain [2024 through 2026 model year (KM) Jeep Wagoneer S and 2026 model year (KM) Jeep Cherokee] vehicles equipped with a trailer tow package.

It is extremely important to take steps now to repair your vehicle to ensure the safety of you and your passengers.

WHY DOES MY VEHICLE NEED REPAIRS?

The trailer tow module on your vehicle ^[1] may experience a loss of trailer lighting. The trailer turn signal will not flash when the vehicle turn signal lever is actuated and the trailer stop lights will not be activated upon application of the vehicle service brakes. **Trailer lighting that is not illuminated may result in an approaching vehicle being unaware of the change of direction or speed of the vehicle and trailer which may cause a vehicle crash without prior warning.**

HOW DO I RESOLVE THIS IMPORTANT SAFETY ISSUE?

FCA US LLC will repair your vehicle ^[2] free of charge (parts and labor). To do this, your dealer will replace the trailer tow module. The estimated repair time is one hour. In addition, your dealer will require your vehicle for proper check-in, preparation, and check-out during your visit, which may require more time. Your time is important to us, so we recommend that you schedule a service appointment to minimize your inconvenience. Ask your dealer for alternate transportation options while your vehicle is in service. Please bring this letter with you to your dealership.

TO SCHEDULE YOUR FREE REPAIR, CALL YOUR CHRYSLER, JEEP®, DODGE OR RAM DEALER TODAY

WHAT IF I ALREADY PAID TO HAVE THIS REPAIR COMPLETED?

If you have already experienced this specific condition and have paid to have it repaired, you may visit www.fcarecallreimbursement.com to submit your reimbursement request online. ^[3] Once we receive and verify the required documents, reimbursement will be sent to you within 60 days. If you have had previous repairs performed and/or already received reimbursement, you may still need to have the recall repair performed.

We apologize for any inconvenience, but are sincerely concerned about your safety. Thank you for your attention to this important matter.

Customer Assistance/Field Operations
FCA US LLC



Mr. Mrs. Customer
1234 Main Street
Hometown, MI 48371

[1] If you no longer own this vehicle, please help us update our records. Call the FCA Recall Assistance Center at 1-800-853-1403 to update your information.

[2] If your dealer fails or is unable to remedy this defect without charge and within a reasonable time, you may submit a written complaint to the Administrator, National Highway Traffic Safety Administration, 1200 New Jersey Ave., S.E., Washington, DC 20590, or you can call the toll-free Vehicle Safety Hotline at 1-888-327-4236 (TTY 1-888-275-9171), or go to safercar.gov.

[3] You can also mail in your original receipts and proof of payment to the following address for reimbursement consideration: FCA Customer Assistance, P.O. Box 21-8004, Auburn Hills, MI 48321-8007, Attention: Recall Reimbursement.

Note to lessors receiving this recall notice: Federal regulation requires that you forward this recall notice to the lessee within 10 days.

This notice applies to your vehicle,

[Model Year and Model]

VIN XXXXXXXXXXXXXXXXXXXX

03D/NHTSA 26V-059

LOGO

VEHICLE PICTURE

YOUR SCHEDULING OPTIONS

1. RECOMMENDED OPTION

Call your authorized Chrysler / Jeep® / Dodge / RAM Dealership.

2. Call the FCA Recall Assistance Center at 1-800-853-1403. An agent can confirm part availability and help schedule an appointment.

3. Visit recalls.mopar.com, scan the QR code below, or download the Mopar Owner’s Companion App.

QR Code

Get access to recall notifications, locate your nearest dealer, and more through this website or Mopar Owner’s Companion App. You will be asked to provide your Vehicle Identification Number (VIN) to protect and verify your identity. The last eight characters of your VIN are provided above.

DEALERSHIP INSTRUCTIONS

Please reference Safety Recall 03D.

IMPORTANT SAFETY RECALL

Trailer Lighting and Trailer Brakes

Dear [Name],

This notice is sent to you in accordance with the National Traffic and Motor Vehicle Safety Act.

FCA US LLC has decided that a defect, which relates to motor vehicle safety, exists in certain [2025 and 2026 model year (DT) Ram 1500 Pickup, (DJ) Ram 2500 Pickup, (D2) Ram 3500 Pickup, and (DD) Ram 3500 Cab Chassis] vehicles equipped with a trailer tow package.

It is extremely important to take steps now to repair your vehicle to ensure the safety of you and your passengers.

WHY DOES MY VEHICLE NEED REPAIRS?

The trailer tow module on your vehicle ^[1] may experience a loss of trailer lighting and trailer brakes. The trailer turn signal will not flash when the vehicle turn signal lever is actuated and the trailer stop lights will not be activated upon application of the vehicle service brakes. In addition, if equipped, the trailer brakes will not function. **Trailer lighting that is not illuminated may result in an approaching vehicle being unaware of the change of direction or speed of the vehicle and trailer which may cause a vehicle crash without prior warning. The loss of trailer brakes can also cause a vehicle crash without a prior warning.**

HOW DO I RESOLVE THIS IMPORTANT SAFETY ISSUE?

FCA US LLC will repair your vehicle ^[2] free of charge (parts and labor). To do this, your dealer will replace the trailer tow module. The estimated repair time is one hour. In addition, your dealer will require your vehicle for proper check-in, preparation, and check-out during your visit, which may require more time. Your time is important to us, so we recommend that you schedule a service appointment to minimize your inconvenience. Ask your dealer for alternate transportation options while your vehicle is in service. Please bring this letter with you to your dealership.

TO SCHEDULE YOUR FREE REPAIR, CALL YOUR CHRYSLER, JEEP®, DODGE OR RAM DEALER TODAY

WHAT IF I ALREADY PAID TO HAVE THIS REPAIR COMPLETED?

If you have already experienced this specific condition and have paid to have it repaired, you may visit www.fcarecallreimbursement.com to submit your reimbursement request online. ^[3] Once we receive and verify the required documents, reimbursement will be sent to you within 60 days. If you have had previous repairs performed and/or already received reimbursement, you may still need to have the recall repair performed.

We apologize for any inconvenience, but are sincerely concerned about your safety. Thank you for your attention to this important matter.

Customer Assistance/Field Operations
FCA US LLC



Mr. Mrs. Customer
1234 Main Street
Hometown, MI 48371

[1] If you no longer own this vehicle, please help us update our records. Call the FCA Recall Assistance Center at 1-800-853-1403 to update your information.

[2] If your dealer fails or is unable to remedy this defect without charge and within a reasonable time, you may submit a written complaint to the Administrator, National Highway Traffic Safety Administration, 1200 New Jersey Ave., S.E., Washington, DC 20590, or you can call the toll-free Vehicle Safety Hotline at 1-888-327-4236 (TTY 1-888-275-9171), or go to safercar.gov.

[3] You can also mail in your original receipts and proof of payment to the following address for reimbursement consideration: FCA Customer Assistance, P.O. Box 21-8004, Auburn Hills, MI 48321-8007, Attention: Recall Reimbursement.

Note to lessors receiving this recall notice: Federal regulation requires that you forward this recall notice to the lessee within 10 days.

This notice applies to your vehicle,

[Model Year and Model]

VIN XXXXXXXXXXXXXXXXXXXX

03D/NHTSA 26V-059

LOGO

VEHICLE PICTURE

YOUR SCHEDULING OPTIONS

- 1. RECOMMENDED OPTION**
Call your authorized BusinessLink dealer.
- 2. Call the FCA Recall Assistance Center at 1-800-853-1403.** An agent can confirm part availability and help schedule an appointment.
- 3. Visit recalls.mopar.com, scan the QR code below, or download the Mopar Owner's Companion App.**

QR Code

Get access to recall notifications, locate your nearest dealer, and more through this website or Mopar Owner's Companion App. You will be asked to provide your Vehicle Identification Number (VIN) to protect and verify your identity. The last eight characters of your VIN are provided above.

DEALERSHIP INSTRUCTIONS

Please reference Safety Recall 03D.

IMPORTANT SAFETY RECALL

Trailer Lighting and Trailer Brakes

Dear [Name],

This notice is sent to you in accordance with the National Traffic and Motor Vehicle Safety Act.

FCA US LLC has decided that a defect, which relates to motor vehicle safety, exists in certain [2025 and 2026 model year (DP) Ram 4500/5500 Cab Chassis] vehicles equipped with a trailer tow package.

It is extremely important to take steps now to repair your vehicle to ensure the safety of you and your passengers.

WHY DOES MY VEHICLE NEED REPAIRS?

The trailer tow module on your vehicle ^[1] may experience a loss of trailer lighting and trailer brakes. The trailer turn signal will not flash when the vehicle turn signal lever is actuated and the trailer stop lights will not be activated upon application of the vehicle service brakes. In addition, if equipped, the trailer brakes will not function. **Trailer lighting that is not illuminated may result in an approaching vehicle being unaware of the change of direction or speed of the vehicle and trailer which may cause a vehicle crash without prior warning. The loss of trailer brakes can also cause a vehicle crash without a prior warning.**

HOW DO I RESOLVE THIS IMPORTANT SAFETY ISSUE?

FCA US LLC will repair your vehicle ^[2] free of charge (parts and labor). To do this, your dealer will replace the trailer tow module. The estimated repair time is one hour. In addition, your dealer will require your vehicle for proper check-in, preparation, and check-out during your visit, which may require more time. Your time is important to us, so we recommend that you schedule a service appointment to minimize your inconvenience. Ask your dealer for alternate transportation options while your vehicle is in service. Please bring this letter with you to your dealership.

**TO SCHEDULE YOUR FREE REPAIR,
CALL YOUR BUSINESSLINK DEALER TODAY**

WHAT IF I ALREADY PAID TO HAVE THIS REPAIR COMPLETED?

If you have already experienced this specific condition and have paid to have it repaired, you may visit www.fcarecallreimbursement.com to submit your reimbursement request online. ^[3] Once we receive and verify the required documents, reimbursement will be sent to you within 60 days. If you have had previous repairs performed and/or already received reimbursement, you may still need to have the recall repair performed.

We apologize for any inconvenience, but are sincerely concerned about your safety. Thank you for your attention to this important matter.

Customer Assistance/Field Operations
FCA US LLC



Mr. Mrs. Customer
1234 Main Street
Hometown, MI 48371

[1] If you no longer own this vehicle, please help us update our records. Call the FCA Recall Assistance Center at 1-800-853-1403 to update your information.

[2] If your dealer fails or is unable to remedy this defect without charge and within a reasonable time, you may submit a written complaint to the Administrator, National Highway Traffic Safety Administration, 1200 New Jersey Ave., S.E., Washington, DC 20590, or you can call the toll-free Vehicle Safety Hotline at 1-888-327-4236 (TTY 1-888-275-9171), or go to safercar.gov.

[3] You can also mail in your original receipts and proof of payment to the following address for reimbursement consideration: FCA Customer Assistance, P.O. Box 21-8004, Auburn Hills, MI 48321-8007, Attention: Recall Reimbursement.

Note to lessors receiving this recall notice: Federal regulation requires that you forward this recall notice to the lessee within 10 days.