



RRC-72-26-001-1: Inspect 2nd Row Seat Belt Fastener, R1T

Rivian has decided that a defect which relates to motor vehicle safety exists in certain model year 2022-2026 R1T vehicles. On these vehicles, an anchorage for the 2nd row seat belt retractor may not have been properly installed during the vehicle manufacturing process. This condition may increase the chance of injury in a vehicle crash. Rivian is not aware of any crashes, injuries, or fatalities related to this condition. Pursuant to its recall determination, Rivian will inspect the potentially affected vehicles and, if necessary, install the fastener or replace the seat belt.


Document Type	Safety Recall Bulletin
Date	January 9, 2026
Affected Region(s)	USA, Canada
Affected Model(s)	R1T
Model Year(s)	2022-2026
Approximate Build Dates	September 2021-May 2025
 Refer to Open Containments in ServiceOS to determine if this document applies to a specific vehicle.	
Vehicle System	72 - Occupant Protection

Potentially Required Parts

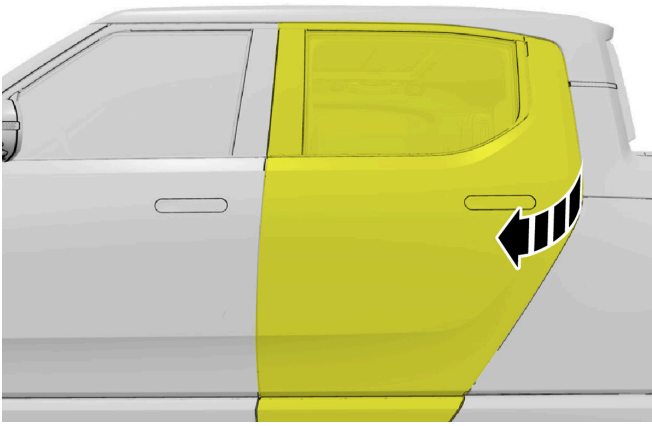
Part Number	Quantity	Engineering Name	Service Name/Notes
SC00014311-A	1-2	BOLT - M10X1.5X21.45 BTN FL TI MAT ADH CL010.9 R107G	
Refer to the parts catalog for part number and inventory information.	1		Seat Belt, 2nd Row, LH
Refer to the parts catalog for part number and inventory information.	1		Seat Belt, 2nd Row, RH

 **Attention:** The parts listed in this table are only for unique steps that are called out in this bulletin. Some sections of this bulletin might refer to Service Manual procedures which require additional parts. Always review the bulletin and all potentially related Service Manual procedures before ordering parts and beginning work.

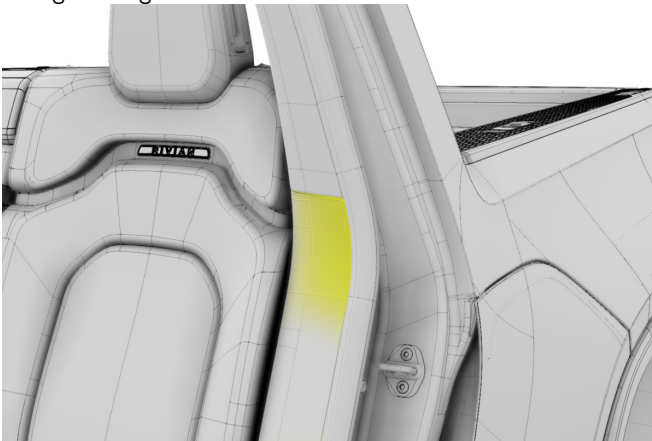
Inspection

 **Note:** Perform the steps in this section on both sides of the vehicle.

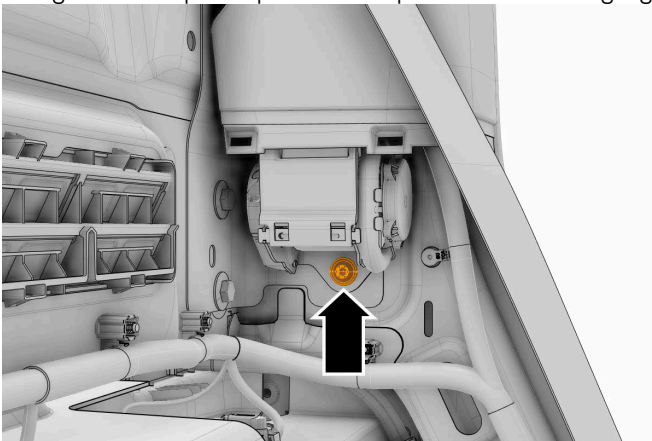
1.



2. Using a wedge tool:



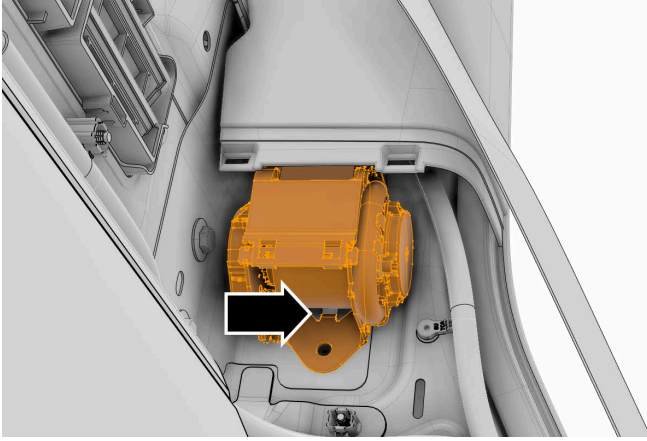
3. Using a borescope: Inspect for the presence of the highlighted fastener.



- If the fastener is present: No additional work is required on this side of the vehicle.
- If the fastener is missing: Continue to the next step.

4. Remove: Trim Panel, C-Pillar, Lower (refer to service manual procedure 642822010).

5. Check that the tab on the retractor is within the slot shown.



- If the tab on the retractor is within the slot: Install:



- If the tab on the retractor is not within the slot: Replace: Seat Belt, 2nd Row (refer to service manual procedure 721030010).

6. Reinstall all components that were removed for access and replace all non-reusable components. Refer to the service manual procedures referenced in this document for additional component reusability information and torque specifications.

Torque specifications in this section

Step Number	Torque (Nm)
5	35

Labor Codes

Labor Code	Description
RRC722600100	RRC-72-26-001 not applicable
RRC722600101	Inspect LH and RH 2nd row seat belt fasteners; no additional work required
RRC722600102	Inspect LH and RH 2nd row seat belt fasteners; install LH fastener only
RRC722600103	Inspect LH and RH 2nd row seat belt fasteners; install RH fastener only
RRC722600104	Inspect LH and RH 2nd row seat belt fasteners; install LH and RH fasteners
RRC722600105	Inspect LH and RH 2nd row seat belt fasteners; replace LH seat belt only
RRC722600106	Inspect LH and RH 2nd row seat belt fasteners; replace RH seat belt only
RRC722600107	Inspect LH and RH 2nd row seat belt fasteners; install LH fastener and replace RH seat belt
RRC722600108	Inspect LH and RH 2nd row seat belt fasteners; install RH fastener and replace LH seat belt
RRC722600109	Inspect LH and RH 2nd row seat belt fasteners; replace LH and RH seat belts