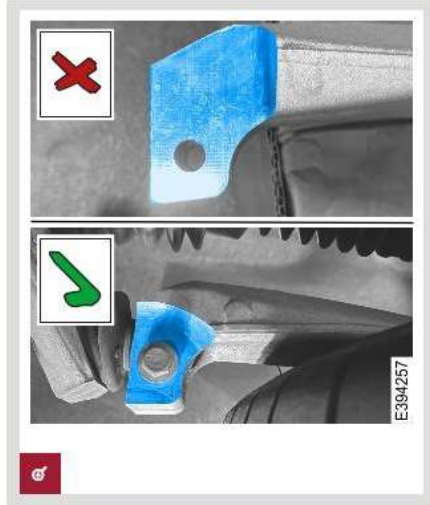


SAFETY RECALL N759v8 / D041 CAREPOINTS

Range Rover

- 14MY-16MY Range Rover

SERVICE INSPECTION 1



1.

ⓘ CAUTIONS:

- The vehicle may have either type of front wheel knuckle installed, both types of front wheel knuckles could be installed on the vehicle.
- Both front wheel knuckles must be inspected. The vehicle may have a different type of front wheel knuckle installed on the left side to the right side.

Inspect the front right wheel knuckle.

- If the front right wheel knuckle is the type shown in the illustration with the GREEN ✓, it has **PASSED** service inspection 1. No further action is required for the front right wheel knuckle, continue to the next step.
- If the front right wheel knuckle is the type shown in the illustration with the RED X, it has **FAILED** service inspection 1. Continue to the next step.

- There are two different suppliers that have produced steering knuckles for these vehicles.
- Only one supplier parts are affected by this recall.

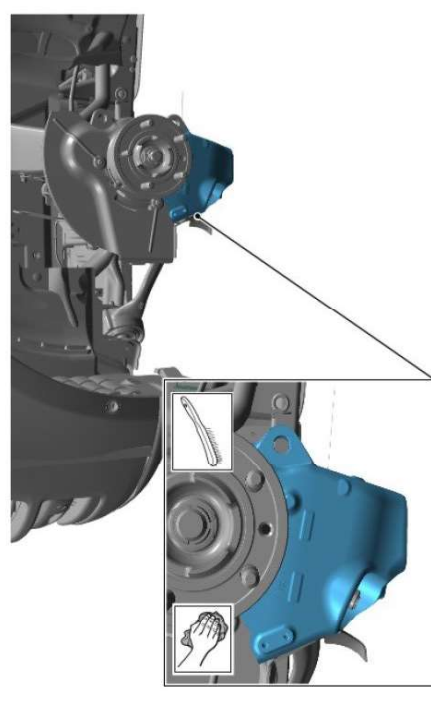
SAFETY RECALL N759V8 / D041 CAREPOINTS

Range Rover

- 14MY-16MY Range Rover

SERVICE INSPECTION 2

Only complete Service Inspection 2 for the wheel knuckle(s) that have FAILED Service Inspection 1.



E405754

Inspect the front wheel knuckle part number.

- If the front wheel knuckle part number is any of the following part numbers, the front wheel knuckle has FAILED Service Inspection 2, continue to step 7.
 - CPLA-3K185-BA, CPLA-3K186-BA, DPLA-3K185-BA or DPLA-3K186-BA.
- If the front wheel knuckle part number is any of the following part numbers, the front wheel knuckle has PASSED Service Inspection 2, continue to step 6.
 - CPLA-3K185-BB, CPLA-3K186-BB or a suffix that starts with an A (xxxx-xxxxx-Ax).



E405755

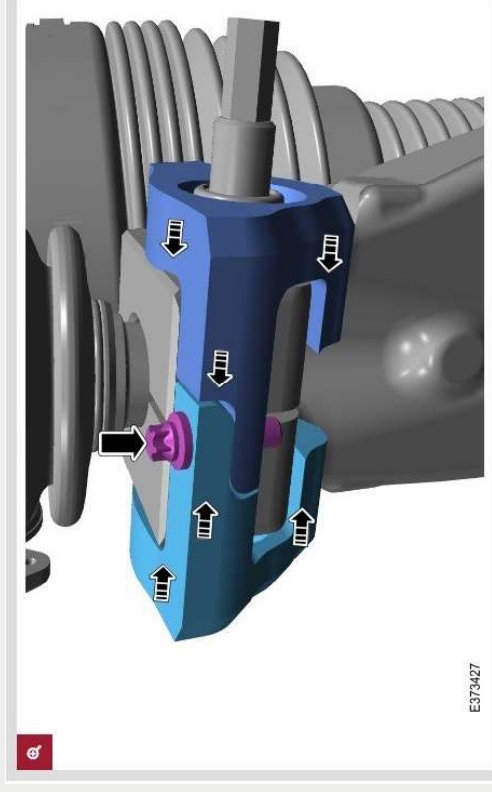
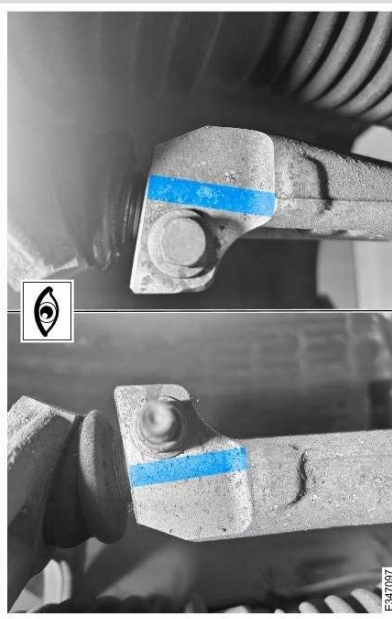


E405756

- Only carry on to service inspection 3 if the steering knuckle has failed service inspection 2

SAFETY RECALL N759v8 / D041 CAREPOINTS

Range Rover
 • 14MY-16MY Range Rover



Service Inspection 3

- Only perform this procedure for vehicles that fail service inspections 1 and 2
- Check the sides and top of the steering knuckle for signs of cracking
- Any knuckle found to be cracked should be replaced
- Only knuckles without cracks should have a bracket installed
- New replacement knuckles **DO NOT** require a bracket to be installed

