

Bulletin #: AS-33-25		<input type="checkbox"/> Take Note <input checked="" type="checkbox"/> Take Action	
<input type="checkbox"/> Retail Operator	<input type="checkbox"/> Sales Pre-Owned	<input checked="" type="checkbox"/> Business Manager	<input checked="" type="checkbox"/> Parts & Accessories
<input checked="" type="checkbox"/> General Manager	<input type="checkbox"/> Sales New Bike	<input checked="" type="checkbox"/> Service	<input type="checkbox"/> Administration
Name:		Phone Number:	
Title:		Source: Parts Logistics	
Email:			
Date: 4/23/2025		Supersedes: -	

TEC758 STEERING DAMPER

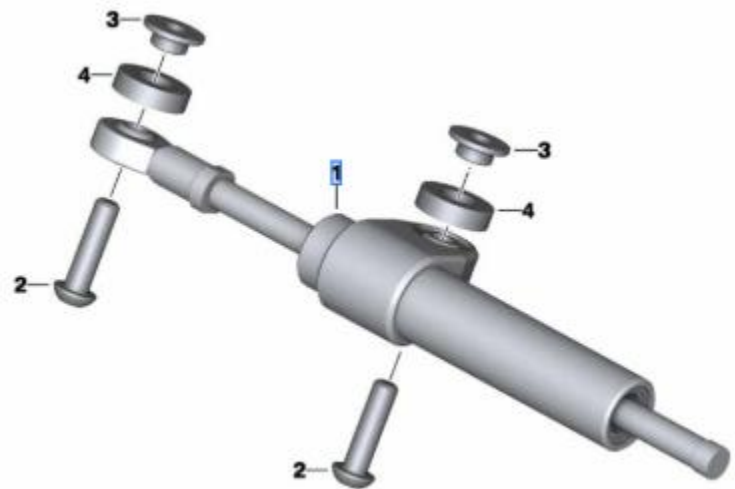
INSPECT OF ALL PARTS ON STOCK

OVERVIEW

BMW AG has requested the inspection of all dealer stock of the part numbers listed below to ensure all of the old parts in stock are returned.

Description	Old Part Number	New Part Number
Steering Damper	32 76 7 108 148	32 76 5 B81 FD4
Steering Damper	32 76 1 664 531	32 76 5 B81 FD3

- The image to the right shows the parts as depicted in ETK. Please see under "MORE DETAILS" section for information to determine affected stock to be returned.
- Affected stock must not be sold or installed on any motorcycle.
- Affected is all stock of new spare parts shipped and delivered to date only.
- Please return all incorrect part(s) to your facing Regional Distribution Center (RDC). Submit for return using a YR26 damage claim with order reason BM2. A valid BMW delivery and delivery item number must be



MAKE LIFE A RIDE



**BMW
MOTORRAD**

entered, and 'TEC758' must appear in the text of your TEC claim. For assistance locating the delivery number, please open an IDS ticket with Dealer Services in the Claims section directed to Returns/Claims/Quality.

MORE DETAILS

- TEC758 is valid from April 23, 2025, through May 14, 2025. The deadline for filing a claim under TEC758 is May 13, 2025.
- All parts must be returned to your facing RDC no later than May 28, 2025.
- Please re-order as needed.

Affected Parts (NOT OK)	Non Affected Parts (OK)
<p>Old Part Numbers</p> <p>7108148 1664531</p>	<p>New Part Numbers</p> <p>5B81FD4 5B81FD3</p>

MORE QUESTIONS?

Aftersales Business Development Manager		
Material Planning and Parts Logistics Analyst		

MAKE LIFE A RIDE