

July 9, 2025

Version 2

## Safety Recall: 2014–20 MDX and 2017–20 MDX Sport Hybrid Moisture in the Inner Taillights

Supersedes 25-001 dated April 18, 2025 to revise the information highlighted in **yellow**.

### APPLIES TO

Year	Model	Trim Level	VIN Range
2014–20	MDX	ALL	Check iN VIN status inquiry for eligibility.
2017–20	MDX Sport Hybrid	ALL	Check iN VIN status inquiry for eligibility.

### REVISION SUMMARY

- Under TOOL INFORMATION, the note has been updated.
- Under WARRANTY INFORMATION, the failed part numbers have been updated.
- Under REPAIR PROCEDURE, steps 16 and 22 have been updated.
- Under REPAIR PROCEDURE, Repair B, the image in step 21 has been updated.
- Under REPAIR PROCEDURE, a note was added after step 30.

### BACKGROUND

An uneven sealing surface allows moisture to enter the inner taillight(s), causing one or both of the inner taillights to malfunction.

### CLIENT NOTIFICATION

Owners of affected vehicles will be sent a notification of this safety recall.

Do an iN VIN status inquiry to make sure the vehicle is shown as eligible.

Some vehicles affected by this campaign may be in your new or used vehicle inventory. Failure to repair a vehicle subject to a recall or campaign may subject your dealership to claims or lawsuits from the client or anyone else harmed as a result of such failure. To see if a vehicle in inventory is affected by this safety recall, do a VIN status inquiry before selling it.

### CORRECTIVE ACTION

Inspect both the left and right inner taillights and install the inner taillight sub harness. Based on the inspection, some vehicles will require an inner taillight replacement.

**CLIENT INFORMATION:** The information in this bulletin is intended for use only by skilled technicians who have the proper tools, equipment, and training to correctly and safely maintain your vehicle. These procedures should not be attempted by “do-it-yourselfers,” and you should not assume this bulletin applies to your vehicle, or that your vehicle has the condition described. To determine whether this information applies, contact an authorized Acura automobile dealer.

## PARTS INFORMATION

Part Name	Part Number	Quantity
Right Inner Taillight (RIGHT LID LIGHT ASSEMBLY)	34150-TZ5-H04	1
Left Inner Taillight (LEFT LID LIGHT ASSEMBLY)	34155-TZ5-H04	1
(A-Spec) Right Inner Taillight (RIGHT LID LIGHT ASSEMBLY)	34150-TZ5-A73	1
(A-Spec) Left Inner Taillight (LEFT LID LIGHT ASSEMBLY)	34155-TZ5-A73	1
Inner Taillight Repair Kit	06340-TZ5-A01	1
Fuse (7.5A) (depending on trim level)	38221-SNA-A31	1
Fuse (10A) (depending on trim level)	38221-SNA-A41	1

## REQUIRED MATERIALS

Part Name	Part Number	Quantity
Penguin 353 Sealer	08712-0010	1 (One Tube Will Repair 50 Vehicles)
Masking Tape	Commercially available	1

## TOOL INFORMATION

Tool Name	Tool Number	Quantity
Sealant Template	07AAJ-TZ5A200	1
Body Clip (To hold the template)	91501-S04-003	2
3M Stripe Off Wheel with Hardware	MMM07498	1
3M Stripe Off Wheel (Wheel only)	MMM07499	1

### NOTE:

- The maximum recommended RPM for the 3M Stripe Wheel is **4,000 RPM**.
- Each 3M Stripe Off Wheel can be used on **20 VINS** (10 VINS on each side of the wheel).
- These tools have been auto-shipped to your dealer. Contact the Special Tools Hotline (833) 949-4672 and/or email [special\\_tools@ahm.honda.com](mailto:special_tools@ahm.honda.com) for information.

**WARRANTY CLAIM INFORMATION****REPAIR PROCEDURE A**

Operation Number	Description	Flat Rate Time	Defect Code	Symptom Code	Template ID	Failed Part Number
7141G0	Replace sub harness only (includes inspection).	0.5 hr	6MM00	FLI00	B25001A	32109-TZ5-A01

**REPAIR PROCEDURE B – NON-A-SPEC**

7141G1	Replace sub harness, & left inner taillight (includes inspection)	0.7 hr	6MM00	FLI00	B25001B	34155-TZ5-A72
7141G2	Replace sub harness, & right inner taillight (includes inspection)	0.7 hr			B25001C	34150-TZ5-A72
7141G7	Replace sub harness, both inner taillights, & fuse (includes inspection)	0.9 hr			B25001D	34155-TZ5-A72

**REPAIR PROCEDURE B – A-SPEC**

7141G1	Replace sub harness, & left inner taillight (includes inspection)	0.7 hr	6MM00	FLI00	B25001E	34155-TZ5-A72
7141G2	Replace sub harness, & right inner taillight (includes inspection)	0.7 hr			B25001F	34150-TZ5-A72
7141G7	Replace sub harness, both inner taillights, & fuse (includes inspection)	0.9 hr			B25001G	34155-TZ5-A72

## INSPECTION PROCEDURE

Complete the Functional Inspection and Moisture Inspection to determine a repair direction.

### Functional Inspection

1. Check the right-inner taillight to see if it is working properly.
2. Check the left-inner taillight to see if it is working properly.
3. If both inner taillights are not working, replace both inner taillights.

### Moisture Inspection

4. Inspect the inner taillights for any signs of moisture inside. Below are two methods to help with this inspection.

#### Method 1

Check to see if any of the following examples of moisture apply to the client's vehicle:



**Method 2**

Using a flashlight in the shown location on the tailgate, look for water marks on the chrome portion of the taillight or staining on the wiring harness.



TAILGATE



CHROME

HARNES

5. Determine the repair direction:

Inspection Results	Repair Direction
The inner taillights are working, and no moisture was detected.	Do <b>REPAIR A</b> to install the new sub harness.
The inner taillight(s) is not working.	Do <b>REPAIR B</b> to install the new sub harness and replace the failed inner taillight(s).
The inner taillight(s) has moisture inside.	
Both inner taillights are not working and small light fuse is blown.	Do <b>REPAIR B</b> to install the new sub harness, replace both inner taillights, and replace the fuse.

## REPAIR PROCEDURE

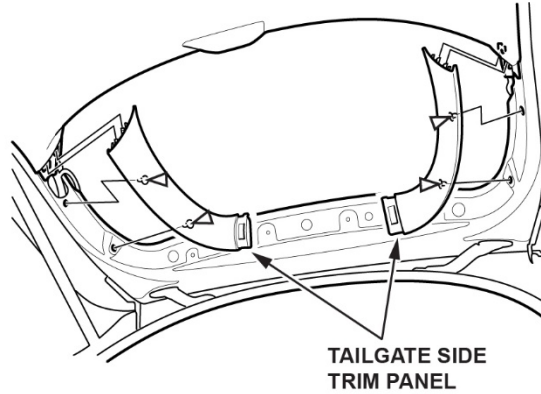
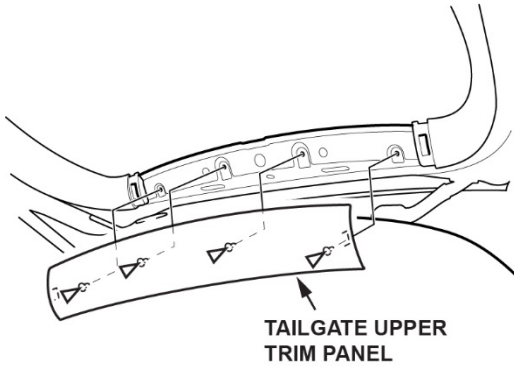
### REPAIR A

1. Open the tailgate.

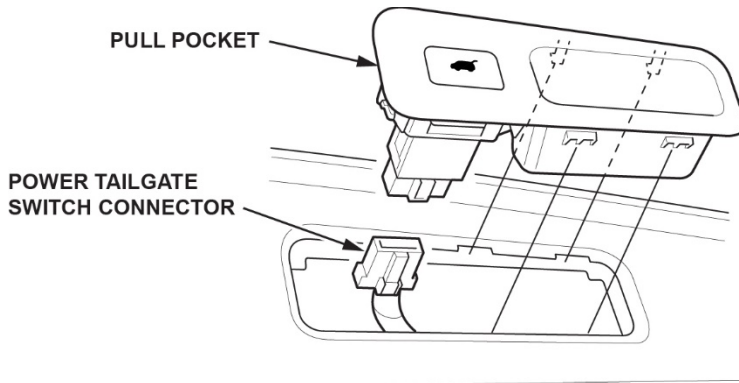
#### NOTICE

To prevent damage to the tailgate support struts, **do not** use the power tailgate function (if equipped) during the repair. Open and close the tailgate manually.

2. Remove the tailgate upper trim panel, then remove the side trim panels.



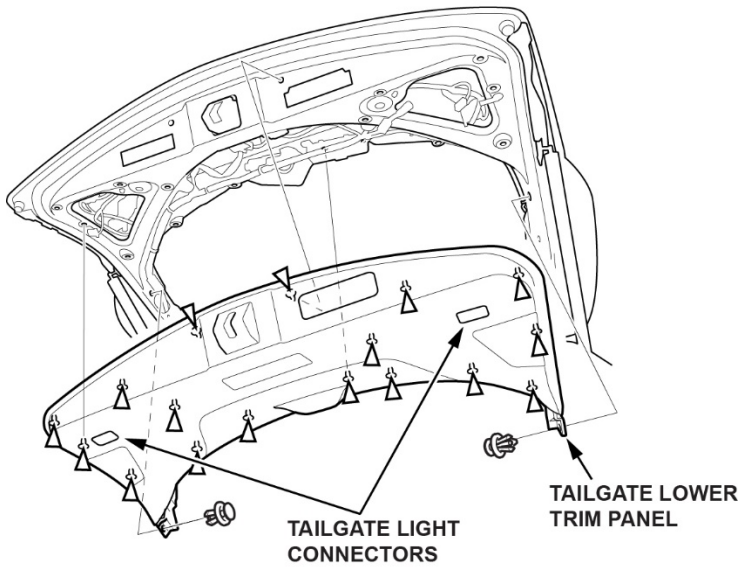
3. Remove the pull pocket, then disconnect the power tailgate switch connector.



4. Remove and disconnect the tailgate light connectors.

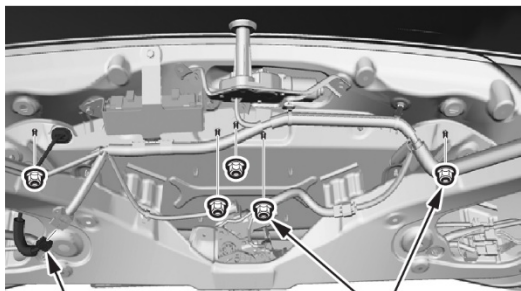


5. Remove the tailgate lower trim panel.



6. Disconnect the license sub harness connector, remove the five nuts, release the pins from the clips, then remove the rear license trim.

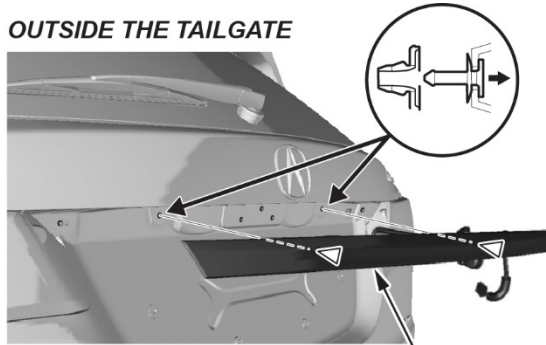
**INSIDE THE TAILGATE**



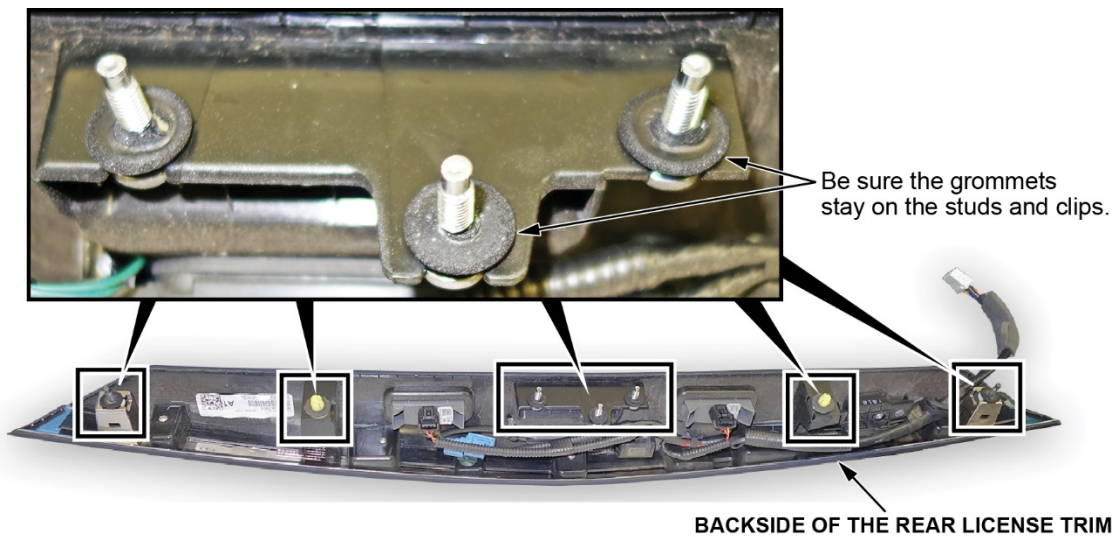
LICENSE SUBHARNESS CONNECTOR

4.9 N-m (3.6 lb-ft)

**OUTSIDE THE TAILGATE**

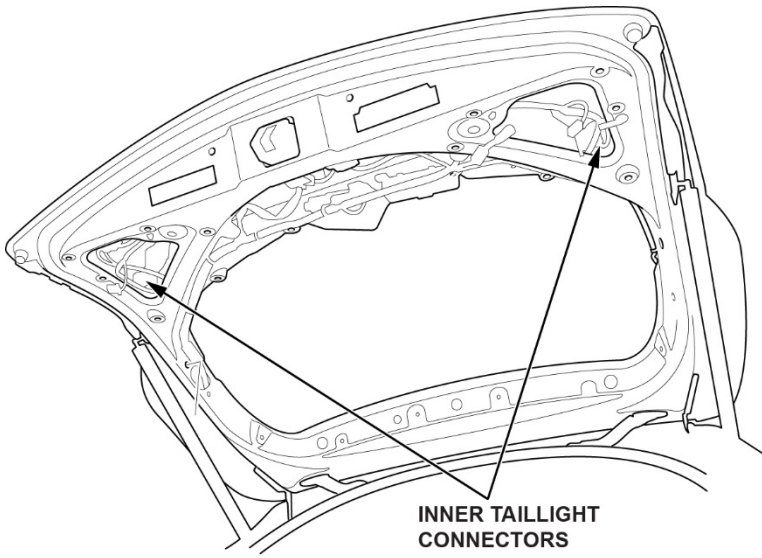


REAR LICENSE TRIM

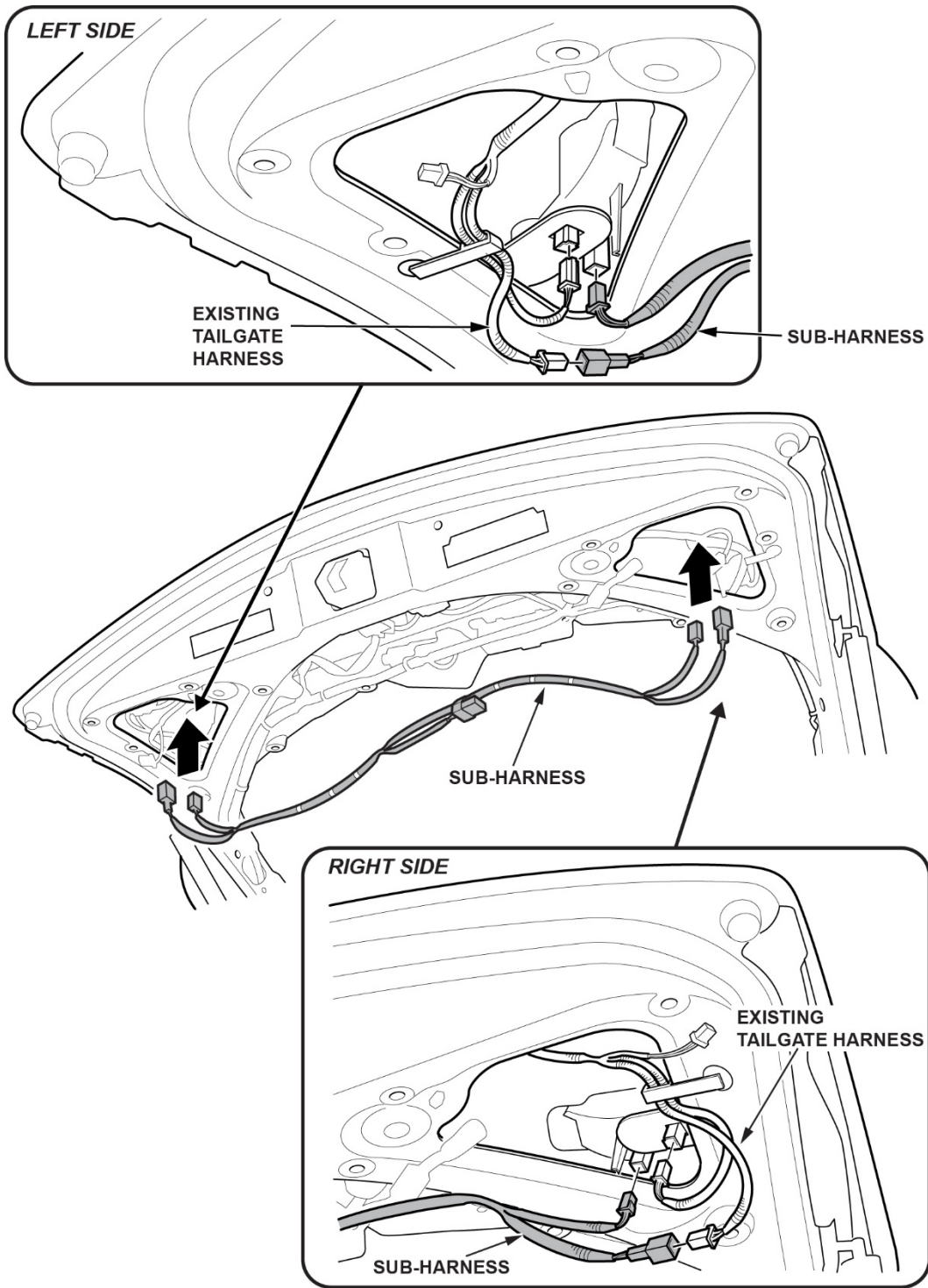


BACKSIDE OF THE REAR LICENSE TRIM

7. Disconnect both inner taillight connectors.



8. Install and route the new inner taillight sub harness (included in the service kit) to the existing tailgate harness.

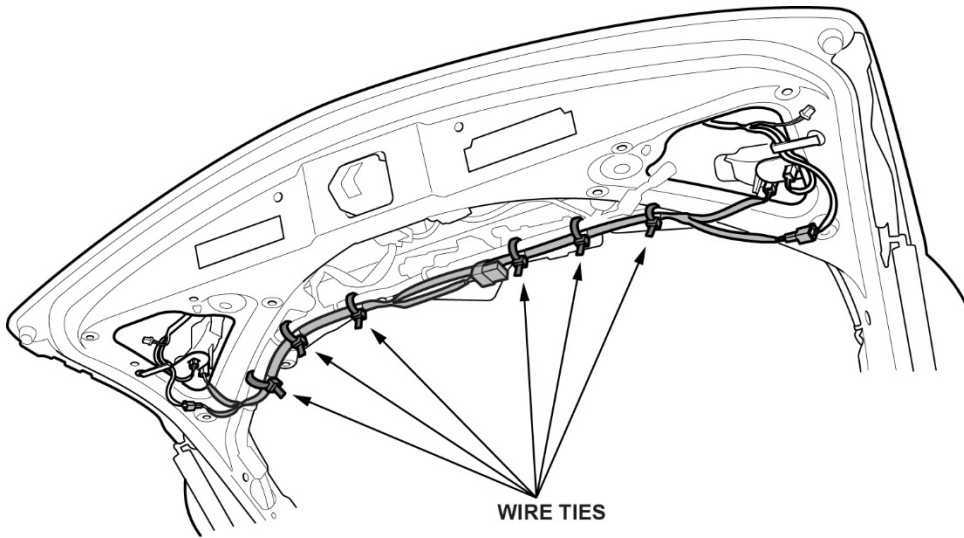


9. Make sure all the taillights come on.

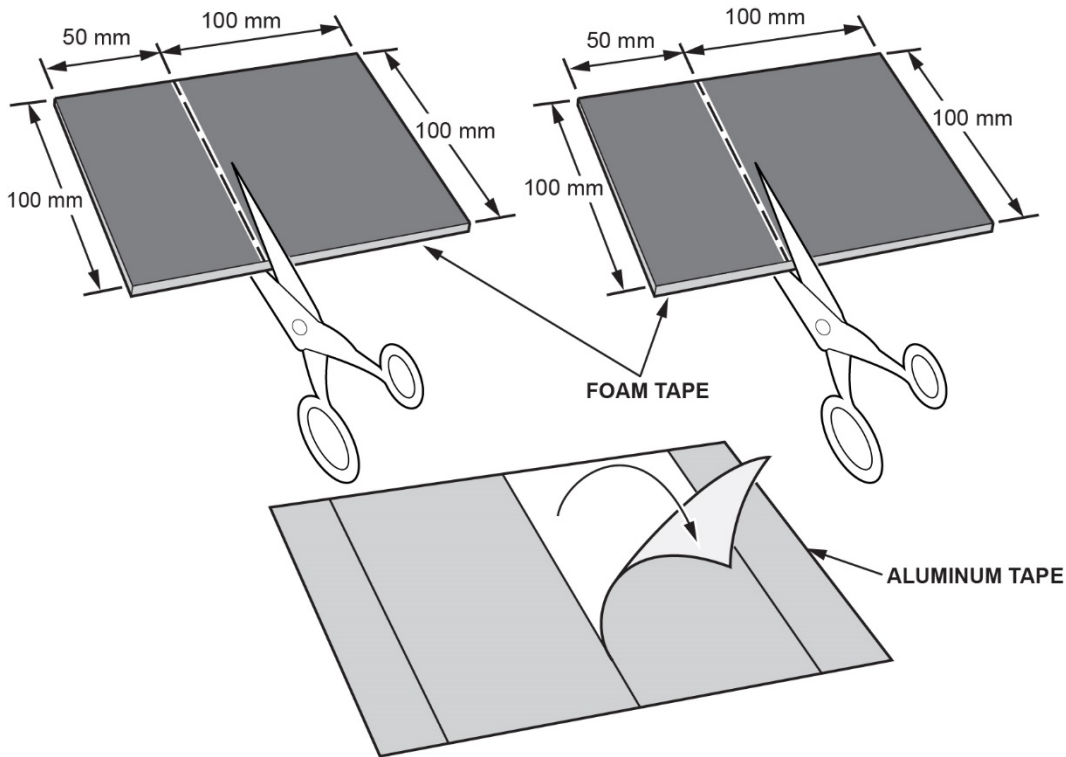
NOTE: If any of them do not come on, check all the connections, the small light fuse, and the sub harness fuse.

10. Starting at the center, then moving outward, use the supplied wire ties along each white piece of tape found on the new harness to secure the new inner taillight sub harness.

NOTE: Trim any excess from the wire ties.



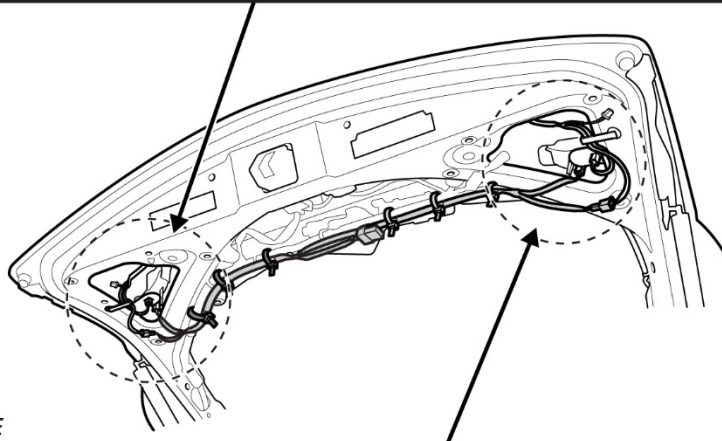
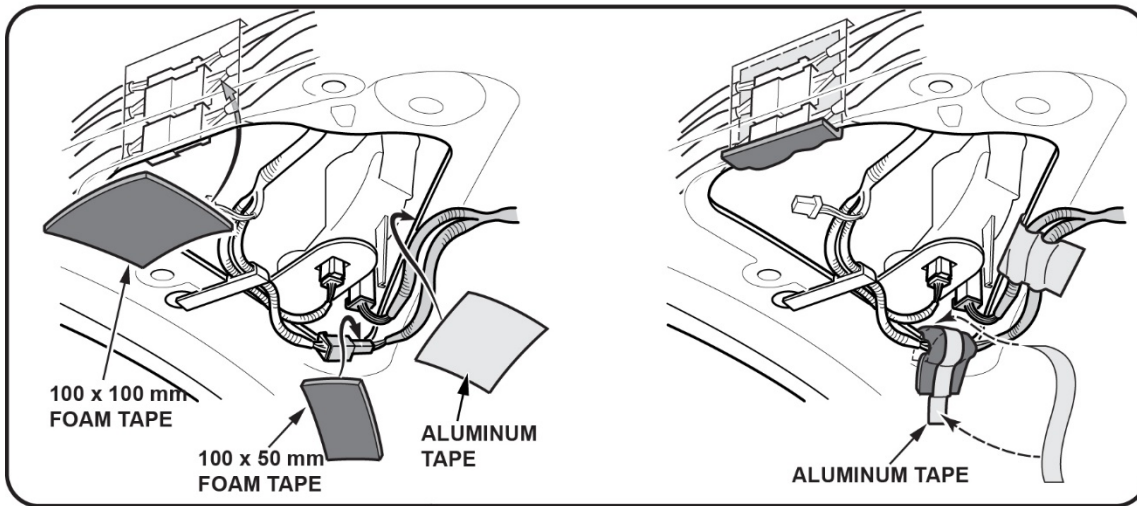
11. Cut two pieces of the foam tape (supplied in the service kit).



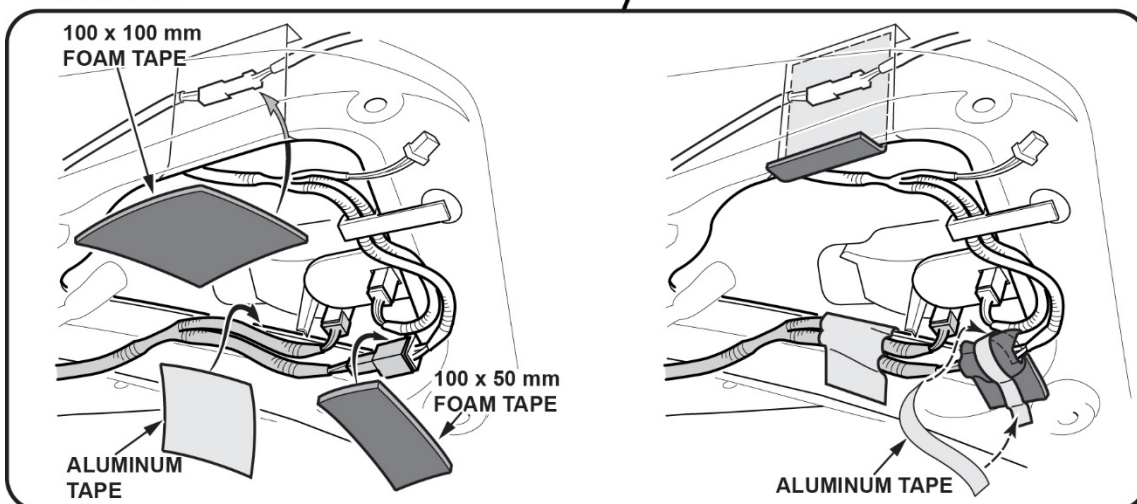
12. Clean the areas shown below with isopropyl alcohol and attach the foam tape pieces. Then, secure the harness and connectors to the body with aluminum tape as shown.

NOTE: To prevent water intrusion, make sure the foam tape covers the entire connector. The aluminum tape should wrap around the foam wrapped connector and adhere to the back side of the metal, to prevent rattles.

**LEFT SIDE**



**RIGHT SIDE**



13. Install the tailgate trim and any other removed parts in the reverse order of removal.

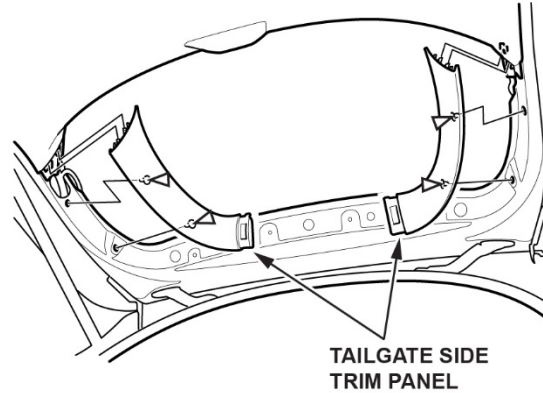
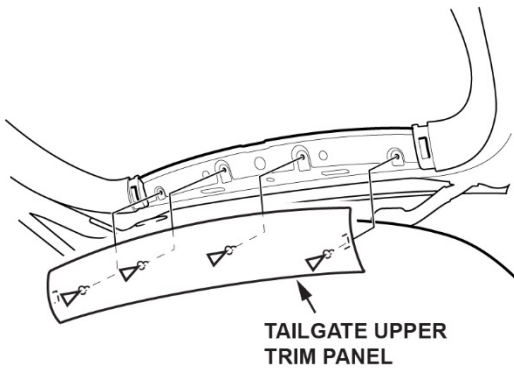
NOTE: The new inner taillight sub harness is permanent and should never be removed. The inline fuse in the harness can be serviced by replacing the 5A fuse.

## REPAIR B

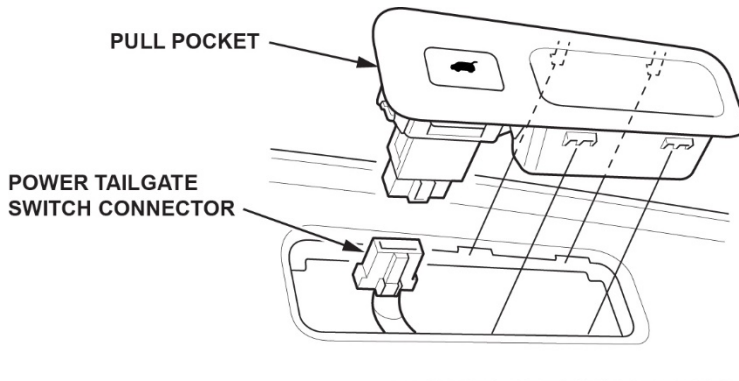
1. Open the tailgate.

NOTE: To prevent damage to the tailgate support struts, **do not** use the power tailgate function (if equipped) during the repair. Open and close the tailgate manually.

2. Remove the tailgate upper trim panel, then remove the side trim panels.



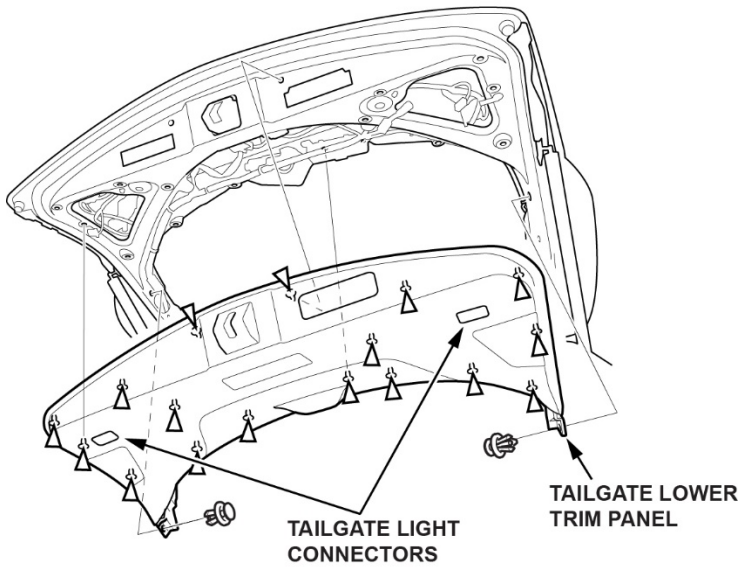
3. Remove the pull pocket, then disconnect the power tailgate switch connector.



4. Remove and disconnect the tailgate light connectors.

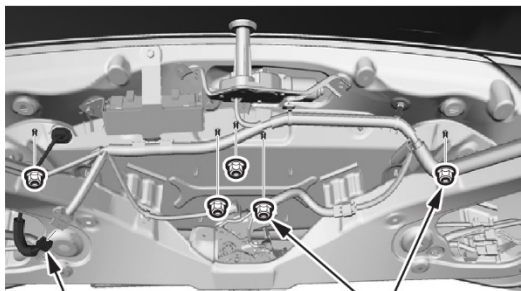


- Remove the tailgate lower trim panel.



- Disconnect the license sub harness connector, remove the five nuts, release the pins from the clips, then remove the rear license trim.

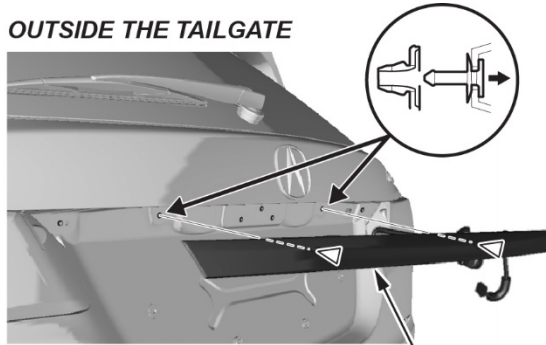
**INSIDE THE TAILGATE**



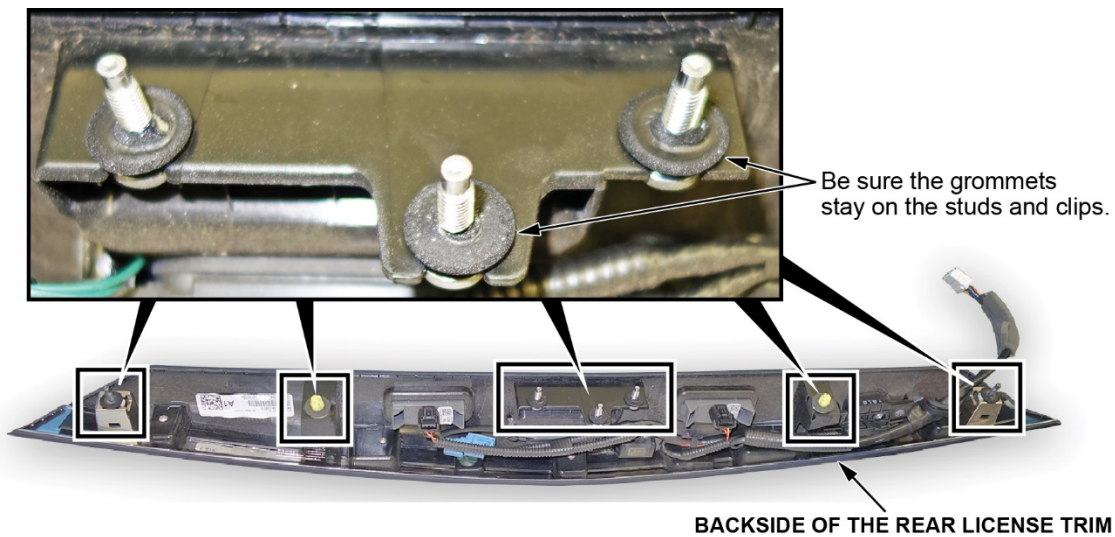
LICENSE SUBHARNESS CONNECTOR

4.9 N·m (3.6 lb-ft)

**OUTSIDE THE TAILGATE**

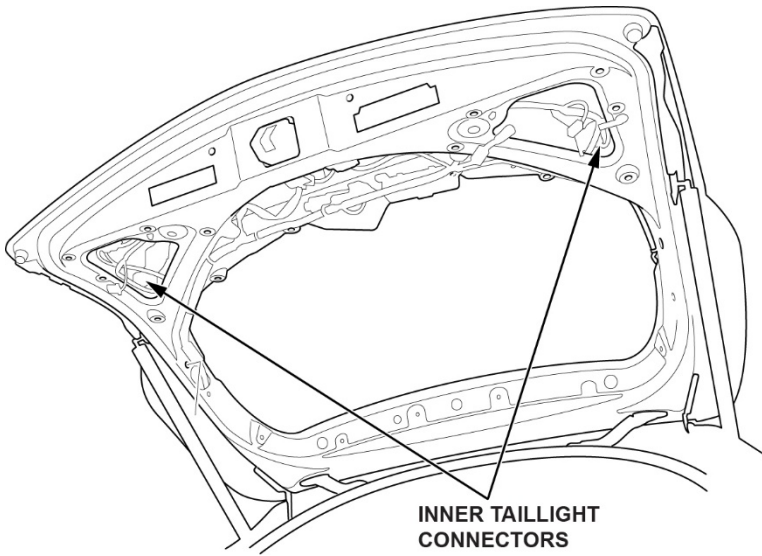


REAR LICENSE TRIM

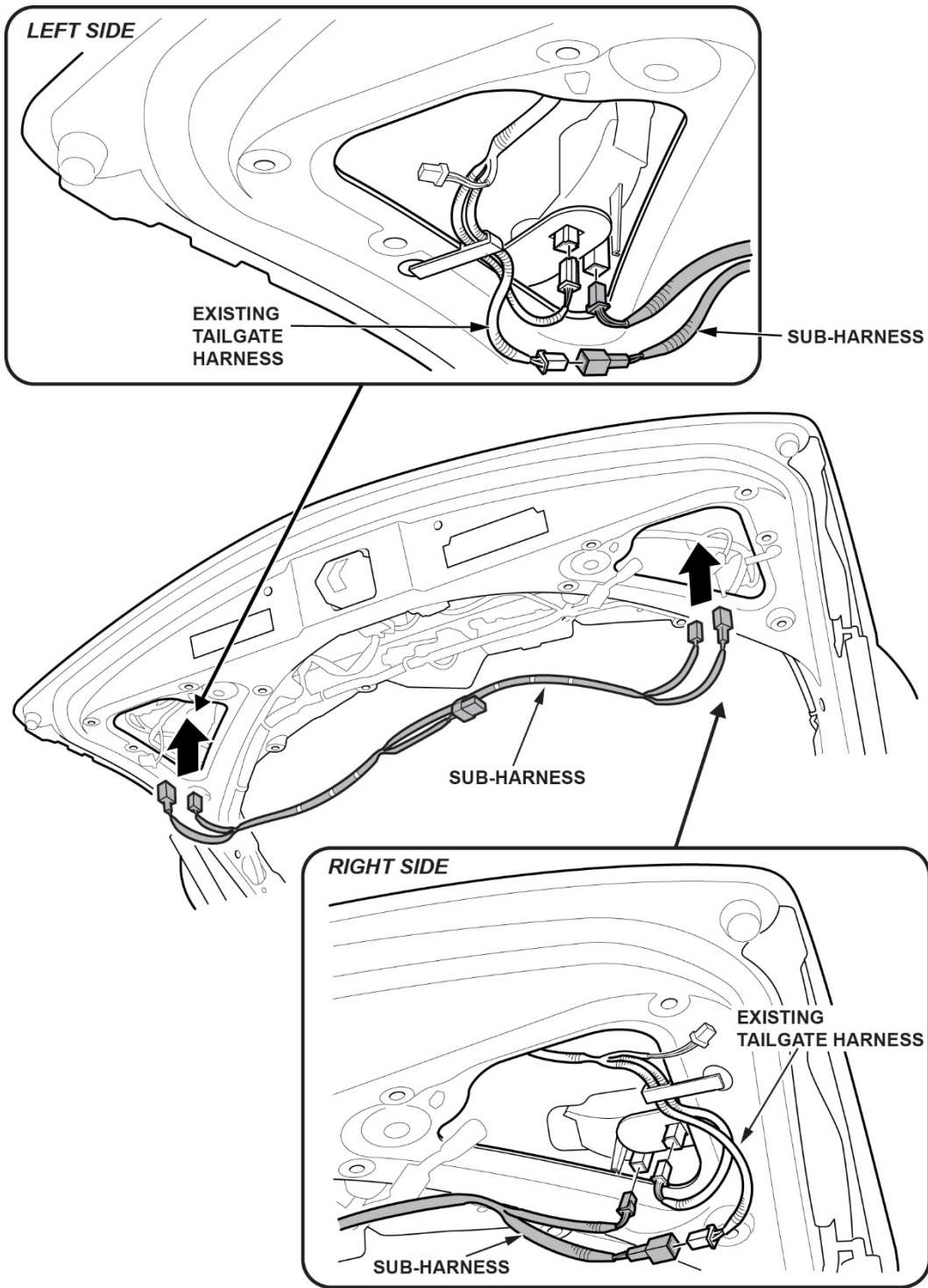


BACKSIDE OF THE REAR LICENSE TRIM

7. Disconnect both inner taillight connectors.



8. Install and route the new inner taillight sub harness (included in the service kit) to the existing tailgate harness.

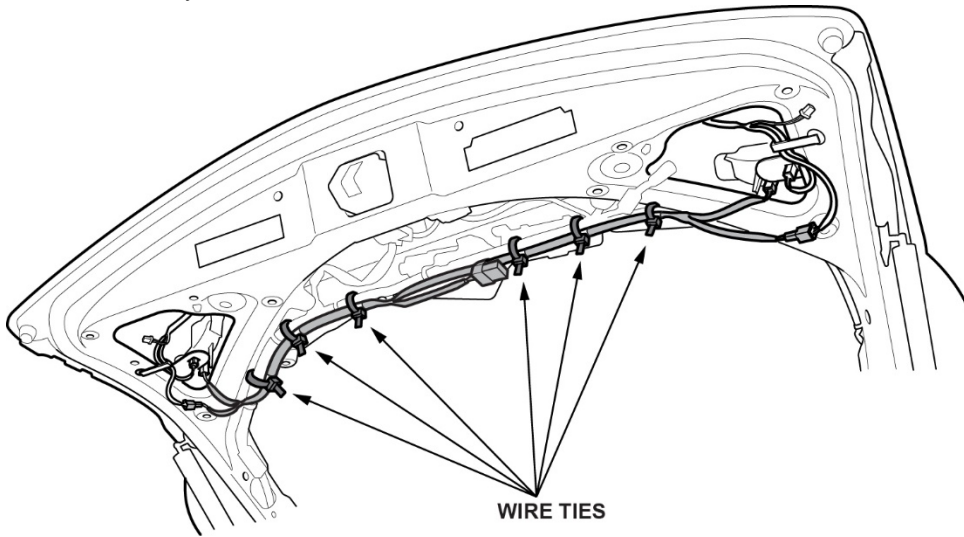


9. Make sure all the taillights come on.

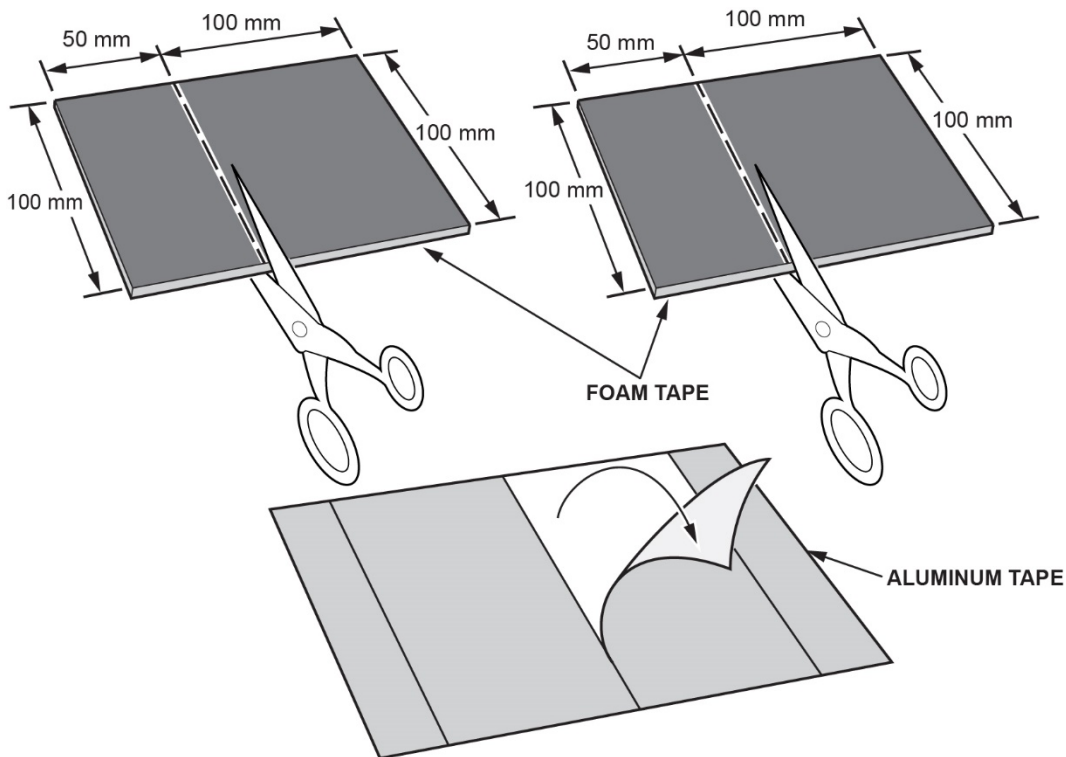
NOTE: If any of them do not come on, check all the connections and the small light fuse again.

10. Starting at the center and then moving outward, use the supplied wire ties along each white piece of tape found on the new harness to secure the new inner taillight sub harness.

NOTE: Trim any excess from the wire ties.



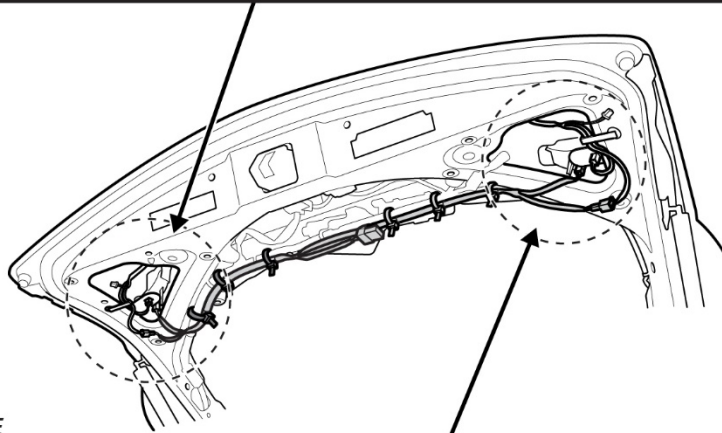
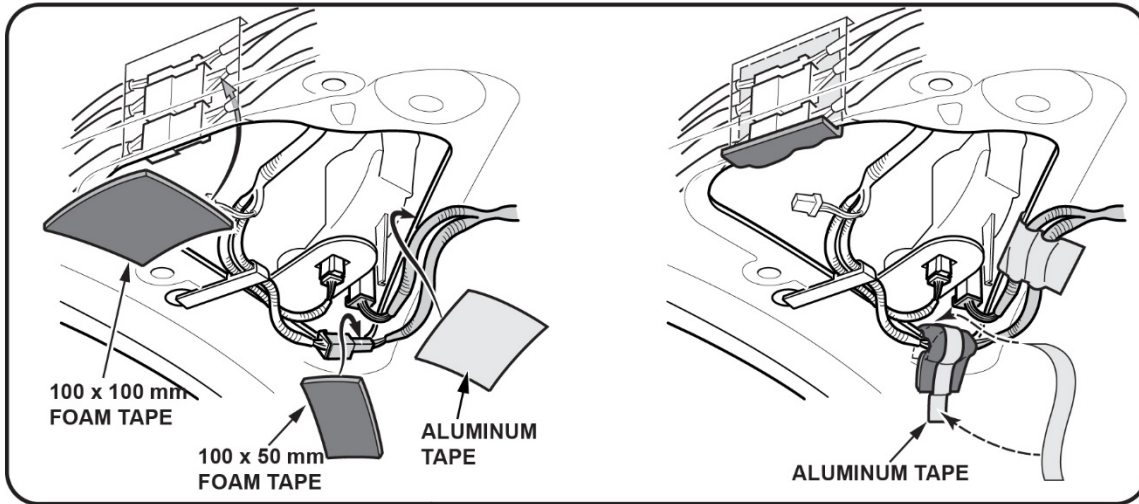
11. Cut two pieces of foam tape (supplied in the service kit).



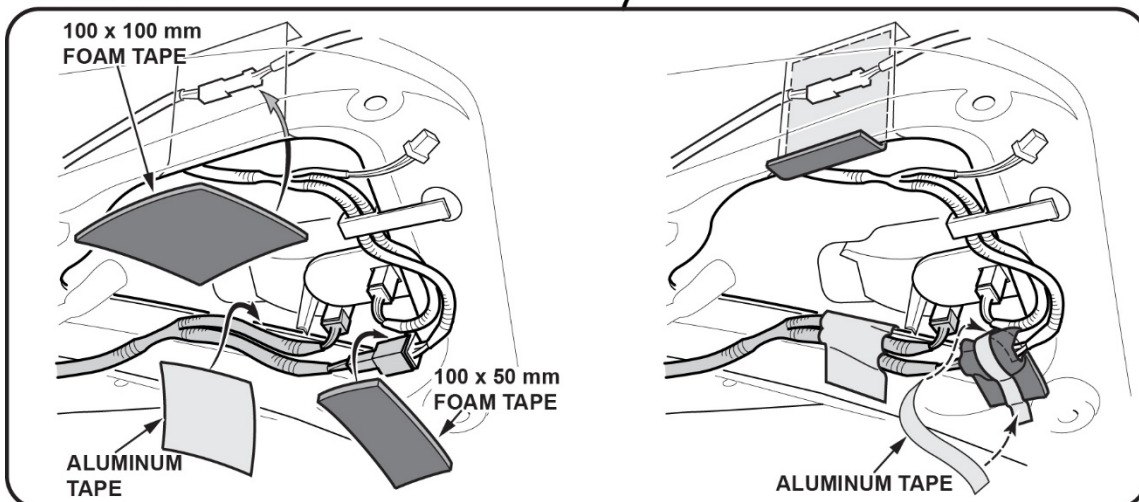
12. Clean the areas shown below with isopropyl alcohol and attach the foam tape pieces. Then, secure the harness and connectors to the body with aluminum tape as shown.

NOTE: To prevent water intrusion, make sure the foam tape covers the entire connector. The aluminum tape should wrap around the foam wrapped connector to the back side of the metal, this will prevent rattles.

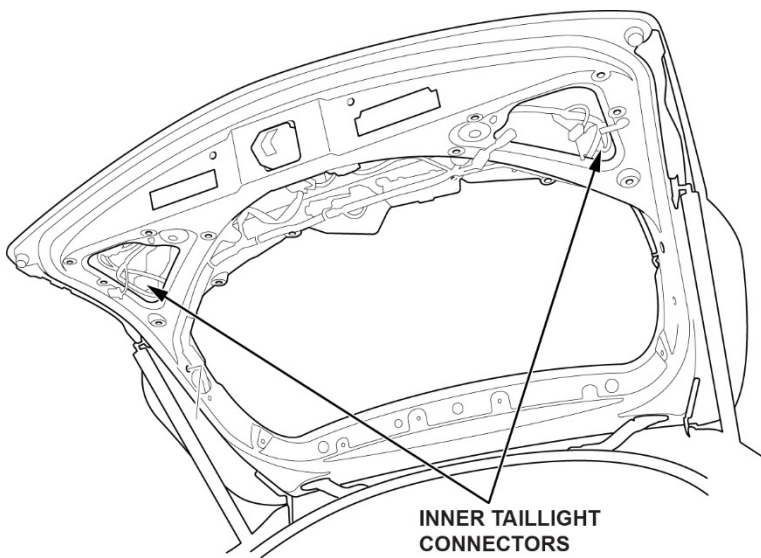
**LEFT SIDE**



**RIGHT SIDE**

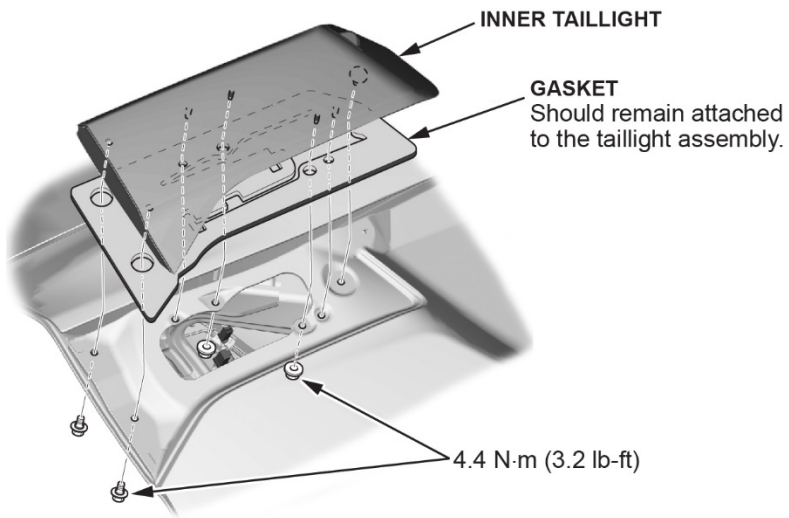


13. Disconnect both inner taillight connectors.



14. Remove the failed inner taillight(s) by removing the two mounting bolts and two mounting nuts.

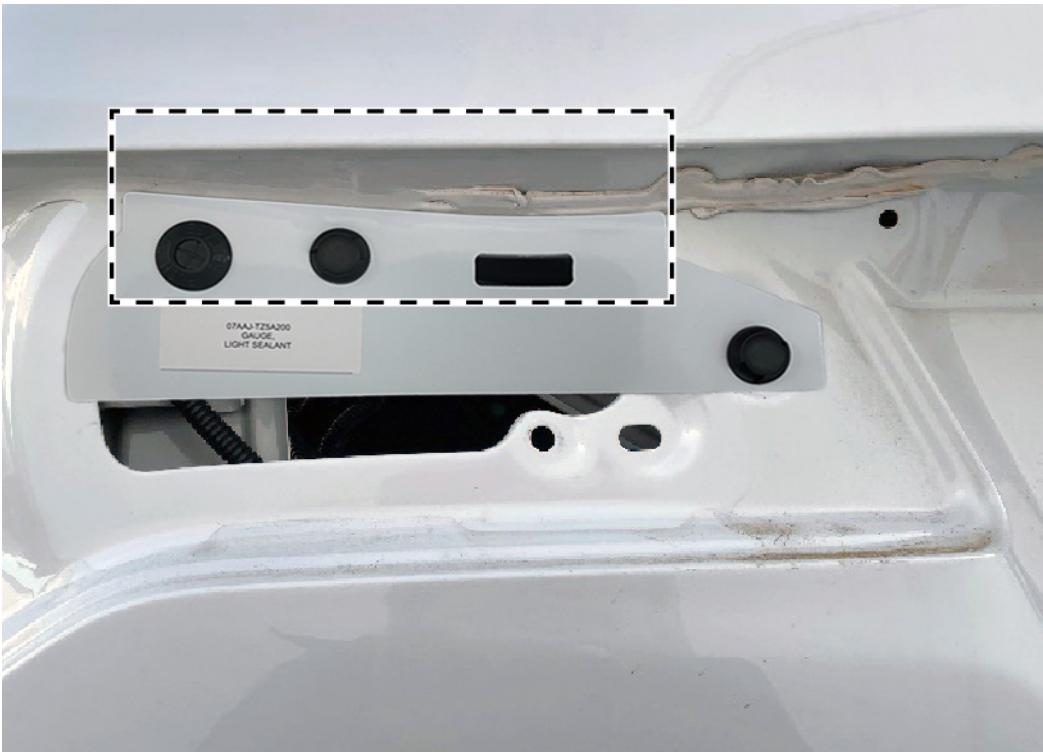
NOTE: Be sure to completely remove the old inner taillight gasket from the tailgate surface.



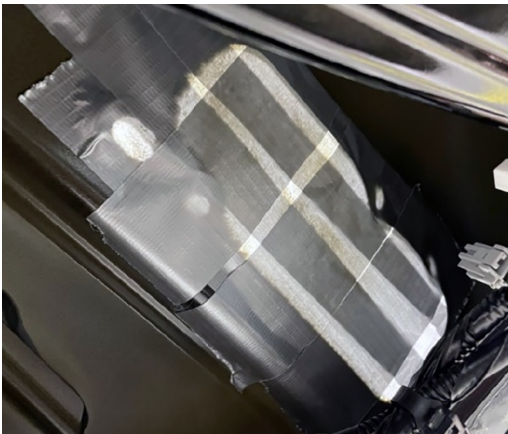
## Dust Sealer Removal

NOTE: Only remove the sealer from the failed inner taillight that was just removed.

15. Install the template to the inner taillight location on the tailgate using the body clips.
16. Use the top edge of the template to mark the area **with a marker** where the dust sealer needs to be removed. The sealer should be removed from between the vertical lines, and along the edge of the template.



17. Once the dust sealer removal area has been marked, remove the template.
18. Seal the tailgate before doing the dust sealer removal:
  1. Place tape over the opening for the lid light.
  2. From the inside of the tailgate, place tape over the opening for the inner taillight.



19. Place tape over the edge of the outer taillight to keep debris from getting into the housing.



20. With the tailgate closed, and while wearing proper eye protection and gloves, use a drill (or equivalent rotary tool) with the 3M Stripe Off Wheel to remove the dust sealer between the markings.

NOTE:

- Ensure that the power tool being used is appropriate for the type of stripe off wheel being used.
- The maximum RPM for the recommended 3M Stripe Off Wheel is **4,000 RPM**.
- The stripe off wheel will only remove paint where there is sealer underneath the paint.

3M STRIPE OFF WHEEL



HARDWARE (SCREW)



21. Use the template as a guide to ensure enough sealer has been removed.

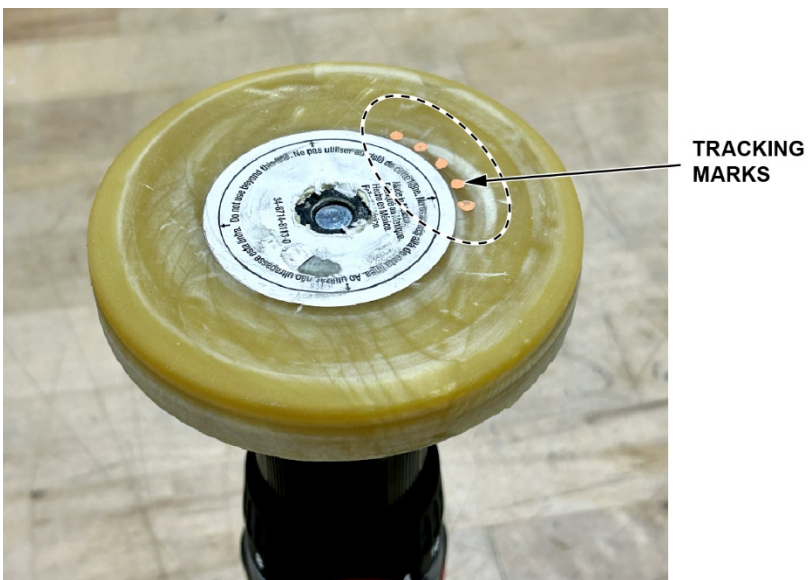
NOTE: If the template indicates that additional sealer needs to be removed, remove the template, then continue to remove sealer as needed with the stripe off wheel.



**Example of finished sealer removal:**



22. Place a tracking mark on the center of the stripe off wheel after each VIN is repaired. When 10 VINs have been completed (10 tracking marks have been added), flip the wheel over and repeat the process for 10 more VINs. After 20 VINs have been completed (10 tracking marks on each side of the wheel), replace the stripe off wheel with a new wheel.



## Apply Sealer

23. With the template installed, use a marker to make a line across the top edge of the template, then remove the template.



24. Place tape along the underside of the line that was drawn in the previous step.



25. Apply a thin bead of Penguin Seal 353 to the area above the tape where the tailgate panels meet. While wearing a glove, run a finger along the new sealer to seal the panel joint and smooth the sealer across the area where the old sealer was removed.



26. Immediately remove the tape below the sealer and allow 15 minutes for the sealer to dry.

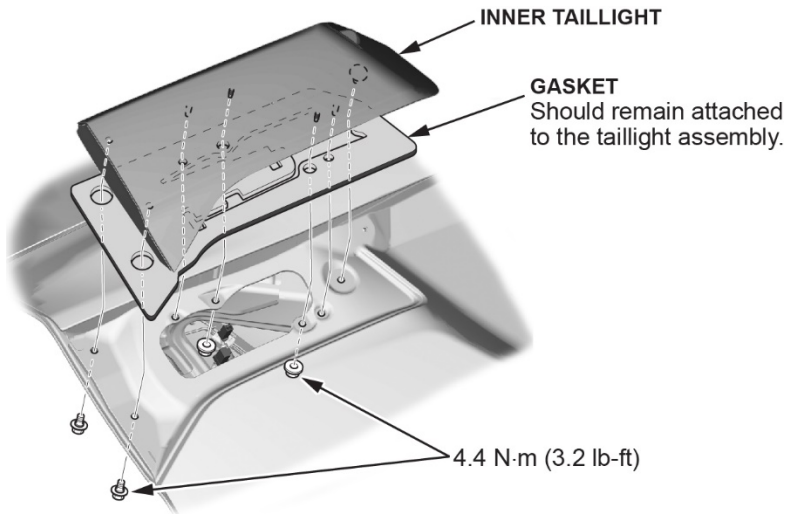
NOTE: Proceed to the next step while the sealer is drying.



27. Remove the remaining masking materials from the outer taillight and inside the tailgate.

## Inner Taillight Installation

28. Install the new inner taillight(s) and connect them.



29. Make sure all the taillights come on.

30. Install all parts in the reverse order of removal.

**NOTE: The new inner taillight sub-harness is permanent and should never be removed. The inline fuse in the harness can be serviced by replacing the 5 A fuse.**