



NHTSA Campaign Number: 25C002

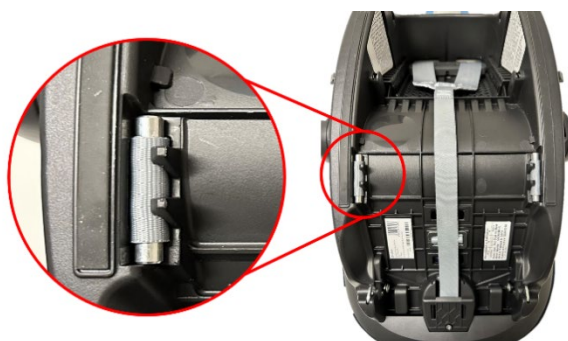
SAFETY RECALL

**PRODUCTS CURRENTLY OFFERED FOR SALE AT THIS RETAILER
ARE NOT SUBJECT TO THIS RECALL.**

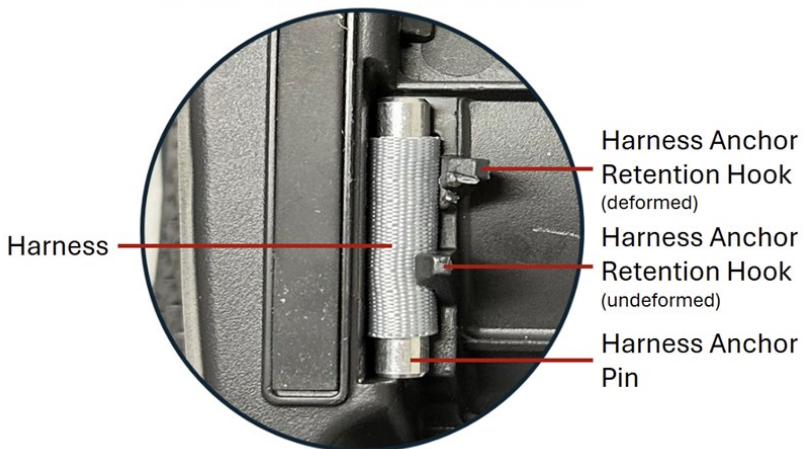
Free Product Update Kit for US version of Cybex Aton G and Aton G Swivel Infant
Car Seats Manufactured before May 10, 2024



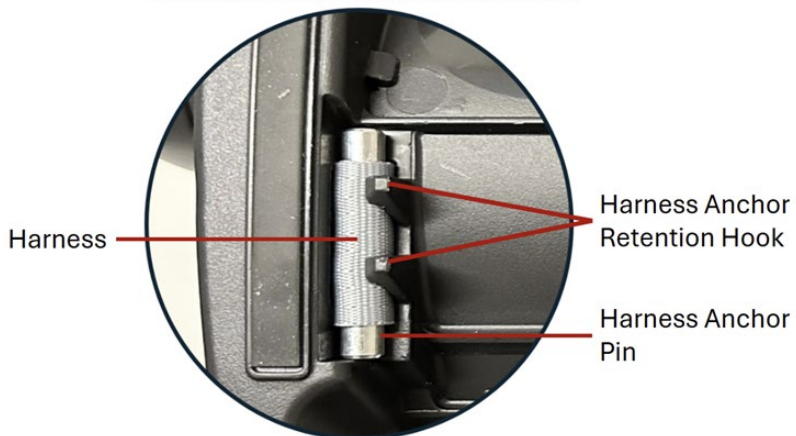
CYBEX will offer a free product update kit to owners of certain US versions of the Aton G and Aton G Swivel child restraint systems manufactured before May 10, 2024. CYBEX has identified a defect with the Aton G child restraint systems. If the seat is slid or scraped over a sharp edge (like a table or countertop) or possibly the edge of the Aton G Swivel Base, the harness anchorage hooks can bend. This bending can cause the harness anchor pin to dislodge when the seat is not in use. When a child is secured in the harness, the anchor pin cannot come loose. Caregivers will notice any harness detachment when securing a child and checking the harness. If this occurs, the caregiver should immediately stop using the seat and contact CYBEX immediately for assistance.



DEFORMED HARNESS ANCHOR RETENTION HOOK



UNDEFORMED HARNESS ANCHOR RETENTION HOOK





NHTSA Campaign Number: 25C002



The product update kit, which includes a device to lock the harness and harness anchor pin in place, along with installation instructions, is only needed for US versions of child restraint systems and travel systems that use Aton G infant car seats **manufactured before May 10, 2024**, with model numbers: 522001441, 522001443, 522001445, 522001447, 522004777, 522004779, 522004167, 522004169, 522004171, 522004173, 522005099, 522004781, 522004783, 522003793, 522003795, 522003797, 522003799, 522003897, 522003711, 522003717, 522003723, 522003729, 522004805, 522005355. The kits will be available on or about April 4,

2025.

Consumers who own an affected US child restraint systems or travel systems using the Aton G infant car seat manufactured before May 10, 2024, should register for a free product update kit by contacting CYBEX Customer Service at 1-877-242-5676 or registering their car seat at <https://register.cybex-online.com/us/carseats>.