



# Volvo Car Customer Service

QB Instruction VCC-533592-1

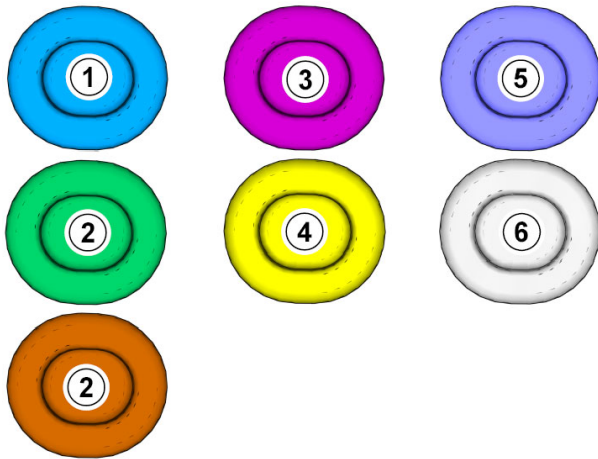
<b>Title</b>	Front seat	<b>Page</b>	1 ( 8 )
<b>Action</b>	Product fix	<b>Operation number:</b>	

<b>Issue</b>	<b>Date</b>	<b>Reason</b>
1	2025-11	First issue

## Affected vehicles

<b>Model year</b>	<b>Model</b>
2018, 2025, 2026	XC60 (18-)
2016, 2026	XC90 (16-)

## Color symbols



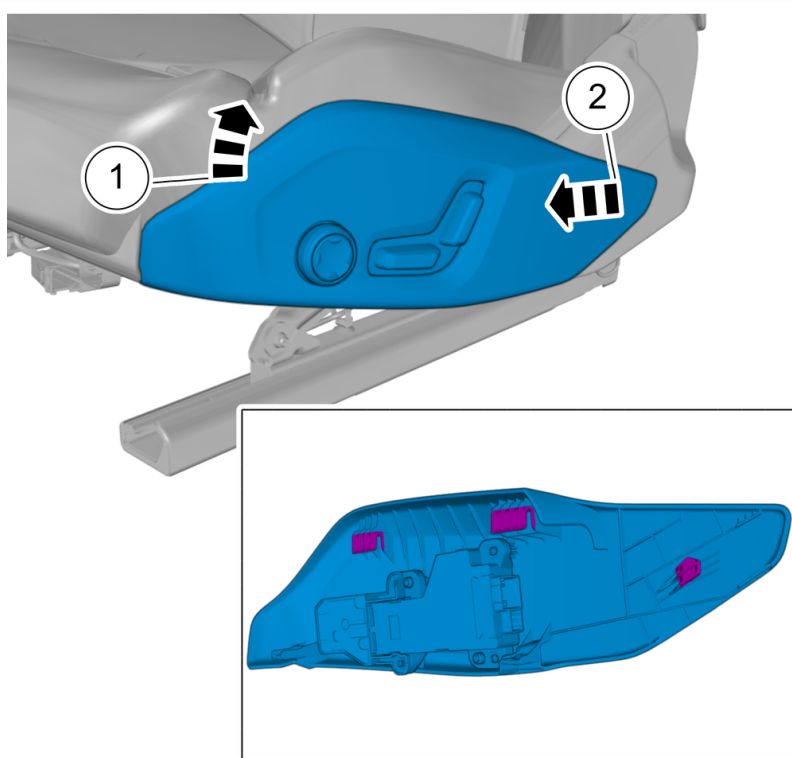
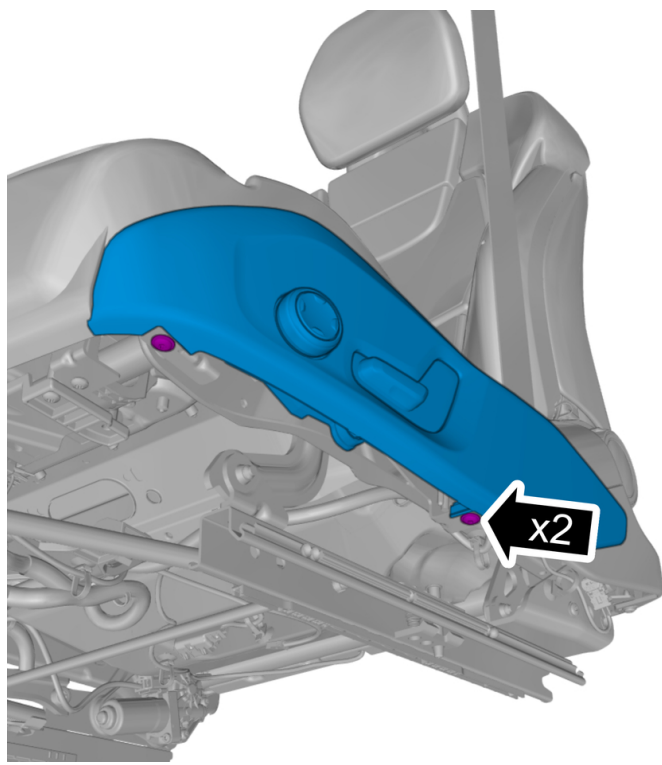
**Note! This colour chart displays (in colour print and electronic version) the importance of the different colours used in the images of the method steps.**

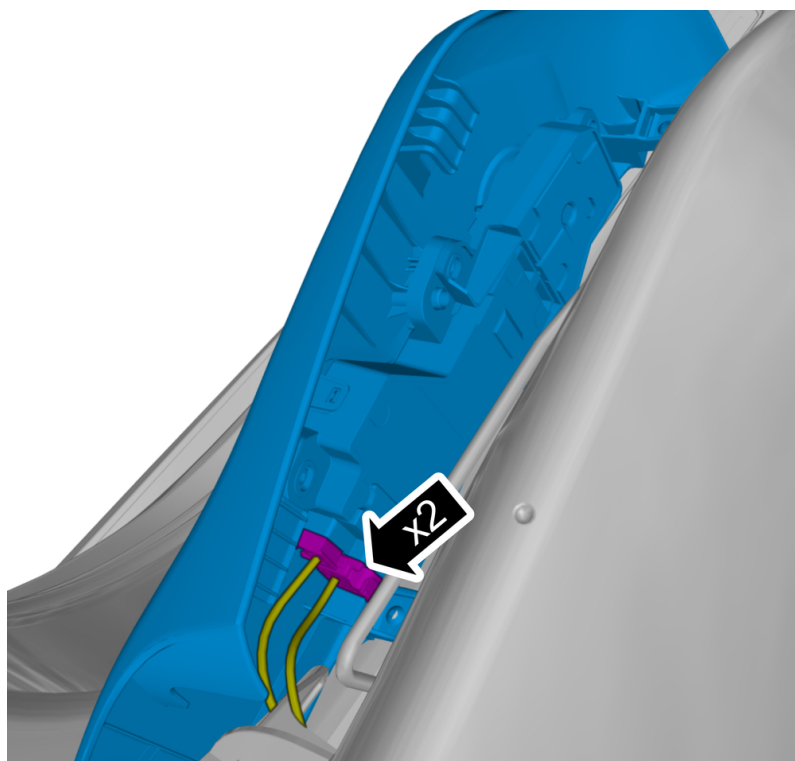
- 1 . Used for focused component, the component with which you will do something.
- 2 . Used as extra colors when you need to show or differentiate additional parts.
- 3 . Used for attachments that are to be removed/installed. May be screws, clips, connectors, etc.
- 4 . Used when the component is not fully removed from the vehicle but only hung to the side.
- 5 . Used for standard tools and special tools.
- 6 . Used as background color for vehicle components.

Remove front seat , refer to:

- Removal, replacement and installation
- 8 - Body and interior
- 85 - Interior
- 852 - front seat, drivers seat, seat bench type

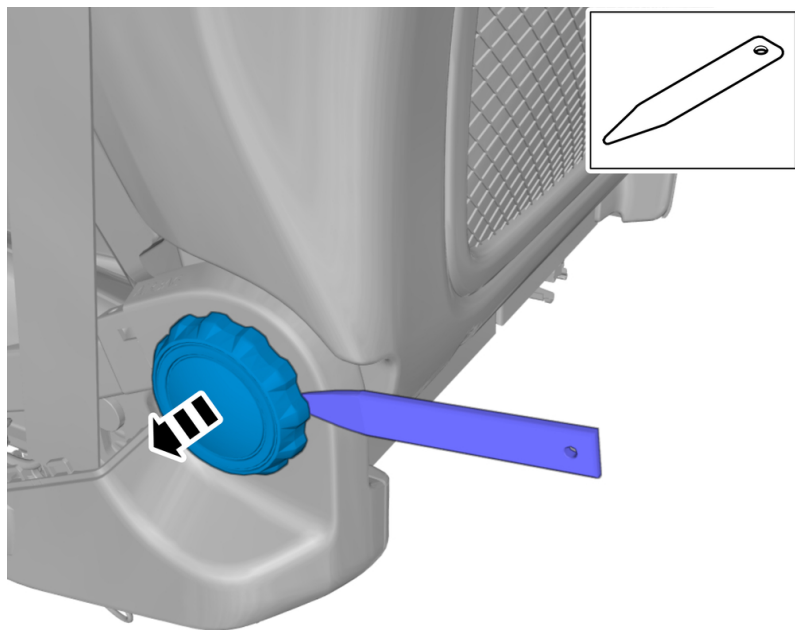
Remove the screws.





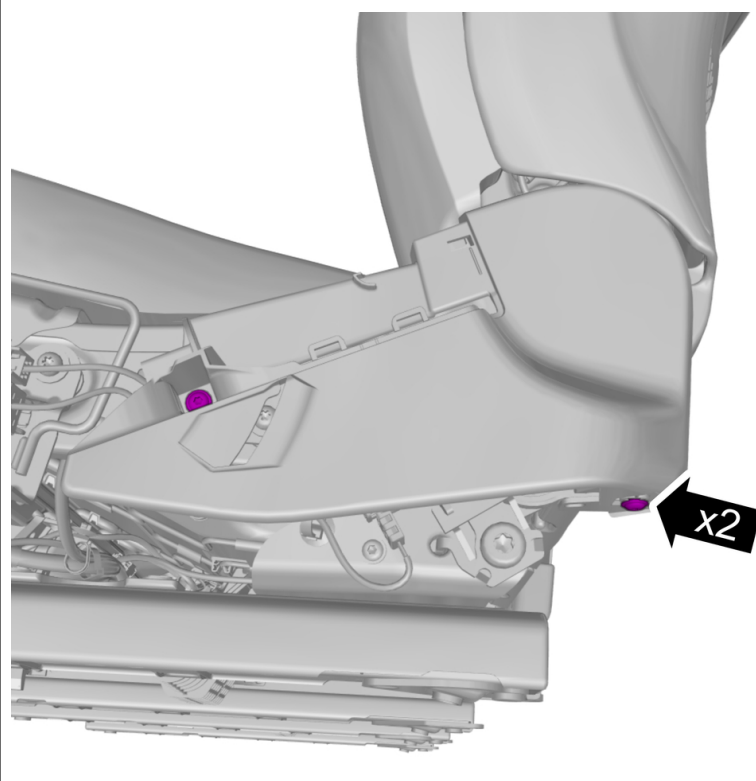
Disconnect the connectors.

Vehicles without power seats

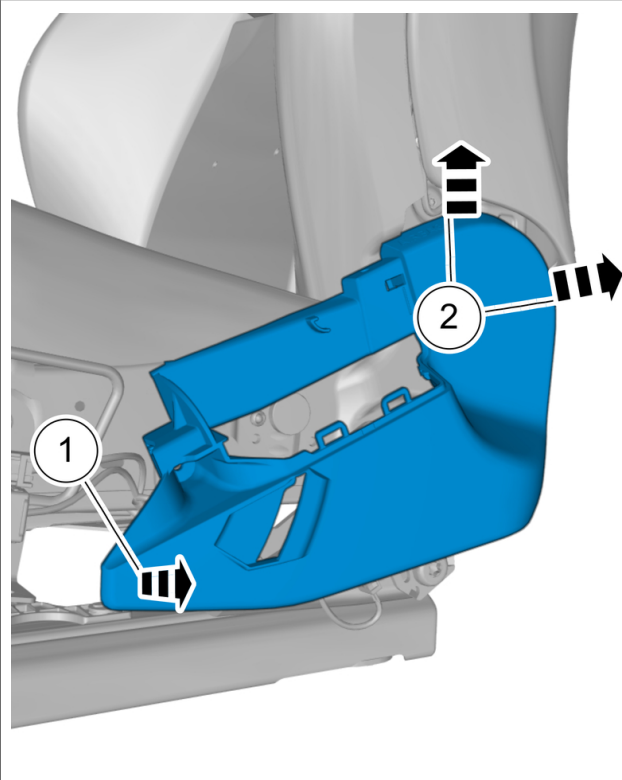


Remove the marked part.

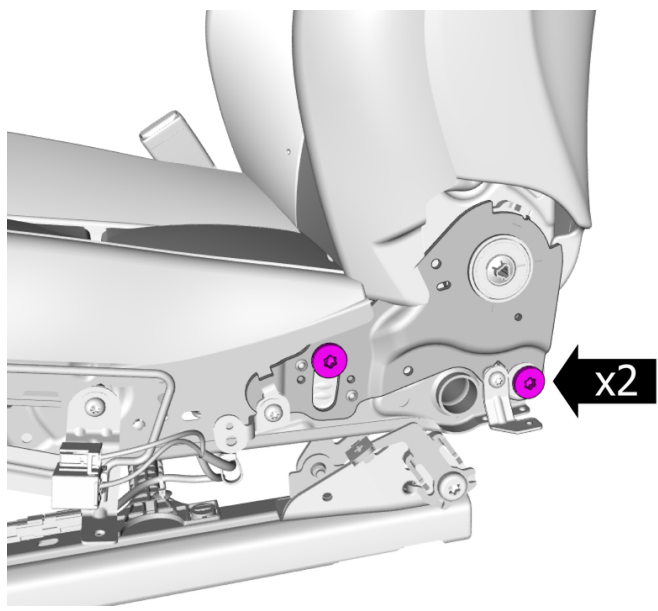
All vehicles



Remove the screws.



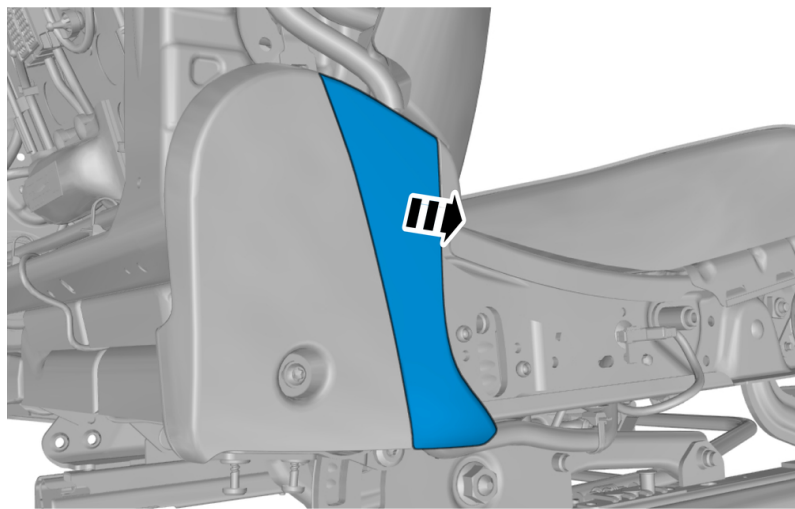
Remove the marked part.



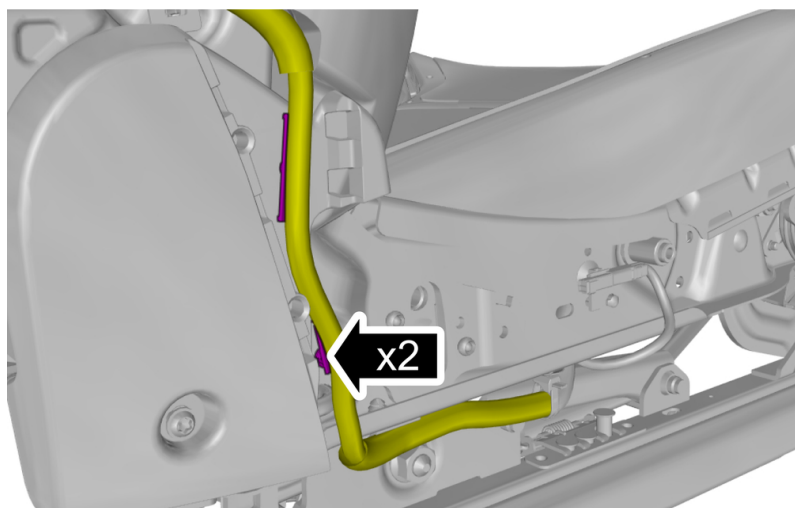
Tighten the bolts.

**Torque:**

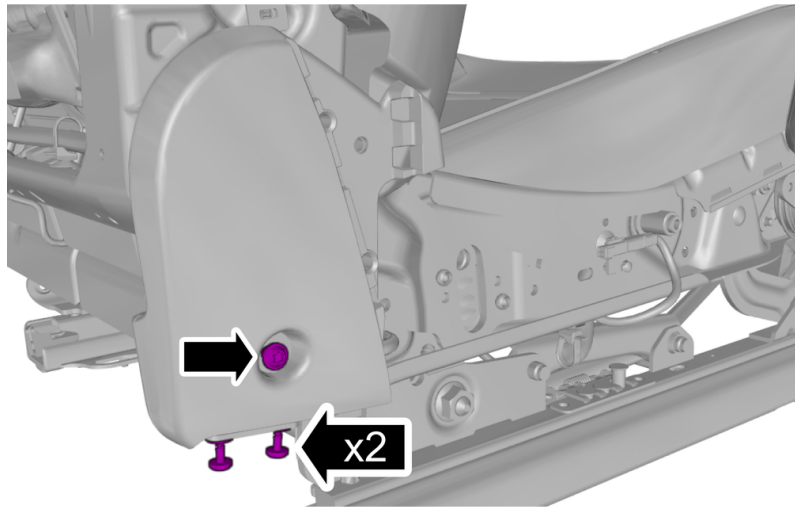
Backrest frame to seat frame , 40 Nm



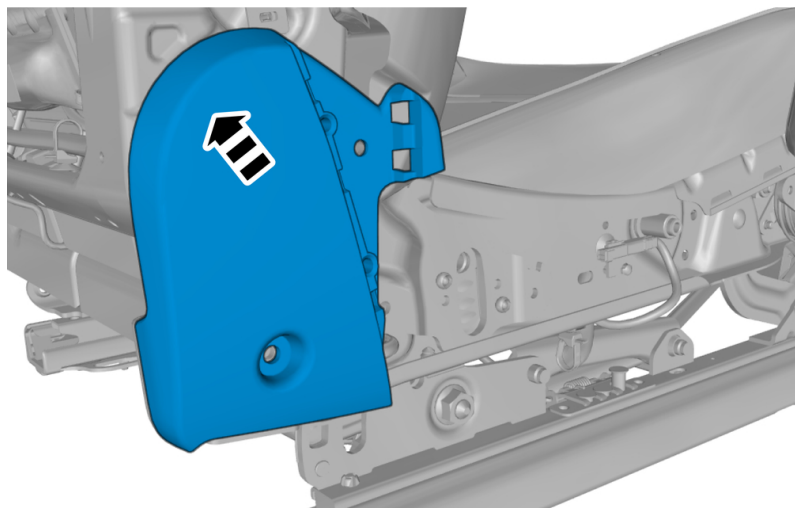
Remove the marked part.



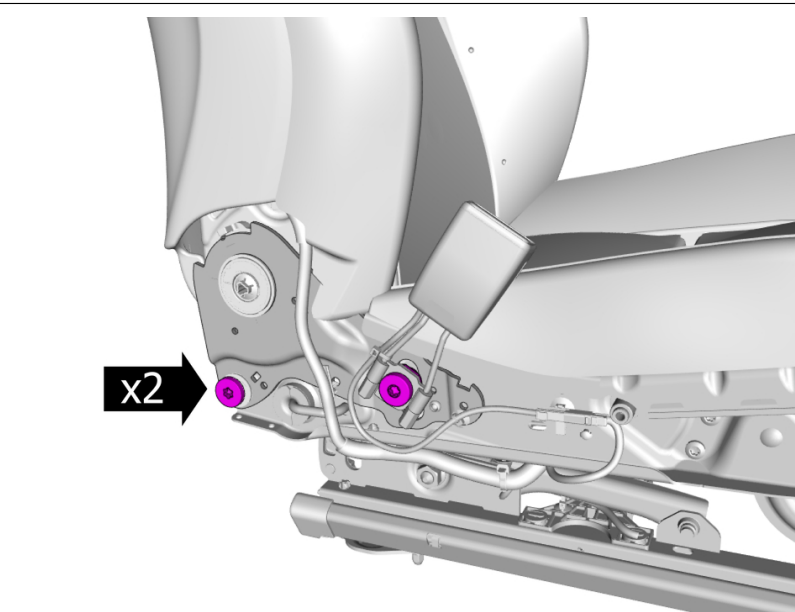
Remove the cable harness clips.



Remove the fasteners.  
Remove the screw.



Remove the marked part.



Tighten the bolts.

**Torque:**

Backrest frame to seat frame , 40 Nm

**Installation**

To install, reverse the removal procedure.