
Date	Number	Release	Page
12.2025	RVXX2512	01	1(4)

**Load Lock Clamp
VN (4)**

RECALL INFORMATION

(December, 2025)

Certain Volvo VN (4)s are equipped with load lock clamps on the back of the cab that may experience breakage due to early life failures. Load lock clamp failures may result in load lock bars being unsecured during vehicle operation. Loose or unsecured load lock bars may cause injury or increase the risk of a crash.

Volvo Trucks has not received any complaints or reports of vehicle crashes because of this safety defect; therefore, Volvo considers this as a proactive measure to protect the public and Volvo's customers from the potential risk associated with this defect.

To resolve this safety issue, please follow the instructions in this document to remove the load lock clamp. A new load lock clamp is being developed and once they are available there will be a follow up service campaign to install a new load lock clamp.

VEHICLES AFFECTED

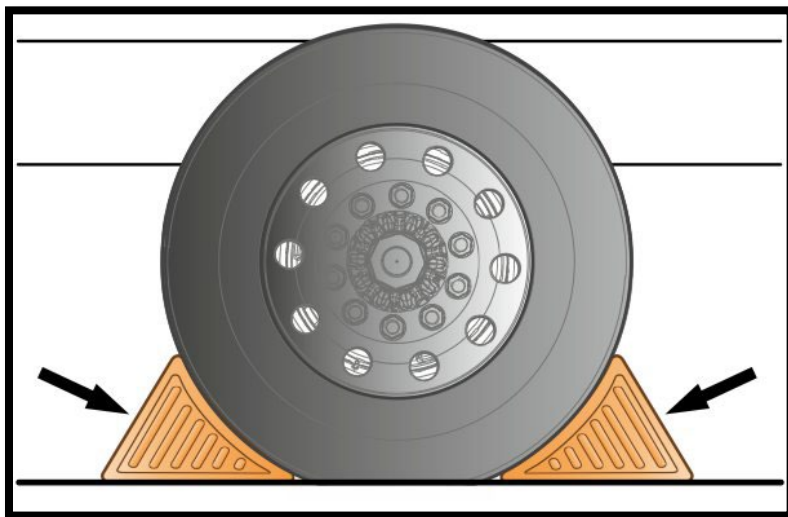
Certain 2023-2026 VN (4) model vehicles manufactured from October 2 2023, through October 14, 2025.

VEHICLE QUANTITY

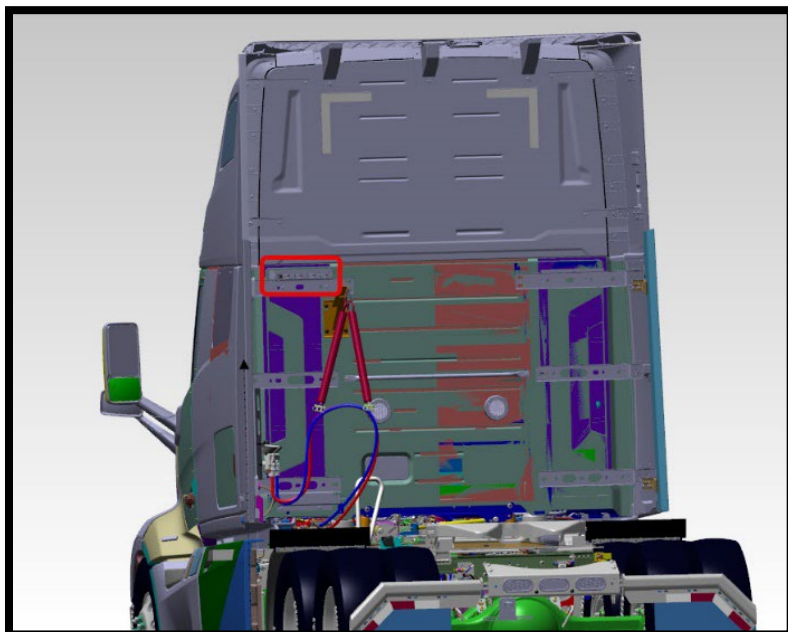
There are 2,391 vehicles affected by this recall (1,859 U.S., 532 Canada).

Repair Instructions

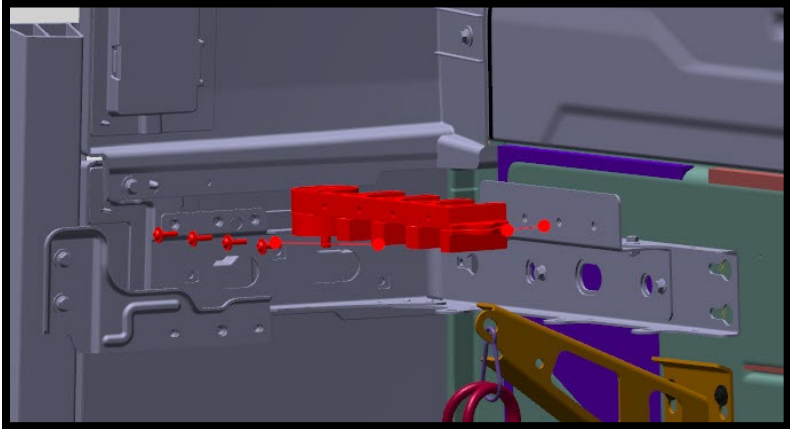
1. Secure vehicle for service.
2. Apply the parking brake.
3. Place the transmission in neutral or park.
4. Install wheel chocks.



5. Locate the load lock clamp at back of cab.

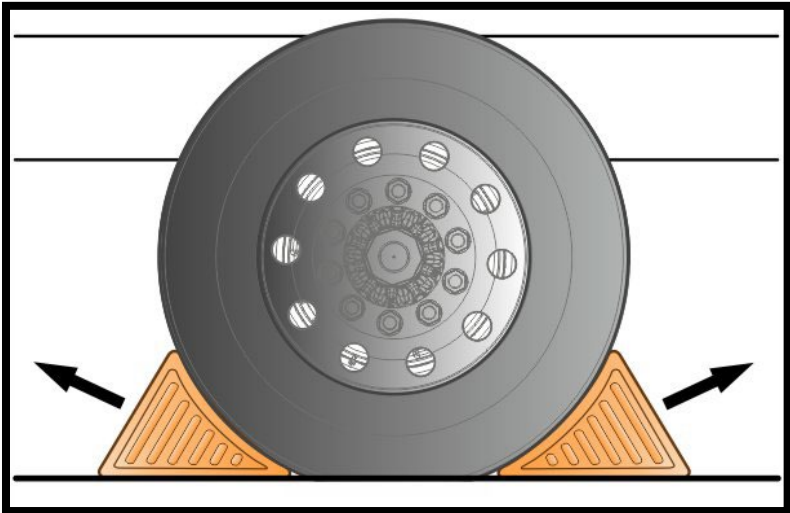


6. Remove composite load lock clamp and scrap.



Note: Do not disturb mounting bracket.

7. Remove wheel chocks.



8. Return vehicle to service.

REIMBURSEMENT

This repair is covered by an authorized Safety recall. Reimbursement is obtained through the normal claim handling process.	
	UCHP Reimbursement
Claim Type (used only when uploading from the Dealer Business System)	40
Recall Status	
Vehicle repaired per instructions	1-Modified per instructions
Main Labor Codes	
1720-16-09-01 Campaign General (3 x 0.1)	0.3
Causal Part	78652107
Authorization Number	C0512

Note: Dealers or the designated representatives are required to perform Safety Recall on all subject vehicles at no charge to the vehicle owner regardless of mileage, age of vehicle or ownership (original purchaser or subsequent purchasers). Whenever vehicles that are subject to a Safety Recall are brought to your dealership for service, it is strongly recommended that every effort be made to perform the recall correction before the vehicle is released to the owner.