

# SAFETY RECALL

NORTH AMERICA

## Airbag Warning Light - Clockspring



Reference: 14C / NHTSA 25V-765

FCA US LLC



**RAM**

Remedy available for

2021-2022 (D2) Ram 3500 Pickup

2021-2022 (DD) Ram 3500 Cab Chassis

2021-2022 (DF) Ram 3500 10k Lb. Cab Chassis

2021-2022 (DJ) Ram 2500 Pickup

2021-2022 (DP) Ram 4500/5500 Cab Chassis

2021-2022 (DS) Ram 1500 Classic Pickup

2021-2022 (DX) RAM Mexico

Template Version 1.0

Revision	Edition	Detail
1	January 2026	Remedy now available for DS/DX. Part table updated.

### SYMPTOM DESCRIPTION

The Steering Column Control Module (SCCM) on about 540 of the above vehicles may have an insufficient weld between an internal flexible flat cable (FFC) and busbar. Once the FFC cable separation occurs, an airbag warning light may illuminate in the instrument panel cluster. An airbag that does not deploy when intended may result in increased risk of injury to the driver in certain crashes.

The condition described above does not comply with Federal Motor Vehicle Safety Standard (FMVSS) No. 571.208 requires driver's airbag deployment during certain crash events. The SCCM in the suspect vehicles may not allow a deployment signal from the Occupant Restraint Controller to reach the driver airbag module, preventing airbag deployment during these events.

### SCOPE

This recall applies only to the above vehicles.

NOTE: Some vehicles above may have been identified as not involved in this recall and therefore have been excluded from this recall.

### IMPORTANT:

- Some of the involved vehicles may be in dealer new vehicle inventory. Federal law requires you to complete this recall service on these vehicles before retail delivery. Violation of this requirement by a dealer could result in a civil penalty of up to \$27,874 per vehicle.
- Some of the involved vehicles may be in dealer used vehicle inventory. Dealers should complete this recall service on these vehicles before retail delivery.
- Dealers should also perform this recall on vehicles in for service.

Involved vehicles can be determined by using the VIP inquiry process.

### REPAIR TO BE PERFORMED

Replace the SCCM.

### ALTERNATE TRANSPORTATION

Dealers should proactively minimize customer inconvenience while the recall repair is being performed. Reference the Goodwill Alternate Transportation Guidelines warranty bulletin link within Recall Central on DealerCONNECT for options to support the customer while their vehicle is in service.

# SAFETY RECALL

NORTH AMERICA

## Airbag Warning Light - Clockspring



Reference: 14C / NHTSA 25V-765

FCA US LLC

### COMPLETION REPORTING / REIMBURSEMENT

Claims for vehicles that have been serviced must be submitted on the DealerCONNECT Claim Entry Screen located on the Service tab. Claims paid will be used by FCA to record recall service completions and provide dealer payments.

Use the following labor operation numbers and time allowances:

Labor Description	Number	Hrs
Inspect Steering Column Control Module (SCCM) Repair History	08-14-C1-81	0.2
Inspect and Replace Steering Column Control Module (SCCM) - DJ/D2/DD/DP/DF/DX Models Only	08-14-C1-83	0.7
Inspect and Replace Steering Column Control Module (SCCM) - DS Models Only	08-14-C1-82	0.8

Labor Description	Number	Allowance
Floor Plan Reimbursement	95-95-95-97	Calculate See Below

Floor Plan Reimbursement represents the vehicle's average daily allowance (see table below) multiplied by the number of days the vehicle was in dealer inventory and not available for sale. This reimbursement is limited to the number of days from the date of the stop sale to the date that the remedy was made available. Note: If the vehicle was received by your dealership (KZX date) AFTER the stop sale date, you will use the KZX date instead of the stop sale date. For this Recall, the stop sale for all vehicles was initiated on **11/13/2025**. The remedy for D2, DD, DF DJ and DP was made available on **12/04/2025**, therefore, the number of days cannot exceed **21** days. **The remedy for DS was made available on 1/22/2026, therefore, the number of days cannot exceed 70 days.**

Vehicle	Average Daily Allowance
2021-2022 (DJ) RAM 2500 Pickup	██████
2021-2022 (D2) RAM 3500 Pickup	██████
2021-2022 (DD) RAM 3500 Cab Chassis	██████
2021-2022 (DF) RAM 3500 10K Lb. Cab Chassis	██████
2021-2022 (DP) RAM 4500/5500 Cab Chassis	██████
2021-2022 (DS) RAM 1500 Pickup	██████

Add the cost of the recall parts package plus applicable dealer allowance to your claim.

**NOTE: See the Warranty Administration Manual, Recall Claim Processing Section, for complete recall claim processing instructions.**

For Mobile Service Reimbursement, dealer to include standard dealer entry and mark-up for parts, standard dealer entry and labor rate for service, as well as the special services code for mobile allowance. The special services LOP will only be paid once per VIN and may NOT be used in coordination with any Alternate Transportation claims.

For additional details, reference the Mobile Service Warranty Bulletin - for convenience, a copy has been linked within Recall Central on DealerCONNECT.

# SAFETY RECALL

NORTH AMERICA

## Airbag Warning Light - Clockspring



Reference: 14C / NHTSA 25V-765

FCA US LLC

### PARTS INFORMATION

Part No.	Qty.	Part Name
68528300AA	1	Steering Column Control Module (DS) without NHS (Heated Steering Wheel)
68528301AA	1	Steering Column Control Module (DS) with NHS (Heated Steering Wheel)
68528302AA	1	Steering Column Control Module (D2, DD, DF, DJ, DP and DX) with NHS (Heated Steering Wheel)
68528303AA	1	Steering Column Control Module (D2, DD, DF, DJ, DP and DX) without NHS (Heated Steering Wheel)
06505656AA	1	Screw, Steering Wheel to Column (All)

They are requested to schedule appointments for this service with their dealers. A generic copy of the owner letter is attached.

Dealers are encouraged to consider alternative scheduling and servicing approaches for this recall. This repair does not require hoists or other full service facility special equipment and is a Chrysler Mobile Service approved repair.

### VEHICLE LISTS, GLOBAL RECALL SYSTEM, VIP AND DEALER FOLLOW UP

All involved vehicles have been entered into the DealerCONNECT Global Recall System (GRS) and Vehicle Information Plus (VIP) for dealer inquiry as needed.

GRS provides involved dealers with an updated VIN list of their incomplete vehicles. The owner's name, address and phone number are listed if known. Completed vehicles are removed from GRS within several days of repair claim submission.

To use this system, click on the "Service" tab and then click on "Global Recall System." Your dealer's VIN list for each recall displayed can be sorted by: those vehicles that were unsold at recall launch, those with a phone number, city, zip code, or VIN sequence.

**Dealers must perform this repair on all unsold vehicles before retail delivery.** Dealers should also use the VIN list to follow up with all owners to schedule appointments for this repair.

*Recall VIN lists may contain confidential, restricted owner name and address information that was obtained from the Department of Motor Vehicles of various states. Use of this information is permitted for this recall only and is strictly prohibited from all other use.*

### PARTS RETURN

No parts return required for this campaign.

Render the recalled part unusable and discard.

### SPECIAL TOOLS

Number	Description
NPN	wiTECH MicroPod II / MDP
NPN	Laptop Computer
NPN	wiTECH Software
10187	Remover Tool, Driver's Airbag
C-4755	Trim Stick
2050200100	Remover, Driver Air Bag

### DEALER NOTIFICATION

To view this notification on DealerCONNECT, select "Global Recall System" on the Service tab, then click on the description of this notification.

### OWNER NOTIFICATION / SERVICE SCHEDULING

All involved vehicle owners known to FCA are being notified of the service requirement by first class mail.

### ADDITIONAL INFORMATION

If you have any questions or need assistance in completing this action, please contact your Service and Parts District Manager.

Customer Services / Field Operations  
FCA US LLC.

# SAFETY RECALL

NORTH AMERICA

## Airbag Warning Light - Clockspring



Reference: 14C / NHTSA 25V-765

FCA US LLC

## SERVICE PROCEDURE – DS

### A. Remove SCCM

**WARNING:** To avoid serious or fatal injury on vehicles equipped with airbags, disable the Supplemental Restraint System (SRS) before attempting any steering wheel, steering column, airbag, seat belt tensioner, impact sensor or instrument panel component diagnosis or service. Disconnect and isolate the battery negative (ground) cable, then wait two minutes for the system capacitor to discharge before performing further diagnosis or service. This is the only sure way to disable the SRS. Failure to take the proper precautions could result in accidental airbag deployment.

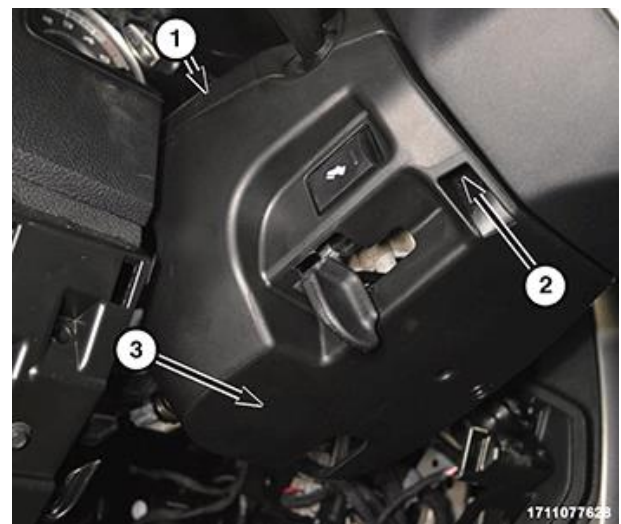
**WARNING:** To avoid serious or fatal injury, use extreme care to prevent any foreign material from entering the Driver AirBag (DAB), or becoming entrapped between the DAB cushion and the DAB trim cover. Failure to observe this warning could result in occupant injuries upon airbag deployment.

**CAUTION:** If the clockspring is not properly centered in relation to the Steering Angle Sensor (SAS), steering wheel, steering shaft and steering gear, it may be damaged or Diagnostic Trouble Codes (DTC) may be set in the SAS. Service replacement clocksprings are shipped pre-centered and with a locking pin installed. This locking pin should not be removed until the clockspring has been installed on the steering column.

1. Place the front wheels in the straight-ahead position.
2. Disconnect and isolate the negative battery cable. If equipped with an Intelligent Battery Sensor (IBS), disconnect the IBS connector first before disconnecting the negative battery cable.
3. Wait 2 minutes for capacitor discharge.
4. From below the steering column, remove the two outboard screws within the recess areas (2) that secure the upper shroud (1) to the lower shroud (3) (Figure 1).

**NOTE:** There are snap connections near the instrument cluster and between the shroud and the steering wheel that secure the upper and lower shroud.

5. Remove the upper shroud (1) by pushing gently inward and upward on both sides of the upper shroud above the parting line of the lower shroud to release the snap features that secure the two shroud halves to each other (Figure 1).
6. Release the steering column tilt lever and lower the column to its most downward position for easiest driver airbag removal access.



**Figure 1 – Steering Column Upper Shroud**

# SAFETY RECALL

NORTH AMERICA

## Airbag Warning Light - Clockspring

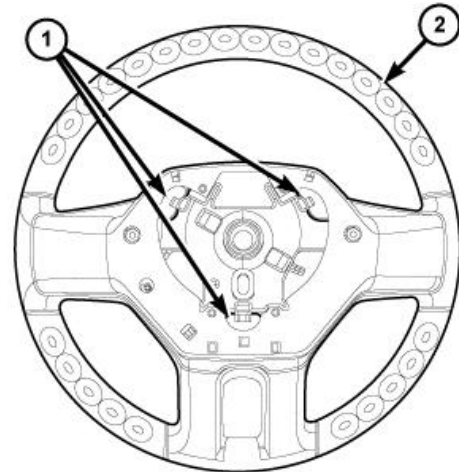


Reference: 14C / NHTSA 25V-765

FCA US LLC

**NOTE: It may be helpful to use a small mirror to aid visibility during the initial attempt to remove the Driver AirBag (DAB) from the steering wheel.**

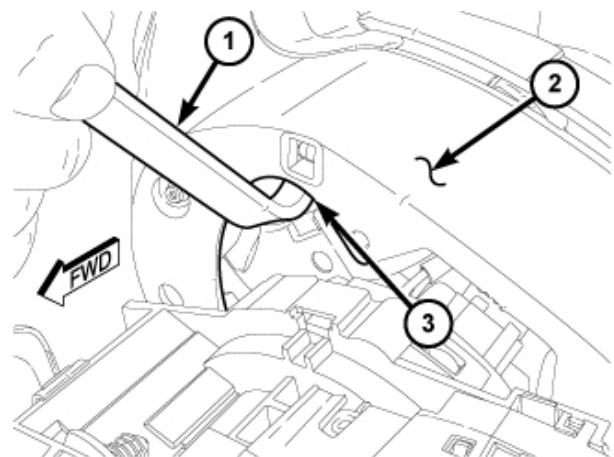
7. There are three airbag retainer access holes (1) on the instrument panel side of the hub of the steering wheel (2), located at the two o'clock, six o'clock and ten o'clock positions. The steering wheel must be rotated to bring each of these access holes up to the twelve o'clock position of the steering column one at a time for removal access (Figure 2).



2128157

**Figure 2 – Airbag Retainer Access Holes**

8. Insert the short blade (Tip A) of the DAB Removal Tool (Special Tool Number 10187 ) (1) or the blade of an equivalent prying tool into either of the upper (two o'clock or ten o'clock) access holes (3) of the steering wheel hub rear trim cover (2), being certain to place the blade of the tool on the inboard (steering wheel hub) side of the airbag snap retainer wire loop (Figure 3).



**Figure 3 – DAB Removal Tool 10187**

# SAFETY RECALL

NORTH AMERICA

## Airbag Warning Light - Clockspring



Reference: 14C / NHTSA 25V-765

FCA US LLC

9. Push the handle of the tool downward for the blade to pry the snap retainer wire loop (3) upward far enough to disengage the loop from the hook of the steering wheel armature. At the same time, gently pull the DAB (1) away from the steering wheel (2) to prevent the retainer from snapping back into place over the hook once it is disengaged (Figure 4).
10. Repeat Steps 7 and 8 at the other upper (two o'clock or ten o'clock) access hole to disengage the other upper snap retainer wire loop.
11. Repeat Steps 7 and 8 at the lower (six o'clock) access hole to disengage the lower snap retainer wire loop. The lower snap retainer wire loop has a distinctive V-shape and must always be installed onto the six o'clock hook of the steering wheel armature.

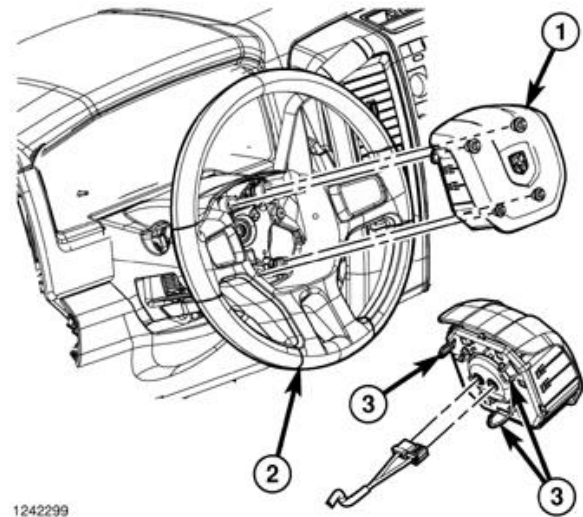


Figure 4 – Airbag Removal

12. Pull the DAB away from the steering wheel far enough to access and disengage the plastic push-in retainer (2) of the clockspring pigtail wire harness (1) from the locator hole (3) at the 12 o'clock position on the back of the airbag housing (Figure 5).

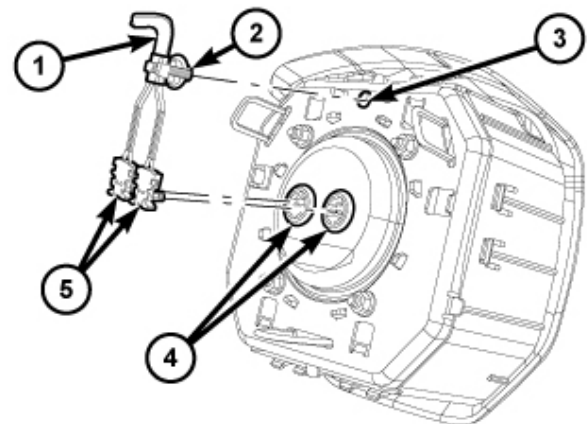


Figure 5 – Pigtail Wiring Harness Retainer

**CAUTION: Do not pull on the clockspring pigtail wires or pry on the connector insulator to disengage the connector from the driver airbag inflator connector receptacle. Improper removal of these pigtail wires and their connector insulators can result in damage to the airbag circuits or connector insulators.**

# SAFETY RECALL

NORTH AMERICA

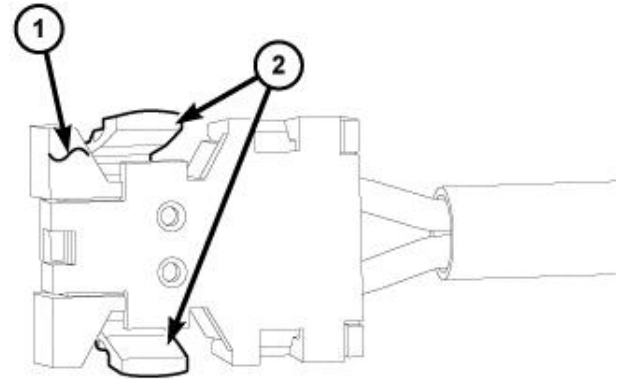
## Airbag Warning Light - Clockspring

Reference: 14C / NHTSA 25V-765



FCA US LLC

13. The clockspring DAB pigtail wire connector insulators (1) are secured by integral latches (2) to the airbag inflator connector receptacles, which are located on the back of the airbag housing. Pinch both latches firmly, then pull the insulators straight out from the airbag inflator to disconnect them from the connector receptacles (Figure 6).
14. Remove the DAB from the steering wheel.
15. Remove the steering wheel bolt and **DISCARD**.



2128907

Figure 6 – Connector Insulator Latches

16. Disconnect the wire harness connectors (1) and (2) (Figure 7).
17. Remove the steering wheel.

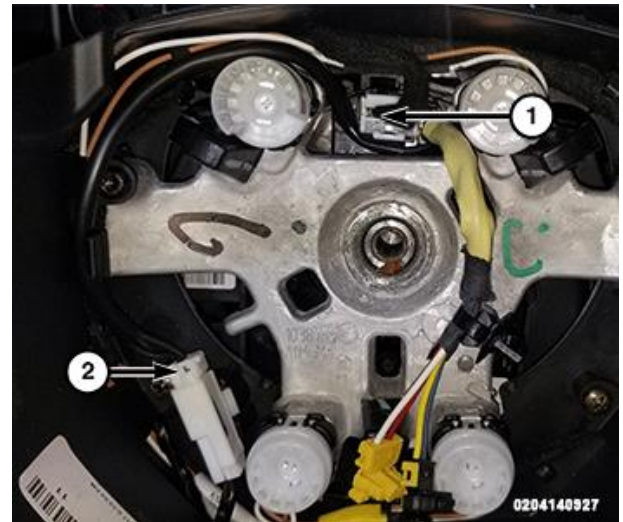


Figure 7 – Wire Harness Connectors

# SAFETY RECALL

NORTH AMERICA

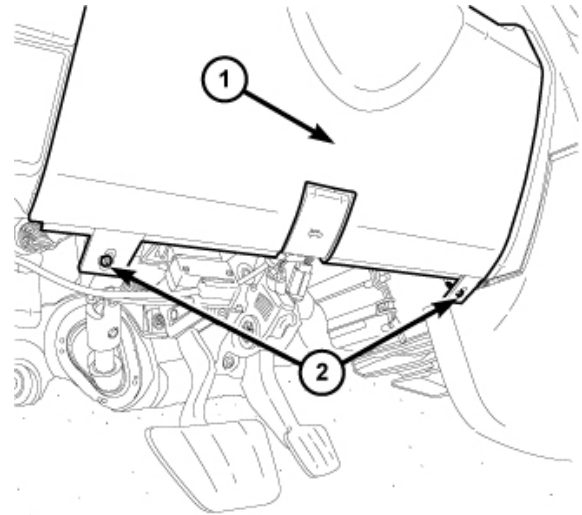
## Airbag Warning Light - Clockspring



Reference: 14C / NHTSA 25V-765

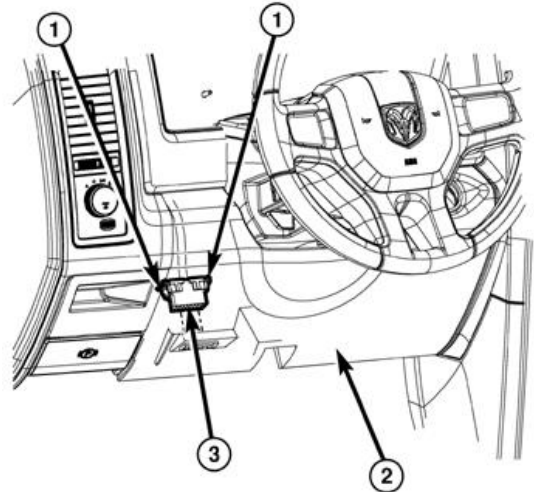
FCA US LLC

18. Using a trim stick C-4755 or equivalent, disengage the retainer clip that secures the hood release to the steering column opening cover, and remove the hood release handle from the cover (Figure 8).
19. Remove the two fasteners (2) that secure the bottom of the steering column opening cover (1) to the instrument panel (Figure 8).



**Figure 8 – Steering Column Opening Cover**

20. Remove the Data Link Connector (3) from the steering column opening cover (2) by pressing in the tabs (1) and pushing the connector through the opening on the back side of the cover (Figure 9).



1423311

**Figure 9 – Data Link Connector**

# SAFETY RECALL

NORTH AMERICA

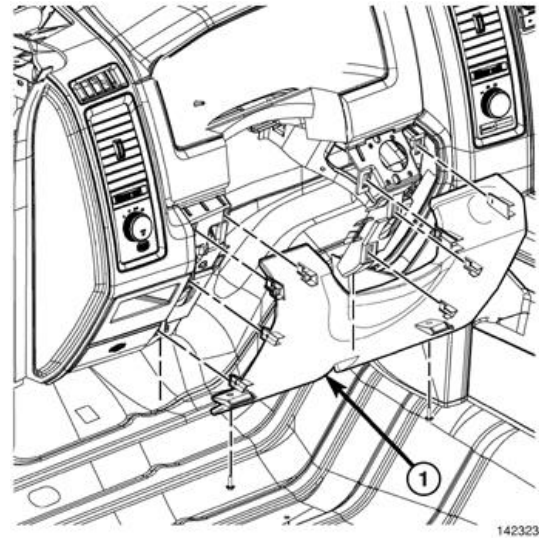
## Airbag Warning Light - Clockspring



Reference: 14C / NHTSA 25V-765

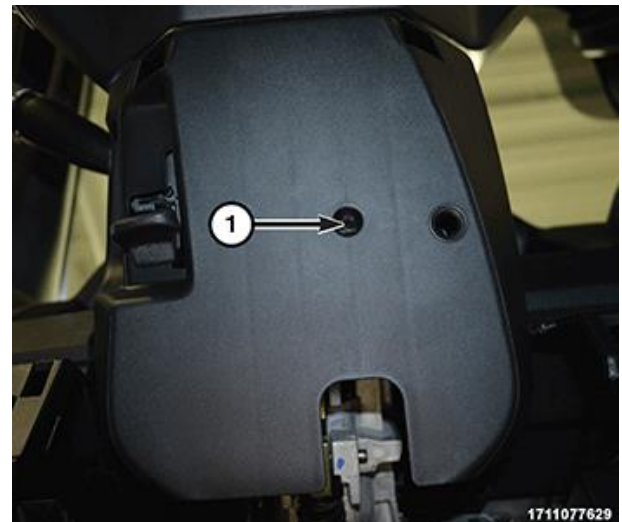
FCA US LLC

21. Using a trim stick C-4755 or equivalent, release the retainer clips that secure the steering column opening cover (1) to the instrument panel and remove the cover (Figure 10).
22. Disconnect necessary wire harness connectors.



**Figure 10 – Steering Column Opening Cover**

23. Remove the lower shroud to column retaining screw (1) and carefully move the lower shroud over the steering column tilt lever and off the steering column (Figure 11).



**Figure 11 – Steering Column Lower Shroud**

# SAFETY RECALL

NORTH AMERICA

## Airbag Warning Light - Clockspring

Reference: 14C / NHTSA 25V-765



FCA US LLC

24. Remove the screw (1) (Figure 12).

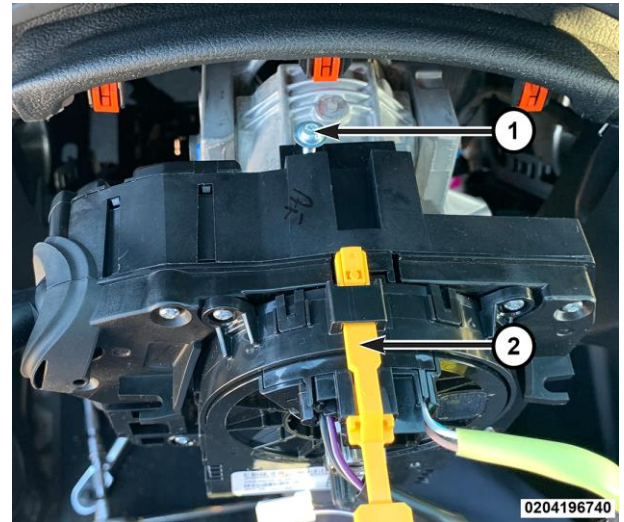


Figure 12 – SCCM Screw

25. Remove the screw (1) (Figure 13).
26. Pull the SCCM slightly away from the steering column and disconnect the pedal adjustment wire harness connector, if equipped.

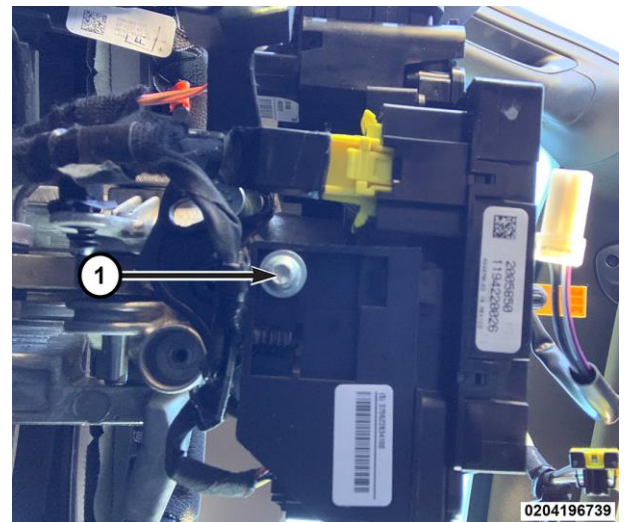


Figure 13 – SCCM Screw

# SAFETY RECALL

NORTH AMERICA

## Airbag Warning Light - Clockspring



Reference: 14C / NHTSA 25V-765

FCA US LLC

27. Remove the SCCM from the steering column (Figure 14).
28. Disengage the wire harness routing clip (1) (Figure 14).
29. Disconnect the wire harness connectors (2 & 3) (Figure 14).
30. Remove the SCCM from the vehicle.

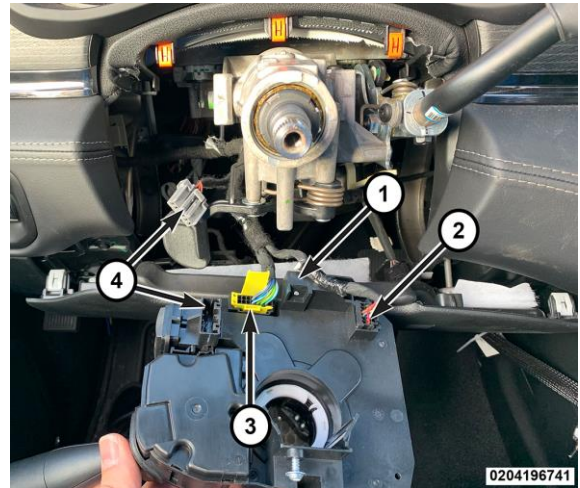


Figure 14 – SCCM Removal

31. Release the stalk tab from the old SCCM (Figures 15).
32. Remove the stalk from the old SCCM (Figures 16).
33. Discard the old SCCM
34. Transfer the old stalk to the **NEW** SCCM (Figure 16).



Figure 15 – SCCM Stalk



Figure 16 – SCCM Removal and Installation

Strictly respect STELLANTIS Group safety, cleanliness, and environmental instructions for any vehicle service.  
Document exclusively reserved for dealer information. Internal distribution to be ensured by dealer.  
Reproduction forbidden without the written agreement of STELLANTIS Group. (C) 2025 STELLANTIS Group. All Rights Reserved

(dit)

# SAFETY RECALL

NORTH AMERICA

## Airbag Warning Light - Clockspring



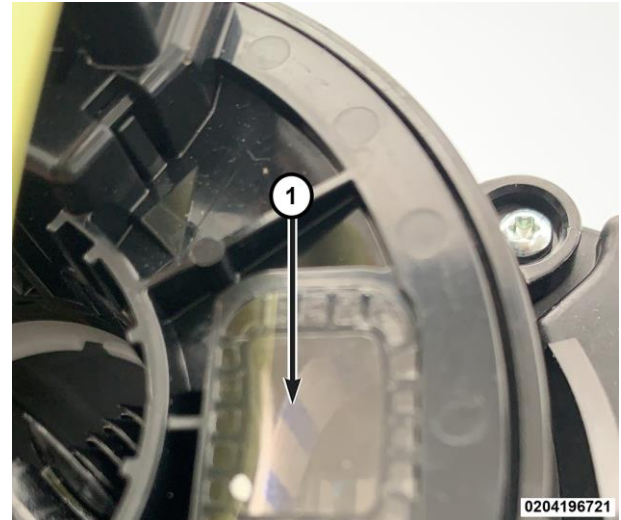
Reference: 14C / NHTSA 25V-765

FCA US LLC

### **B. Install SCCM**

**NOTE: The Steering Column Control Module (SCCM) centering can be verified by visually confirming the blue striped ribbon is present in the sight glass (Figure 17).**

1. Connect the wire harness connectors (2&3) (Figure 14).
2. Secure the wire harness routing clip (1) (Figure 14).
3. While sliding the SCCM over the steering column connect the pedal adjustment wire harness connector, if equipped.
4. Install and securely tighten the screws (1) (Figures 12 & 13).
5. Remove the lock tab or any other device that is being used to secure the SCCM rotor to the SCCM case to maintain SCCM centering.



**Figure 17 – Blue Stripe Ribbon**

6. Install the lower shroud, shroud to column retaining screw (1) and tighten securely (Figure 11).

**NOTE: If the vehicle is equipped with an automatic transmission, be certain to engage the gearshift lever boot into the opening in both shroud halves.**

7. Lift the steering column opening cover into position. Connect necessary wire harness connectors.
8. Align the retainer clips that secure the steering column opening cover (1) to the instrument panel and install the cover (Figure 10).
9. Install the Data Link Connector (3) to the steering column opening cover (2) through the opening on the back side of the cover (Figure 9).
10. Install the two fasteners (2) that secure the bottom of the steering column opening cover (1) to the instrument panel and tighten securely (Figure 8).
11. Engage the retainer clip that secures the hood release to the steering column opening cover (Figure 8).

**NOTE: Do not reuse the old steering wheel bolt (a new bolt must be used)**

12. Align the steering column control module (SCCM) lug and install steering wheel to the column.

**NOTE: Be certain that the steering wheel mounting bolt is tightened to the proper torque specification to ensure proper clockspring operation.**

13. Install the **NEW** steering wheel bolt. Tighten the bolt to 61 N·m (45 ft. lbs.).
14. Connect the wire harness connectors (1) and (2) (Figure 7).

# SAFETY RECALL

NORTH AMERICA

## Airbag Warning Light - Clockspring



Reference: 14C / NHTSA 25V-765

FCA US LLC

15. Position the Driver AirBag (DAB) close enough to the steering wheel to reconnect the two clockspring DAB pigtail wire (1) electrical connections (5) to the inflator connector receptacles (4) on the back of the airbag housing (Figure 5).
16. Reconnect the wire connectors to the airbag inflator connector receptacles by pressing straight in on the connector insulator. Be certain to engage each keyed and color-coded connector to the matching connector receptacle. You can be certain that each connector is fully engaged in its receptacle by listening carefully for a distinct, audible click as the connector latches snap into place.
17. Be certain to fully engage the plastic push-in retainer (2) of the clockspring pigtail wires into the locator hole (3) at the 12 o'clock position on the back of the airbag housing (Figure 5).
18. Carefully position the DAB (1) into the hub cavity of the steering wheel (2). Be certain that the clockspring pigtail wires and the steering wheel wire harness are not pinched between the DAB and the horn switch, the steering wheel armature or, on vehicles equipped with a diesel engine, the steering wheel damper weight (Figure 4).
19. Engage the lower airbag snap retainer wire loop (3) onto the lower hook of the steering wheel armature. The lower snap retainer wire loop has a distinctive V-shape and must always be installed onto the six o'clock hook of the steering wheel armature (Figure 4).
20. Roll the DAB upwards and press firmly and evenly over the two upper snap retainer wire loop locations simultaneously until they snap into place over the two upper hooks of the steering wheel armature.

**NOTE: If the vehicle is equipped with an automatic transmission, be certain to engage the gearshift lever boot into the opening in both shroud halves.**

21. Position the upper shroud (1) onto the steering column over the lower shroud (3) (Figure 1).
22. Align the snaps features on the upper and lower shroud halves and apply hand pressure to snap together.
23. From below the steering column, install the two outboard screws within the recess areas (2) that secure the upper shroud (1) to the lower shroud (3) (Figure 1).

**NOTE: Do not reconnect the negative cable to the battery at this time. The Supplemental Restraint System (SRS) Verification Test procedure should be performed following service of any SRS component.**

**NOTE: The following procedure should be performed using a diagnostic scan tool to verify proper Supplemental Restraint System (SRS) operation following the service or replacement of any SRS component. Refer to the appropriate diagnostic procedures.**

24. During the following test, the negative cable remains disconnected and isolated from the battery, as it was during the Supplemental Restraint System (SRS) component removal and installation procedures.

# SAFETY RECALL

NORTH AMERICA

## Airbag Warning Light - Clockspring



Reference: 14C / NHTSA 25V-765

FCA US LLC

25. Be certain that the diagnostic scan tool contains the latest version of the proper diagnostic software. Connect the scan tool to the 16-way Data Link Connector (DLC) (2). The DLC is located on the driver side lower edge of the instrument panel, near the steering column opening cover (1) and outboard of the steering column (Figure 18).

26. Transition the status of the ignition switch (also known as the Keyless Ignition Node/KIN or Ignition Node Module/IGNM) to ON and exit the vehicle with the scan tool.

27. Check to be certain that nobody is in the vehicle, then connect the negative cable to the battery.

28. Using the scan tool, read and record the active (current) Diagnostic Trouble Code (DTC) data.

29. Next, use the scan tool to read and record any stored (historical) DTC data.

30. If any DTC is found in **Step 28** or **Step 29**, refer to the appropriate diagnostic information.

31. Use the scan tool to erase the stored DTC data. If any problems remain, the stored DTC data will not erase. Refer to the appropriate diagnostic information to diagnose any stored DTC that will not erase. If the stored DTC information is successfully erased, go to **Step 32**.

32. Transition the status of the ignition switch to OFF for about 15 seconds, and then back to ON. Observe the airbag indicator in the instrument cluster. It should light from four to six seconds, and then go out. This indicates that the SRS is functioning normally and that the repairs are complete. If the airbag indicator fails to light, or lights and stays ON, there is still an active SRS fault or malfunction. Refer to the appropriate diagnostic information to diagnose the problem.

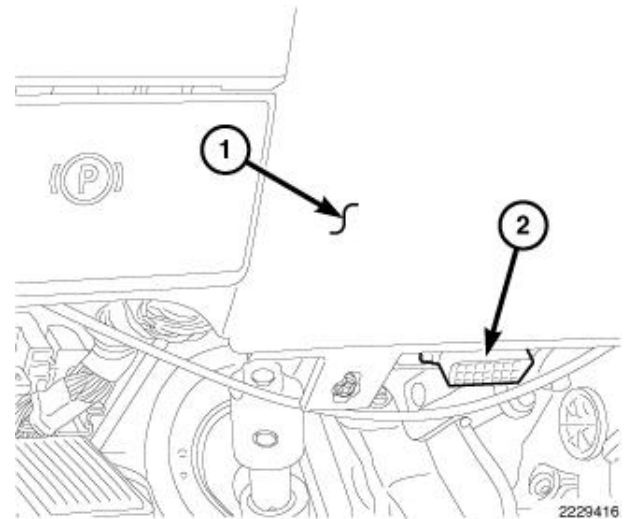


Figure 18 – DLC

**NOTE: Proper SCCM installation must also be confirmed by viewing the SAS menu item, Data Display function using a diagnostic scan tool.**

# SAFETY RECALL

NORTH AMERICA

## Airbag Warning Light - Clockspring



Reference: 14C / NHTSA 25V-765

FCA US LLC

### SERVICE PROCEDURE – DP, DJ, DF, DD AND D2 (DX FOR MEXICO)

#### C. Remove SCCM

**WARNING:** To avoid serious or fatal injury on vehicles equipped with airbags, disable the Supplemental Restraint System (SRS) before attempting any steering wheel, steering column, airbag, seat belt tensioner, impact sensor or instrument panel component diagnosis or service. Disconnect and isolate the battery negative (ground) cable, then wait two minutes for the system capacitor to discharge before performing further diagnosis or service. This is the only sure way to disable the SRS. Failure to take the proper precautions could result in accidental airbag deployment.

**WARNING:** To avoid serious or fatal injury, use extreme care to prevent any foreign material from entering the Driver AirBag (DAB), or becoming entrapped between the DAB cushion and the DAB trim cover. Failure to observe this warning could result in occupant injuries upon airbag deployment.

**CAUTION:** If the clockspring is not properly centered in relation to the Steering Angle Sensor (SAS), steering wheel, steering shaft and steering gear, it may be damaged or Diagnostic Trouble Codes (DTC) may be set in the SAS. Service replacement clocksprings are shipped pre-centered and with a locking pin installed. This locking pin should not be removed until the clockspring has been installed on the steering column.

1. Place the front wheels in the straight-ahead position.

**NOTE:** If the vehicle is equipped with an auxiliary battery, when disconnecting and isolating the negative battery cable for the 12-volt system, both batteries will need to be disconnected to power down the vehicle.

2. Disconnect the Intelligent Battery Sensor (IBS) wire harness connector (1) (Figure 19).

**NOTE:** Failure to disconnect the IBS wire harness connector can lead to damage of the IBS wire harness connector.

3. Loosen the ground terminal nut (2) and remove the negative battery cable with IBS from the battery and isolate it.

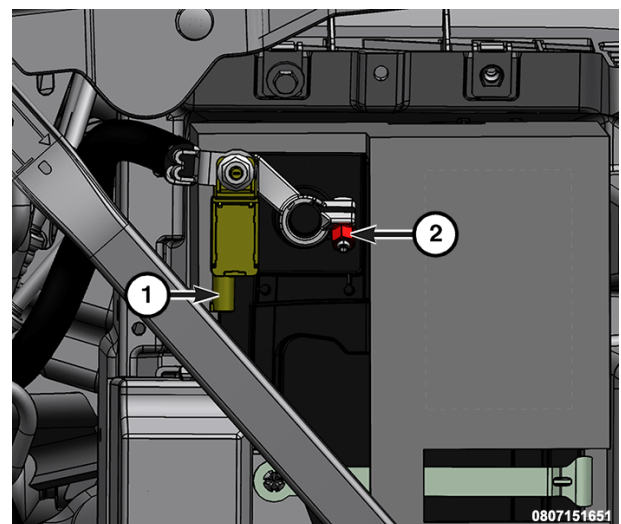


Figure 19 – IBS Connector

# SAFETY RECALL

NORTH AMERICA

## Airbag Warning Light - Clockspring



Reference: 14C / NHTSA 25V-765

FCA US LLC

4. If the vehicle is equipped with an auxiliary battery, Loosen the clamp (1) and remove the clamp from the battery and isolate.

**NOTE: If the vehicle is equipped with an auxiliary battery, install the negative clamp on the negative battery post and tighten to the proper torque specifications prior to connecting the IBS.**

5. Wait 2 minutes for capacitor discharge.
6. Locate the access hole dimples (1) in the lower surface of the steering wheel hub rear trim cover near each of the two horizontal spokes.
7. Using the Remover, Driver Air Bag 2050200100, pierce the trim cover at the dimple and insert it through one of the steering wheel access holes. A guide and notch integral to each side of the steering wheel hub rear trim cover and the mounting/horn switch plate will assist in directing the tool to the ends of the retainer spring (Figure 20).



1022127273

**Figure 20 – DAB Removal**

8. When the tool makes contact with the retainer spring, push inward (toward the steering column) on the tool far enough to disengage the retainer spring from under the hook of the steering wheel armature.
9. Pull the released side of the DAB away from the steering wheel far enough to insert a trim stick or another long and thin obstacle between the released spoke of the DAB trim cover and the steering wheel spoke hub cavity. This will help to prevent the released end of the retainer spring from becoming accidentally engaged again while the opposite end of the retainer spring is being released.
10. Repeat Steps 6 and 7 for the opposite end of the retainer spring.

# SAFETY RECALL

NORTH AMERICA

## Airbag Warning Light - Clockspring

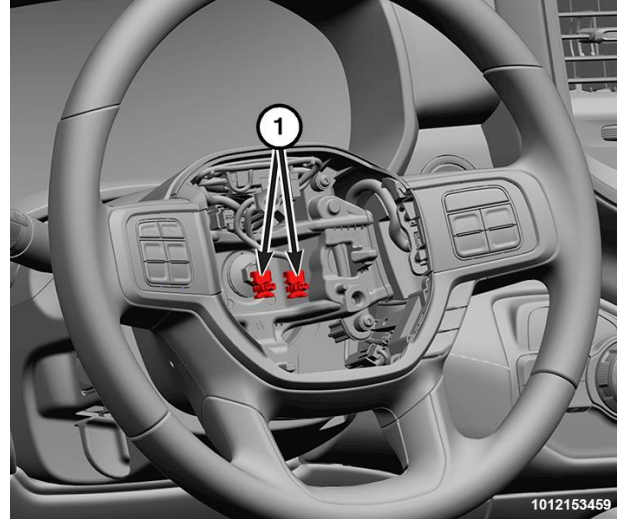


Reference: 14C / NHTSA 25V-765

FCA US LLC

11. Pull the DAB away from the steering wheel far enough to access the steering wheel wire harness connector to the DAB inflator initiators (1) (Figure 21).

**CAUTION:** Do not pull on the clockspring pigtail wires or pry on the connector insulators to disengage them from the Driver AirBag (DAB) inflator initiator connector receptacles. Improper removal of these pigtail wires and their connector insulators can result in damage to the airbag circuits or the connector insulators.



**Figure 21 – Steering Wheel Wire Harness Connectors**

# SAFETY RECALL

NORTH AMERICA

## Airbag Warning Light - Clockspring

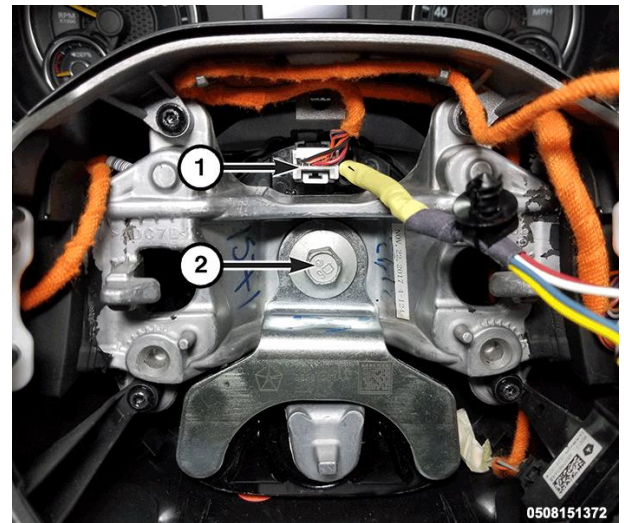


Reference: 14C / NHTSA 25V-765

FCA US LLC

12. The clockspring DAB pigtail wire connector insulators are secured by integral latches and a Connector Position Assurance (CPA) lock to the airbag tether cutter and inflator connector receptacles, which are located on the back of the floating horn switch plate and the DAB housing. Pull the lock straight away from the connector insulator, then pull the insulators straight away from the connector receptacles to disengage and disconnect them (Figure 21).
13. Remove the DAB and floating horn switch plate from the steering wheel as a unit.
14. Disconnect the steering wheel wire harness connectors (1) (Figure 22).
15. If equipped, disconnect the heated steering wheel wire harness connectors.
16. Remove and **DISCARD** the steering wheel bolt (2) and retain the damper if equipped (Figure 22).

**NOTE:** If the steering wheel cannot be removed by hand, a commercially available puller may be used to remove the steering wheel.



**Figure 22 – Steering Wheel Wire Harness Connectors**

17. Remove the three steering column shroud screws (Figure 23).



**Figure 23 – Steering Column Shroud Screws**

# SAFETY RECALL

NORTH AMERICA

## Airbag Warning Light - Clockspring

Reference: 14C / NHTSA 25V-765



FCA US LLC

18. If equipped, release the shifter boot (1) from the steering column shroud (Figure 24).
19. Disengage the upper steering column shroud tabs (2) from the lower steering column shroud (Figure 24).

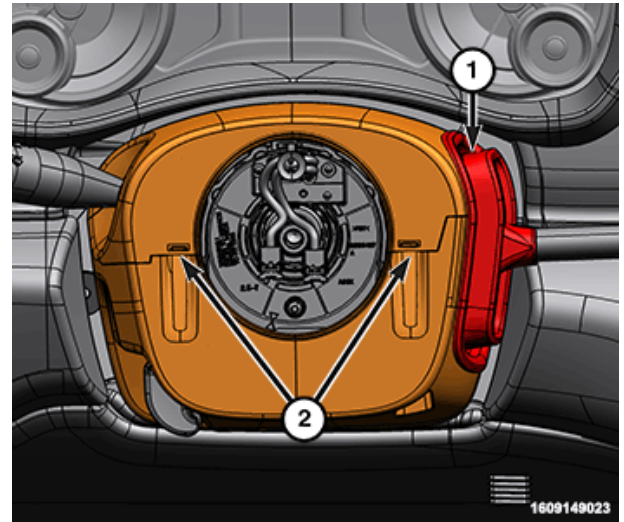


Figure 24 – Steering Column Shroud

20. Disengage the gap hider (1) from the upper steering column shroud (2) and remove the upper steering column shroud (Figure 25).



1609152890

Figure 25 – Gap Hider

# SAFETY RECALL

NORTH AMERICA

## Airbag Warning Light - Clockspring

Reference: 14C / NHTSA 25V-765



FCA US LLC

21. Remove the lower steering column shroud screws (2), then the shroud (1) (Figure 26).



Figure 26 – Lower Steering Column Shroud

22. Secure the SCCM in the straight-ahead position.
23. Remove the screws (1) (Figure 27 and 28).

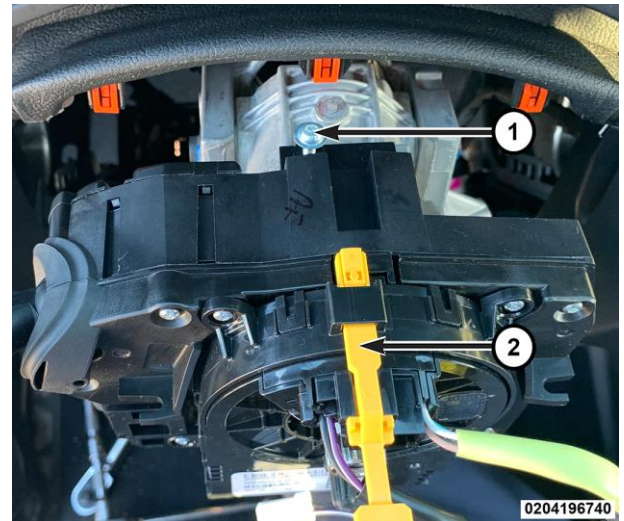


Figure 27 – SCCM

# SAFETY RECALL

NORTH AMERICA

## Airbag Warning Light - Clockspring

Reference: 14C / NHTSA 25V-765



FCA US LLC

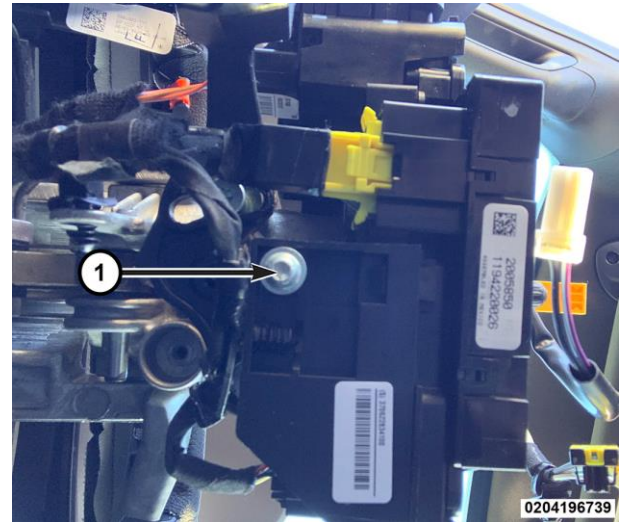


Figure 28 – SCCM

24. Pull the SCCM slightly away from the steering column and disconnect the pedal adjustment wire harness connector (4), if equipped (Figure 29).
25. Remove the SCCM from the steering column.
26. Disengage the wire harness routing clip (1) (Figure 29).
27. Disconnect the wire harness connectors (2 & 3) (Figure 29).
28. Remove the SCCM from the vehicle.

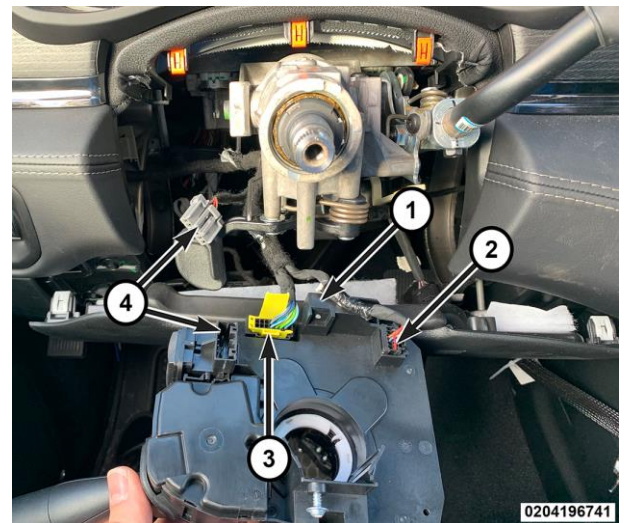


Figure 29 – SCCM

**SAFETY RECALL**  
NORTH AMERICA  
**Airbag Warning Light - Clockspring**



Reference: 14C / NHTSA 25V-765

FCA US LLC

29. Release the stalk tab from the old SCCM (Figures 30).
30. Remove the stalk from the old SCCM (Figures 31).
31. Discard the old SCCM.
32. Transfer the old stalk to the **NEW** SCCM.



**Figure 30 – Stalk Tab**



**Figure 31 – Stalk Removal and Installation**

# SAFETY RECALL

NORTH AMERICA

## Airbag Warning Light - Clockspring



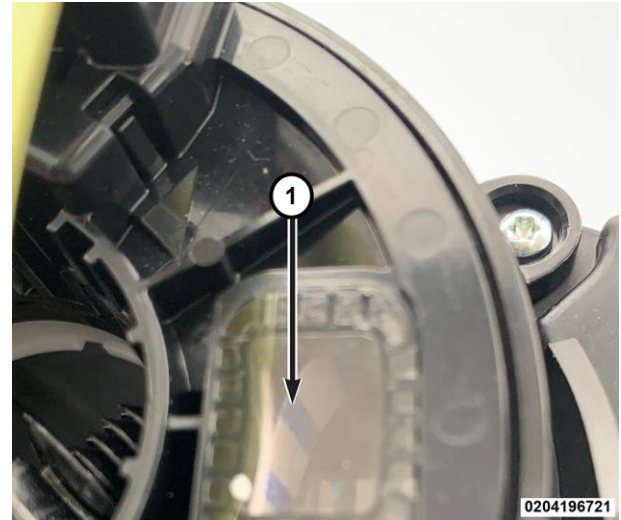
Reference: 14C / NHTSA 25V-765

FCA US LLC

### D. Install SCCM

**NOTE: The Steering Column Control Module (SCCM) centering can be verified by visually confirming the blue striped ribbon is present in the sight glass (Figure 32).**

1. Connect the wire harness connectors (2 & 3) (Figure 29).
2. Secure the wire harness routing clip (1) (Figure 29).
3. While sliding the **NEW** SCCM over the steering column connect the pedal adjustment wire harness connector.
4. Install and securely tighten the SCCM screws (1) (Figure 27 and 28).
5. Position the lower steering column (1) shroud to the steering column (Figure 26).
6. Engage the upper steering column shroud (2) to the gap hider (1) (Figure 25). **Verify that the top shroud is properly secured to the gap hider. Move the tilt column up and down to ensure the gap hider stays connected to the upper shroud.**
7. Install the upper steering column shroud to the lower steering column shroud (Figure 24).
8. If equipped, install the shifter boot to the steering column shroud.
9. Install and securely tighten the three steering column shroud screws (2) (Figure 23).
10. If equipped, connect the heated steering wheel wire harness connectors and secure the steering wheel wire harness.
11. Install the steering wheel to the steering column.
12. If equipped, position the damper to the steering wheel, then install a **NEW** steering wheel bolt and tighten the nut to 61 N·m (45 ft. lbs.) (Figure 22).
13. Connect the two steering wheel wire harness connectors (Figure 21).
14. Position the DAB close enough to the steering wheel to connect the steering wheel wire harness connectors to the DAB inflator initiators (1) (Figures 21 and 22).
15. Connect the clockspring pigtail wire connectors to the airbag inflator initiator connector receptacles by pressing straight in on the connector insulator. Be certain to engage each keyed and color-coded connector to the matching connector receptacle. Be certain that each connector is fully engaged in its receptacle, then push the connector lock straight into the connector to lock it in place.



**Figure 32 – Blue Stripe Ribbon**

# SAFETY RECALL

NORTH AMERICA

## Airbag Warning Light - Clockspring



Reference: 14C / NHTSA 25V-765

FCA US LLC

16. Carefully position the DAB to the steering wheel hub cavity while tugging lightly upward on the clockspring pigtail wires for the airbag and tucking the wires in the upper hub cavity of the steering wheel. Be certain that none of the steering wheel wiring is pinched between the airbag housing or the horn switch and the steering wheel armature.
17. Using both hands, push firmly and evenly on both sides of the DAB trim cover until both ends of the spring retainer have snapped in place under the hooks within the hub cavity of the steering wheel.
18. Do not connect the negative cable to the battery at this time. The Supplemental Restraint System (SRS) Verification Test procedure should be performed following service of any SRS component.

**NOTE: The following procedure should be performed using a diagnostic scan tool to verify proper Supplemental Restraint System (SRS) operation following the service or replacement of any SRS component. Refer to the appropriate diagnostic procedures.**

19. During the following test, the negative cable remains disconnected and isolated from the battery, as it was during the Supplemental Restraint System (SRS) component removal and installation procedures.
20. Be certain that the diagnostic scan tool contains the latest version of the proper diagnostic software. Connect the diagnostic scan tool to the 16-way Data Link Connector (DLC). The DLC is located on the driver side lower edge of the instrument panel, near the steering column opening cover and outboard of the steering column.
21. Check to be certain that there are no occupants in the vehicle, then connect the negative battery cable. If equipped with an Intelligent Battery Sensor (IBS), connect the IBS connector.
22. If the vehicle is equipped with Keyless Go, follow the warning below.

**WARNING: After disconnecting the 12-Volt battery wait two minutes before proceeding. Remove the ORC fuses, connect the 12-Volt battery, wait two minutes before proceeding. Cycle the ignition to the on position, then reconnect the orc fuses. Failure to follow these instructions may result in possible serious or fatal injury.**

23. For vehicles with a standard ignition follow the warning below.

**WARNING: Turn the ignition on, then reconnect the 12-Volt battery. Failure to follow these instructions may result in possible serious or fatal injury.**

24. Exit the vehicle with the diagnostic scan tool.
25. Using the diagnostic scan tool, read and record the active (current) Diagnostic Trouble Code (DTC) data.
26. Next, use the diagnostic scan tool to read and record any stored (historical) DTC data.
27. If any DTC is found in **Step 25** or **Step 26**, refer to the appropriate diagnostic information.
28. Use the diagnostic scan tool to erase the stored DTC data. If any problems remain, the stored DTC data will not erase. Refer to the appropriate diagnostic information to diagnose any stored DTC that will not erase. If the stored DTC information is successfully erased, go to **Step 29**.

# SAFETY RECALL

NORTH AMERICA

## Airbag Warning Light - Clockspring



Reference: 14C / NHTSA 25V-765

FCA US LLC

29. Turn the ignition switch **OFF** for about 15 seconds, and then back to **ON**. Observe the airbag indicator in the instrument cluster. It should light from four to six seconds, and then go out. This indicates that the SRS is functioning normally and that the repairs are complete. If the airbag indicator fails to light, or lights and stays ON, there is still an active SRS fault or malfunction. Refer to the appropriate diagnostic information to diagnose the problem.

**NOTE: Proper SCCM installation must also be confirmed by viewing the SAS menu item, Data Display function using a diagnostic scan tool.**

This notice applies to your vehicle,

[Model Year and Model]

VIN XXXXXXXXXXXXXXXXXXXX

14C/NHTSA 25V-765

LOGO

VEHICLE PICTURE

#### YOUR SCHEDULING OPTIONS

**1. RECOMMENDED OPTION**

Call your authorized Chrysler / Jeep® / Dodge / RAM Dealership.

**2. Call the FCA Recall Assistance**

Center at **1-800-853-1403**. An agent can confirm part availability and help schedule an appointment.

**3. Visit [recalls.mopar.com](https://recalls.mopar.com), scan the**

QR code below, or download the Mopar Owner's Companion App.

QR Code

Get access to recall notifications, locate your nearest dealer, and more through this website or Mopar Owner's Companion App. You will be asked to provide your Vehicle Identification Number (VIN) to protect and verify your identity. The last eight characters of your VIN are provided above.

#### DEALERSHIP INSTRUCTIONS

Please reference Safety Recall 14C.

# IMPORTANT SAFETY RECALL

## Airbag Warning Light - Clockspring

Dear [Name],

This notice is sent to you in accordance with the National Traffic and Motor Vehicle Safety Act.

FCA US LLC has decided that certain [2021-2022 Model Year (DS) Ram 1500 Classic vehicles, 2021-2022 Model Year (DJ) Ram 2500 vehicles, 2021-2022 Model Year (D2) Ram 3500 vehicles, 2021-2022 Model Year (DD) Ram 3500 Cab Chassis vehicles, 2021-2022 Model Year (DF) Ram 3500 Cab Chassis vehicles, with a gross vehicle weight rating (GVWR) less than 10,000 lbs., 2021-2022 Model Year (DP) Ram 4500 Cab Chassis vehicles, and 2021-2022 Model Year (DP) Ram 5500 Cab Chassis vehicles] vehicles fail to comply with Federal Motor Vehicle Safety Standard (FMVSS) No. 208 - Occupant crash protection.

It is extremely important to take steps now to repair your vehicle to ensure the safety of you and your passengers.

#### WHY DOES MY VEHICLE NEED REPAIRS?

The Steering Column Control Module (SCCM) on your vehicle <sup>[1]</sup> may have been built with an insufficient weld between an internal flexible flat cable (FFC) and busbar, which can illuminate the airbag warning light and stop a deployment signal from the Occupant Restraint Controller from reaching the driver airbag module, preventing airbag deployment when directed. **An airbag that does not deploy when intended may result in increased risk of injury to the driver in certain crashes.**

The condition above fails to comply with the requirements of FMVSS No. 208 which requires driver's airbag deployment during certain crash events. Suspect SCCMs may prevent airbag deployment during these events.

#### HOW DO I RESOLVE THIS IMPORTANT SAFETY ISSUE?

FCA US LLC will repair your vehicle <sup>[2]</sup> free of charge (parts and labor). To do this, your dealer will replace the SCCM. The estimated repair time is 45 minutes. In addition, your dealer will require your vehicle for proper check-in, preparation, and check-out during your visit, which may require more time. Your time is important to us, so we recommend that you schedule a service appointment to minimize your inconvenience. Ask your dealer for alternate transportation options while your vehicle is in service. Please bring this letter with you to your dealership.

**TO SCHEDULE YOUR FREE REPAIR,  
CALL YOUR CHRYSLER, JEEP®, DODGE OR RAM DEALER TODAY**

#### WHAT IF I ALREADY PAID TO HAVE THIS REPAIR COMPLETED?

If you have already experienced this specific condition and have paid to have it repaired, you may visit [www.fcarecallreimbursement.com](https://www.fcarecallreimbursement.com) to submit your reimbursement request online. <sup>[3]</sup> Once we receive and verify the required documents, reimbursement will be sent to you within 60 days. If you have had previous repairs performed and/or already received reimbursement, you may still need to have the recall repair performed.

We apologize for any inconvenience, but are sincerely concerned about your safety. Thank you for your attention to this important matter.

Customer Assistance/Field Operations  
FCA US LLC



**Mr. Mrs. Customer**  
**1234 Main Street**  
**Hometown, MI 48371**

[1] If you no longer own this vehicle, please help us update our records. Call the FCA Recall Assistance Center at 1-800-853-1403 to update your information.

[2] If your dealer fails or is unable to remedy this defect without charge and within a reasonable time, you may submit a written complaint to the Administrator, National Highway Traffic Safety Administration, 1200 New Jersey Ave., S.E., Washington, DC 20590, or you can call the toll-free Vehicle Safety Hotline at 1-888-327-4236 (TTY 1-888-275-9171), or go to [safercar.gov](http://safercar.gov).

[3] You can also mail in your original receipts and proof of payment to the following address for reimbursement consideration: FCA Customer Assistance, P.O. Box 21-8004, Auburn Hills, MI 48321-8007, Attention: Recall Reimbursement.

Note to lessors receiving this recall notice: Federal regulation requires that you forward this recall notice to the lessee within 10 days.