

# SAFETY RECALL

Volvo Trucks North America

Greensboro, NC USA

# VOLVO

---

Date	Number	Release	Page
12. 2025	RVXX2510	01	1(8)

## Passenger Toolbox Seat Seatbelt Anchor VAH

### RECALL INFORMATION

(December 2025)

Certain Volvo VAH vehicles may be equipped with a fixed passenger seat belt anchor that does not meet requirements for FMVSS 210 S4.2 due to inadequate floor reinforcement. In the event of an accident, the passenger seat belt anchor may fail, increasing the risk of injury.

Volvo Trucks has not received any complaints or reports of vehicle crashes because of this safety issue; therefore, Volvo considers this as a proactive measure to protect the public and Volvo's customers from the potential risk associated with this defect.

To correct this safety issue, the passenger toolbox seatbelt anchor weld nuts must be removed and replaced with the fabricated flange nuts provided in the kit.

### VEHICLES AFFECTED

Certain MY 2019-2026 VAH vehicles manufactured between November 2<sup>nd</sup>, 2018, and May 26<sup>th</sup>, 2025.

### VEHICLE QUANTITY

There are 261 vehicles affected by this recall (242 U.S., 19 Canada).

### Required tools

- Calibrated torque wrench
- Epoxy applicator (each shop location is allowed one applicator).

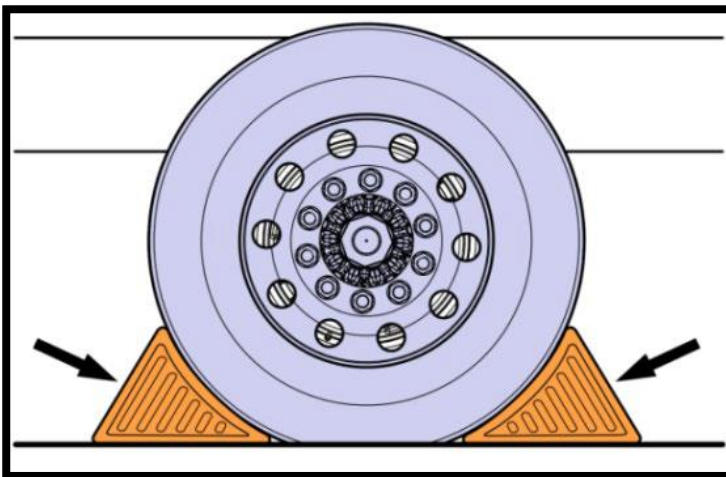
Example [50ml Dispensing Gun Kit](#)

### Parts

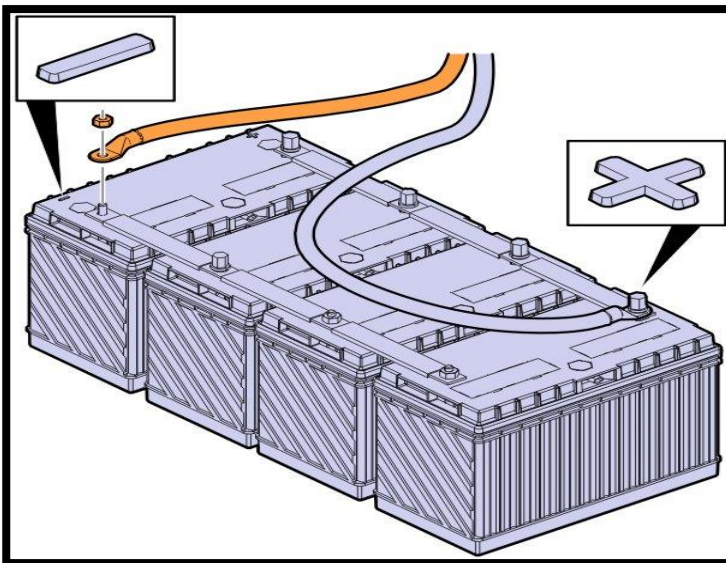
Part Number	Part description	Quantity
24695924	Repair Kit	1
979624	7/16-20	1

### Repair Instructions

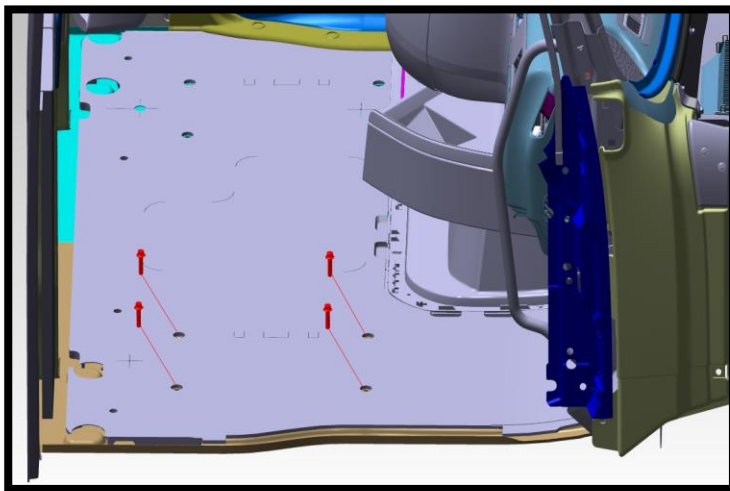
1. Secure vehicle for service by parking on a flat and level surface.
2. Apply parking brake.
3. Place the transmission in neutral or park.
4. Install the wheel chocks.



5. Disconnect the battery from the negative terminal.



6. Raise the passenger side seat up, locate and remove the four mounting bolts securing the seat to the floor.



7. Remove the passenger seat.
8. Using a 5/8 socket, remove the bolt and seat belt.



9. Remove the bolt from the seat belt and reinstall the bolt back into the seat belt anchor weld nut.

- 10. Using a hammer, tap the bolt back forth in different directions to break the welds loose, once the welds are loose hit down on the head of the bolt to knock the weld nut free from the cab.



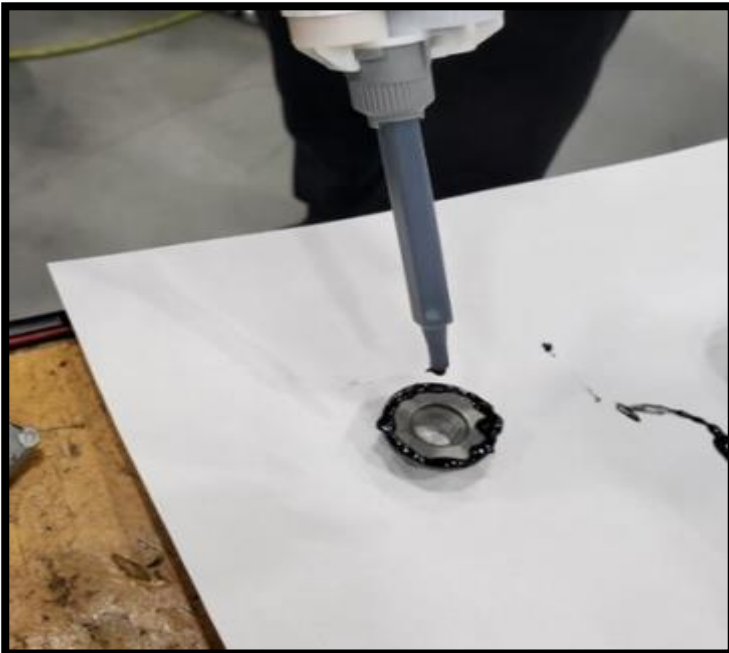
- 11. Once the weld nut is removed, use a small hammer to flatten the metal back out where the nut was secured to the reinforcement.



12. Install the seat belt and a new seat belt anchor bolt (**979624**) into the mounting hole.



13. Place one of the fabricated flange nut/washers (supplied in the kit **24695924**) on the table with the washer facing up (**Only one nut/washer needed per truck**).
14. Apply a thin layer of epoxy around the washer using the supplied epoxy.



15. Install the fabricated flange nut on the seat belt mounting hardware bolt using a socket and extension to hold the nut.



16. Hand-tighten the weld nut on the seat belt anchor bolt.
17. Ensure the seat belt is positioned in the original orientation.
18. Set torque wrench to **68 Nm (50 lb-ft)** and torque the seat belt anchor bolt.

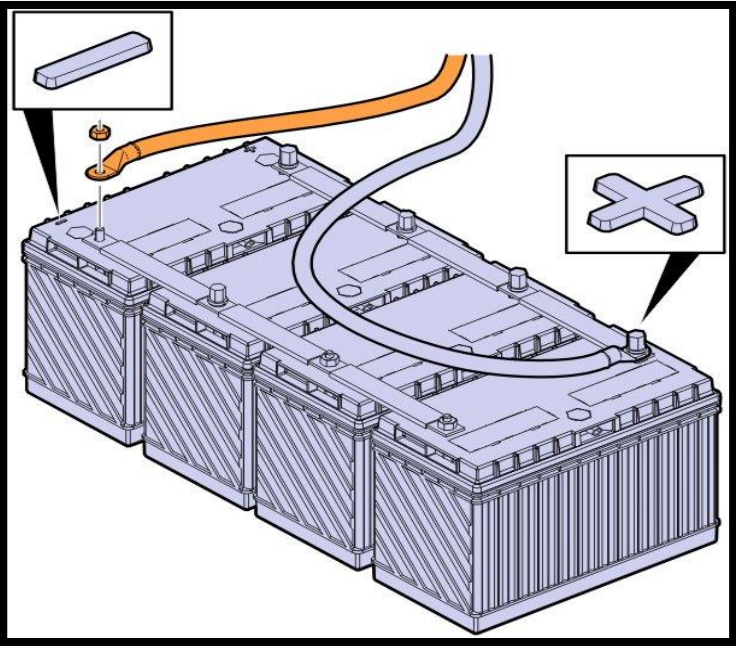
Tightening Torque	
Seat belt anchor, bolt	<b>68 Nm (50 lb-ft)</b>

Important Note!	
When tightening the seat mounting hardware, torque the securing hardware from the bolt head not the fabricated flange nut/washer.	

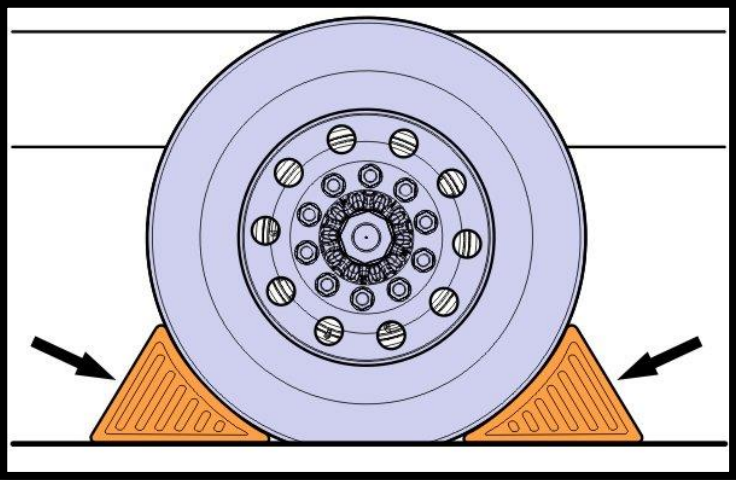
19. Install the passenger seat.
20. Install the four-passenger seat mounting bolts.
21. Torque-tighten the seat mounting bolts to specified torque.

Tightening Torque	
Seat mounting, bolts	<b>48 Nm (35 lb-ft)</b>

- 22. Lower the passenger side seat.
- 23. Connect the cable to the negative terminal.



- 24. Remove the wheel chocks.



- 25. Return vehicle to service.

## REIMBURSEMENT

<b>This repair is covered by an authorized Safety Recall. Reimbursement is obtained through the normal claim handling process.</b>	
	<b>UCHP Reimbursement</b>
<b>Claim Type</b> (used only when uploading from the Dealer Business System)	40
<b>Recall Status</b>	
Vehicle repaired per instructions	1-Modified per instructions
<b>Labor Codes</b>	
1720-16-09-01 Campaign, General (0.1 X 8)	0.8 hrs.
<b>Causal Part</b>	60112752
<b>Authorization Number</b>	C0497

**Note:** Dealers or the designated representatives are required to perform Safety Recall on all subject vehicles at no charge to the vehicle owner regardless of mileage, age of vehicle or ownership (original purchaser or subsequent purchasers). Whenever vehicles that are subject to a Safety Recall are brought to your dealership for service, it is strongly recommended that every effort be made to perform the recall correction before the vehicle is released to the owner.