

Recall Campaign Bulletin



Mercedes-Benz

November 2025

TO: ALL MERCEDES-BENZ CENTERS

CAMPAIGN NO.	2025110002
CAMPAIGN DESC.	25P3091002
NHTSA ID	25V711
SUBJECT	Replace Front Radar Sensor
MODEL(S)	G-Class (465 platform)
MODEL YEAR(S)	2025
CAMPAIGN POPULATION	12

Campaign Technical Instructions

Prior to performing this Campaign:

Check the Vehicle Master Inquiry (VMI) to verify this campaign applies to the specific vehicle.

Always check for other open campaigns and perform them accordingly!

Review the entire campaign bulletin first, and perform the procedures exactly as described.

Order No. P-RC-2025110002

Recall Campaign Bulletin

Recall Campaign Bulletin

Recall Campaign Bulletin

Recall Campaign Bulletin

Recall Campaign Bulletin

Primary Parts Information

Qty.	Part Name	Part Number
1	Front Radar Sensor	A 000 900 64 24

i Small parts such as screws, lock nuts, sealing rings, cable ties, fluids, sealant, etc. are not listed in the parts list. The required small parts are taken into account in the budgeting.

Work Procedure

1. Replace front **Midrange radar (B92/20)**.

i For basic repair information, see AR54.21-P-0701XG.

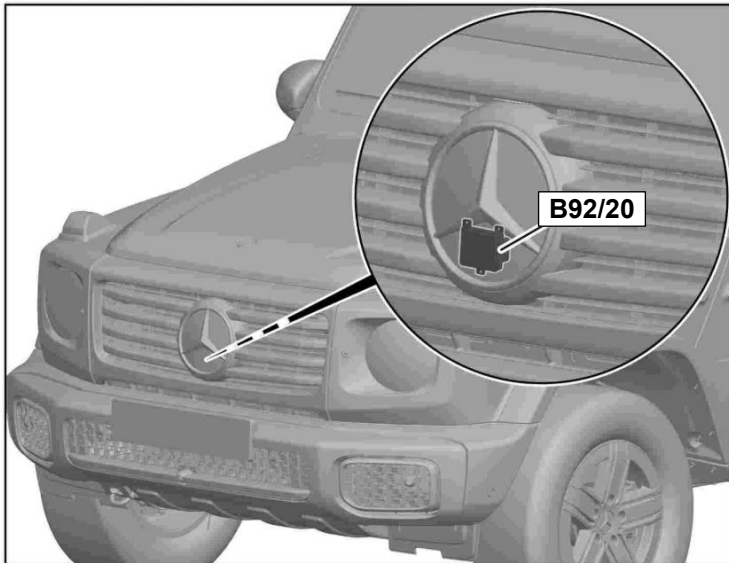
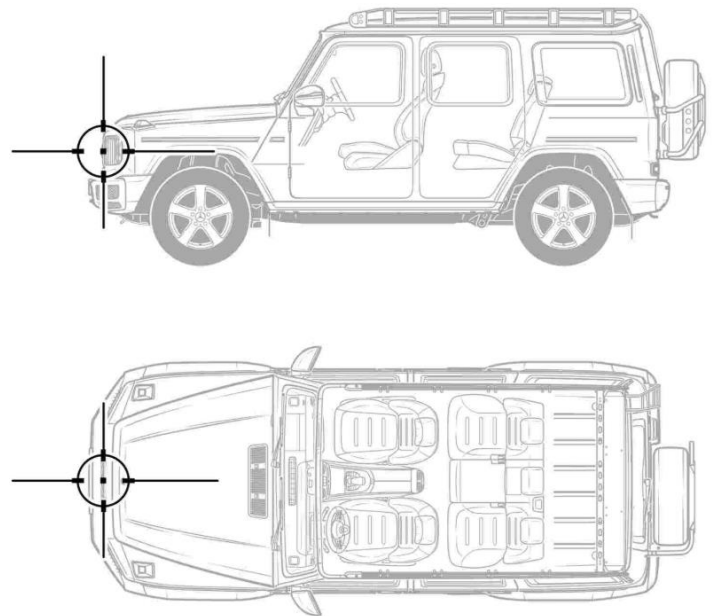


Figure 1



Model(s): 465

Warranty Information

i **Note:** *The following allowable labor operation should be used when submitting a warranty claim for this repair:*

Damage Code	Operation Number	Description	Labor Time (hrs.)
30 910 02	11-0036	Replace front Midrange radar sensor. Includes: Commissioning radar sensor	0.5
	11-0038*	Perform calibration drive	ZM

* Calibration drive **Start / Finish mileage** must be documented in the Repair Order text!

i **Note:** *Always check Xentry Operation Time (XOT) for the current OP-Code times. Labor times are subject to change and updates may not be reflected in this document.*