



Remedy available for
 2022-2024 (WS) Jeep Wagoneer / Grand
 Wagoneer

Template Version 1.0

Revision	Edition	Detail
1	April 2026	Revised Quarter Trim procedures and LOP times.

SYMPTOM DESCRIPTION

The quarter window glass trim on about 123,390 of the above vehicles may not have been properly secured during assembly and can detach from the vehicle. A quarter window trim which detaches may create a road hazard to other vehicles and can cause a crash without prior warning.

SCOPE

This recall applies only to the above vehicles.

NOTE: Some vehicles above may have been identified as not involved in this recall and therefore have been excluded from this recall.

IMPORTANT:

- Some of the involved vehicles may be in dealer new vehicle inventory. Federal law requires you to complete this recall service on these vehicles before retail delivery. Violation of this requirement by a dealer could result in a civil penalty of up to \$27,874 per vehicle.
- Some of the involved vehicles may be in dealer used vehicle inventory. Dealers should complete this recall service on these vehicles before retail delivery.
- Dealers should also perform this recall on vehicles in for service.

Involved vehicles can be determined by using the VIP inquiry process.

REPAIR TO BE PERFORMED

Inspect and, if necessary, replace the quarter window glass assemblies as needed.

ALTERNATE TRANSPORTATION

Dealers should proactively minimize customer inconvenience while the recall repair is being

performed. Reference the Goodwill Alternate Transportation Guidelines warranty bulletin link within Recall Central on DealerCONNECT for options to support the customer while their vehicle is in service.

COMPLETION REPORTING / REIMBURSEMENT

Claims for vehicles that have been serviced must be submitted on the DealerCONNECT Claim Entry Screen located on the Service tab. Claims paid will be used by FCA to record recall service completions and provide dealer payments.

Use the following labor operation numbers and time allowances:

Labor Description	Number	Hrs
Inspect LT and RT Rear Quarter Window Glass Trim	23-88-C1-81	0.2
Inspect LT and RT Rear Quarter Window Glass Trim and Replace One Window	23-88-C1-82	1.0
Inspect LT and RT Rear Quarter Window Glass Trim and Replace Both Windows	23-88-C1-83	1.8

Labor Description	Number	Allowance
Floor Plan Reimbursement	95-95-95-97	Calculate See Below

Floor Plan Reimbursement represents the vehicle's average daily allowance (see table below) multiplied by the number of days the vehicle was in dealer inventory and not available for sale. This reimbursement is limited to the number of days from the date of the stop sale to the date that the remedy was made available. Note: If the vehicle was received by your dealership (KZX date) AFTER the stop sale date, you will use the KZX date instead of the stop sale

SAFETY RECALL
NORTH AMERICA
Quarter Window Trim



Reference: 88C / NHTSA 25V-642

FCA US LLC

date. For this Recall, the stop sale was initiated on **10/02/2025** and the remedy was made available on **02/12/2026**, therefore, the number of days cannot exceed **133** days.

Vehicle	Average Daily Allowance
2022-2024 (WS) Jeep Wagoneer / Grand Wagoneer	████████

Add the cost of the recall parts package plus applicable dealer allowance to your claim.

In addition, enter “MATL” in the Part Number section of your claim with the applicable Material Allowance where appropriate.

NOTE: See the Warranty Administration Manual, Recall Claim Processing Section, for complete recall claim processing instructions.

For Mobile Service Reimbursement, dealer to include standard dealer entry and mark-up for parts, standard dealer entry and labor rate for service, as well as the special services code for mobile allowance. The special services LOP will only be paid once per VIN and may NOT be used in coordination with any Alternate Transportation claims.

For additional details, reference the Mobile Service Warranty Bulletin - for convenience, a copy has been linked within Recall Central on DealerCONNECT.

PARTS INFORMATION

IMPORTANT: Only a few vehicles will require replacement window(s). Perform the inspection procedure prior to ordering any parts.

Part No.	Qty.	Part Name
68346788AH		Quarter Window Glass – Right, Body Code 75, with MMR and GAM
68346791AG		Quarter Window Glass – Left, Body Code 75, with MMR and GAM
68346792AH		Quarter Window Glass - Right, Body Code 75, with MMR and GEG

Part No.	Qty.	Part Name
68346793AF		Quarter Window Glass - Left, Body Code 75, with MMR and GEG
68346804AD		Quarter Window Glass - Right, Body Code 75, with MDR and GAB
68346805AD		Quarter Window Glass - Left, Body Code 75, with MDR and GAB
68466244AB		Quarter Window Glass - Right, Body Code 76, with MMR and GEG
68466245AB		Quarter Window Glass - Left, Body Code 76, with MMR and GEG
68466246AB		Quarter Window Glass - Right, Body Code 76, with MDR and GEG
68466247AB		Quarter Window Glass - Left, Body Code 76, with MDR and GEG
68466248AE		Quarter Window Glass - Right, Body Code 76, with MMR and GAM
68466249AE		Quarter Window Glass - Right, Body Code 76, with MMR and GAM
68466250AE		Quarter Window Glass - Right, Body Code 76, with MDR and GAM
68466251AE		Quarter Window Glass - Right, Body Code 76, with MDR and GAM
68496208AF		Quarter Window Glass - Right, Body Code 75, with MDR and GEG
68496209AD		Quarter Window Glass - Left, Body Code 75, with MDR and GEG
68496298AG		Quarter Window Glass - Right, Body Code 75, with MDR and GAM

Strictly respect STELLANTIS Group safety, cleanliness, and environmental instructions for any vehicle service. Document exclusively reserved for dealer information. Internal distribution to be ensured by dealer. Reproduction forbidden without the written agreement of STELLANTIS Group. (C) 2025 STELLANTIS Group. All Rights Reserved (djt)

Part No.	Qty.	Part Name
68496297AF		Quarter Window Glass - Left, Body Code 75, with MDR and GAM
68563658AB		Quarter Window Glass - Right, Body Code 75, with MMR and GAB
68563659AB		Quarter Window Glass - Left, Body Code 75, with MMR and GAB
68573978AB		Quarter Window Glass - Right, Body Code 76, with MMR and GAB
68573979AB		Quarter Window Glass - Left, Body Code 76, with MMR and GAB
68427360AA		Quarter Window Glass - Right, Body Code 76, with MDR and GAB
68427361AB		Quarter Window Glass - Left, Body Code 76, with MDR and GAB

• Additional tools are available in limited quantities at dealer expense, if required. Utilize the above Mopar Essential Tool Call Center or website to submit a request.

Number	Description
2111300230	Suction Cup Tool

DEALER NOTIFICATION

To view this notification on DealerCONNECT, select “Global Recall System” on the Service tab, then click on the description of this notification.

OWNER NOTIFICATION / SERVICE SCHEDULING

All involved vehicle owners known to FCA are being notified of the service requirement by first class mail. They are requested to schedule appointments for this service with their dealers. A generic copy of the owner letter is attached.

Dealers are encouraged to consider alternative scheduling and servicing approaches for this recall. This repair does not require hoists or other full service facility special equipment and is a Chrysler Mobile Service approved repair.

PARTS RETURN

No parts return required for this campaign.

Render the recalled parts unusable and discard.

SPECIAL TOOLS

Important information regarding Mopar Essential Tools:

2111300230 - Inspection Tool, Recall 88C

• One (1) Mopar Essential Tool “2111300230 Inspection Tool, Recall 88C” was shipped free to every dealer the week of Feb 2, 2026. Please ensure the inspection tool is kept in a secure location to be utilized for the duration of this campaign.

• If there are any questions regarding delivery of the Mopar Essential Tools “2111300230 Inspection Tool, Recall 88C” contact the Mopar Essential Tool Call Center at (1 855-298 2687 / www.moparesentialtools.com).

VEHICLE LISTS, GLOBAL RECALL SYSTEM, VIP AND DEALER FOLLOW UP

All involved vehicles have been entered into the DealerCONNECT Global Recall System (GRS) and Vehicle Information Plus (VIP) for dealer inquiry as needed.

GRS provides involved dealers with an updated VIN list of their incomplete vehicles. The owner’s name, address and phone number are listed if known. Completed vehicles are removed from GRS within several days of repair claim submission.

To use this system, click on the “**Service**” tab and then click on “**Global Recall System.**” Your dealer’s VIN list for each recall displayed can be sorted by: those vehicles that were unsold at recall launch, those with a phone number, city, zip code, or VIN sequence.

Dealers must perform this repair on all unsold vehicles before retail delivery. Dealers should also use the VIN list to follow up with all owners to schedule appointments for this repair.

SAFETY RECALL
NORTH AMERICA
Quarter Window Trim



Reference: 88C / NHTSA 25V-642

FCA US LLC

Recall VIN lists may contain confidential, restricted owner name and address information that was obtained from the Department of Motor Vehicles of various states. Use of this information is permitted for this recall only and is strictly prohibited from all other use.

ADDITIONAL INFORMATION

If you have any questions or need assistance in completing this action, please contact your Service and Parts District Manager.

Customer Services / Field Operations
FCA US LLC.

- WARNING: Do not operate the vehicle within 24 hours of fixed glass installation. It takes at least 24 hours for urethane adhesive to cure. If it is not cured, the windshield may not perform properly in an accident.**
- Urethane adhesives are applied as a system. Use glass cleaner, glass prep solvent, glass primer, PVC (vinyl) primer and pinch weld (fence) primer provided by the adhesive manufacturer. If not, structural integrity could be compromised.
 - FCA US LLC does not recommend glass adhesive by brand. Technicians should review product labels and technical data sheets, and use only adhesives that their manufacturer's warrant will restore a vehicle to the requirements of FMVSS 212. Technicians should also ensure that primers and cleaners are compatible with the particular adhesive used.
 - Be sure to refer to the urethane manufacturer's directions for curing time specifications, and do not use adhesive after its expiration date.
 - Vapors that are emitted from the urethane adhesive or primer could cause personal injury. Use them in a well-ventilated area.
 - Skin contact with urethane adhesive should be avoided. Personal injury may result.
 - Always wear eye and hand protection when working with glass.

CAUTION: Protect all painted and trimmed surfaces from coming in contact with urethane or primers. Be careful not to damage painted surfaces when removing moldings or cutting urethane around the stationary glass.

SERVICE PROCEDURE

A. Inspection

NOTE: Perform this inspection on both quarter windows.

1. Clean the quarter glass trim.
2. Connect the suction cup tool to shop compressed air (Figure 1).



Figure 1 – Trim Testing Tool

3. Apply the suction cup tool to the trim surface at the 5 specified locations (Figure 2). Verify that the suction cup is centered on the flat section of the trim and is perpendicular to the trim (Figure 3).

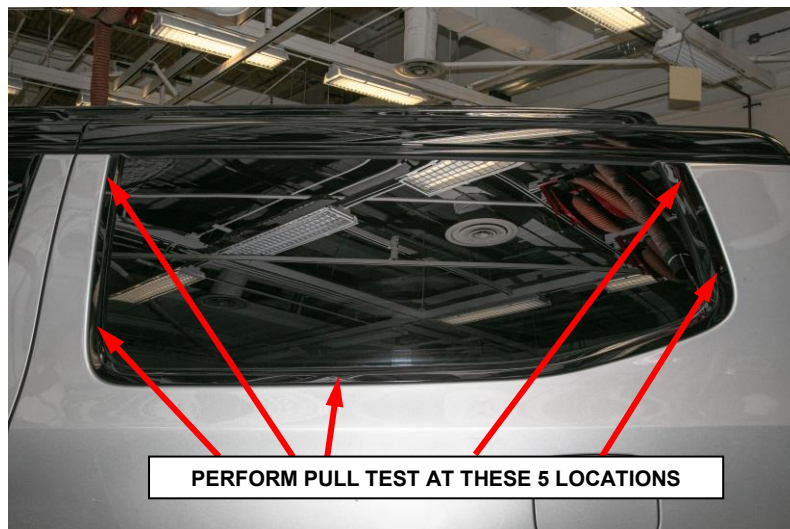


Figure 2 – Trim Test Locations



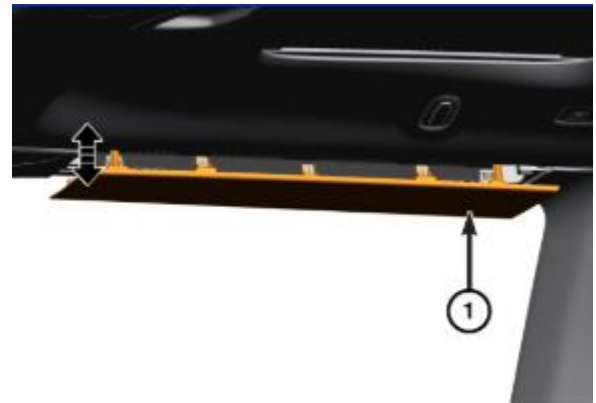
Figure 3 – Tool Centered on Trim

4. Pull straight back on the tool until it releases from the trim. Do not rock or otherwise manipulate the tool. Test each location on the glass (indicated in Figure 2) three times. Did the trim release from the glass, or move more than 5mm?
 - YES: Replace the quarter glass. See B. Glass Removal and C. Glass Installation.
 - NO: The glass has passed inspection. No further action is required.

SERVICE PROCEDURE

B. Glass Removal

1. Using a trim stick or equivalent release the C-pillar to D-pillar bridge trim panel (1) (Figure 4).



2316189072

1 - Bridge Trim Panel

Figure 4 – Bridge Trim Panel

2. Remove the fastener cover (1) and the fastener (2) from the rearward D-pillar trim panel (Figure 5).



2316189075

1 - Fastener Cover

2 - Fastener

3 - Seat Belt Closeout

Figure 5 – Rearward D-Pillar Trim Fasteners

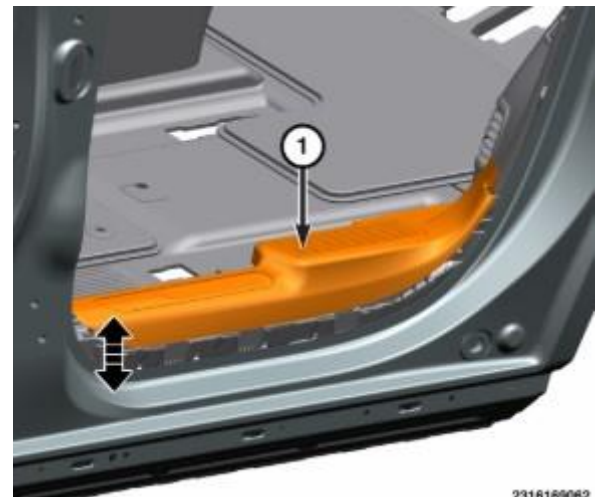
3. Using a trim stick or equivalent, release the retaining clips to separate the rearward D-pillar trim (1) from the forward D-pillar trim panel (Figure 6).



1 - Rearward D-Pillar Trim Panel

Figure 6 – Rearward D-Pillar Trim

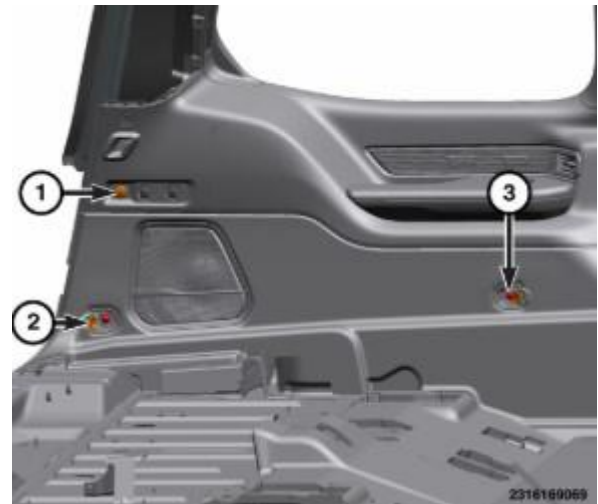
4. Using a trim stick or equivalent, disengage the retaining clips that secure the rear door sill scuff plate (1) to the rear door sill and remove from vehicle (Figure 7).



1 - Rear Door Sill Scuff Panel

Figure 7 – Rear Door Sill Scuff Plate

- 5. Remove the fastener (1) (Figure 8).
- 6. Position the top of the quarter trim panel back from the quarter window.



- 1 - Fastener
- 2 - Cargo Loop Bolt Covers
- 3 - Cargo Loop Bolts

Figure 8 – Cargo Loop

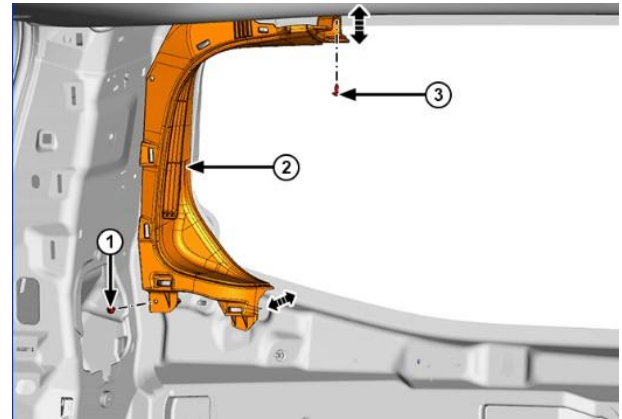
- 7. Remove the fastener cover (1) and remove the fastener (2) from the upper C-pillar trim panel (4) (Figure 9).
- 8. Position the C-pillar trim aside.



- 1 - Fastener Cover
- 2 - Fastener
- 3 - Seat Belt Closeout
- 4 - Upper C-Pillar Trim Panel

Figure 9 – Upper C-Pillar Trim

9. Remove the fasteners (1-3) from the forward D-pillar trim panel (2) (Figure 10).



- 1 - Fastener
2 - Forward D-Pillar Trim Panel
3 - Fastener

Figure 10 – Forward D-Pillar Trim

10. Using a trim stick or equivalent, release the applique (1) from the upper quarter panel (2) (Figure 11).



- 1 - Quarter Panel Applique
2 - Upper Quarter Panel

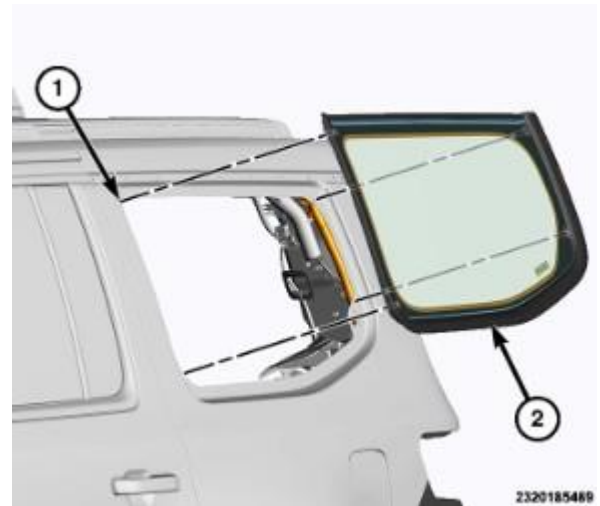
Figure 11 – Quarter Panel Applique

11. Using a glass extraction tool or equivalent, cut and separate the urethane adhesive and the alignment pins that secure the quarter glass to the window fence.

CAUTION: Be careful not to damage painted surfaces when removing moldings or cutting urethane around the stationary glass.

NOTE: Remove the cut alignment pins from the vehicle.

12. Carefully push the quarter window glass from the window opening.



- 1 - Window Opening
2 - Quarter Glass

Figure 12 – Quarter Glass

SERVICE PROCEDURE

C. Glass Installation

1. Prepare the window opening and quarter glass for installation.

WARNING: Do not operate the vehicle within 24 hours of stationary glass installation. It takes at least 24 hours for urethane adhesive to cure. If it is not cured, the stationary glass may not perform properly if the vehicle is in an accident.

CAUTION: To help prevent water leaks, partially roll down the left and right door glass before installing the stationary glass. This avoids pressurizing the passenger compartment if a door is slammed before the urethane is cured.

CAUTION: Protect all painted and trimmed surfaces from coming in contact with urethane or primers.

NOTE: To prevent corrosion, do not damage paint on the quarter glass fence when removing original urethane. Damaged areas will need to be treated again.

NOTE: The quarter glass fence should be cleaned of most of its old urethane adhesive. A small amount of old urethane, approximately 1 mm (0.04 in.) in height should remain on the fence. Do not completely remove all old urethane from the fence, the paint finish and bonding strength will be adversely affected.

2. Using a razor knife, level the original bead of urethane on the fence to a thickness of approximately 1 mm (0.04 in.) (Figure 13).

WARNING: Do not use solvent based glass cleaners to clean the stationary glass before applying glass prep and primer or poor glass adhesion may result.



Figure 13 – Urethane Bead

3. Clean the inside of the quarter glass with an ammonia based glass cleaner and a lint-free cloth.
4. Apply glass prep adhesion promoter 25 mm (1.0 in.) wide around the perimeter of the glass and 5 mm (0.2 in.) from the edge of the glass and allow to air dry.
5. Apply glass primer 25 mm (1.0 in.) wide around the perimeter of the glass and 5 mm (0.2 in.) from the edge of the glass. Allow at least three minutes drying time.
6. Using a flashlight, verify that the primer is completely and evenly installed along the perimeter of the quarter glass.
7. Re-prime any area that is not fully and evenly primed.
8. Clean the quarter glass fence with an ammonia based glass cleaner and a lint-free cloth.

9. Apply pinch weld primer 25 mm (1.0 in.) wide around the quarter glass fence. Allow at least three minutes drying time.
10. Using a flashlight, verify that the primer is completely and evenly installed along the quarter glass fence.
11. Re-prime any area that is not fully and evenly primed.

CAUTION: Always apply the bead of adhesive to the stationary glass. Always install the stationary glass within 5 minutes after applying the adhesive.

NOTE: If the original urethane adhesive has been exposed for more than 12 hours, the entire adhesive area will need to be re-primed prior to installing new adhesive.

12. Apply approximately a 7 mm (0.3 in.) wide and 13 mm (0.5 in.) tall bead of adhesive with a triangular nozzle approximately 6 mm (0.230 in.) from the edge of the glass seal starting at the bottom center of the quarter glass.
13. Run the end of the adhesive bead on the quarter glass parallel to the start of the bead and smooth the ends flush.
14. Place the quarter glass in the window opening and insert mounting studs through the alignment holes in the window fence.
15. Reinstall the trim panels using steps 1- 10 of the **B. Glass Removal** procedure above.



Figure 14 – Window Installation

This notice applies to your vehicle,

[Model Year and Model]

VIN XXXXXXXXXXXXXXXXXXXX

88C/NHTSA 25V-642

LOGO

VEHICLE PICTURE

YOUR SCHEDULING OPTIONS

- 1. RECOMMENDED OPTION**
Call your authorized Chrysler / Jeep® / Dodge / RAM Dealership.
- 2. Call the FCA Recall Assistance Center at 1-800-853-1403.** An agent can confirm part availability and help schedule an appointment.
- 3. Visit recalls.mopar.com, scan the QR code below, or download the Mopar Owner's Companion App.**

QR Code

Get access to recall notifications, locate your nearest dealer, and more through this website or Mopar Owner's Companion App. You will be asked to provide your Vehicle Identification Number (VIN) to protect and verify your identity. The last eight characters of your VIN are provided above.

DEALERSHIP INSTRUCTIONS

Please reference Safety Recall 88C.

IMPORTANT SAFETY RECALL

Quarter Window Trim

Dear [Name],

This notice is sent to you in accordance with the National Traffic and Motor Vehicle Safety Act.

FCA US LLC has decided that a defect, which relates to motor vehicle safety, exists in certain [2022 through 2024 Model Year (WS) Jeep® Wagoneer and Grand Wagoneer] vehicles.

It is extremely important to take steps now to repair your vehicle to ensure the safety of you and your passengers.

WHY DOES MY VEHICLE NEED REPAIRS?

The quarter window glass trim on your vehicle ^[1] may not have been properly secured during assembly and can detach from the vehicle. **A quarter window trim which detaches may create a road hazard to other vehicles and can cause a crash without prior warning.**

HOW DO I RESOLVE THIS IMPORTANT SAFETY ISSUE?

FCA US LLC will repair your vehicle ^[2] free of charge (parts and labor). To do this, your dealer will inspect and, if necessary, replace the quarter window glass assembly. The estimated repair time is 20 minutes to 3 hours. In addition, your dealer will require your vehicle for proper check-in, preparation, and check-out during your visit, which may require more time. Your time is important to us, so we recommend that you schedule a service appointment to minimize your inconvenience. Ask your dealer for alternate transportation options while your vehicle is in service. Please bring this letter with you to your dealership.

**TO SCHEDULE YOUR FREE REPAIR,
CALL YOUR CHRYSLER, JEEP®, DODGE OR RAM DEALER TODAY**

WHAT IF I ALREADY PAID TO HAVE THIS REPAIR COMPLETED?

If you have already experienced this specific condition and have paid to have it repaired, you may visit www.fcarecallreimbursement.com to submit your reimbursement request online. ^[3] Once we receive and verify the required documents, reimbursement will be sent to you within 60 days. If you have had previous repairs performed and/or already received reimbursement, you may still need to have the recall repair performed.

We apologize for any inconvenience, but are sincerely concerned about your safety. Thank you for your attention to this important matter.

Customer Assistance/Field Operations
FCA US LLC



Mr. Mrs. Customer
1234 Main Street
Hometown, MI 48371

[1] If you no longer own this vehicle, please help us update our records. Call the FCA Recall Assistance Center at 1-800-853-1403 to update your information.

[2] If your dealer fails or is unable to remedy this defect without charge and within a reasonable time, you may submit a written complaint to the Administrator, National Highway Traffic Safety Administration, 1200 New Jersey Ave., S.E., Washington, DC 20590, or you can call the toll-free Vehicle Safety Hotline at 1-888-327-4236 (TTY 1-888-275-9171), or go to safercar.gov.

[3] You can also mail in your original receipts and proof of payment to the following address for reimbursement consideration: FCA Customer Assistance, P.O. Box 21-8004, Auburn Hills, MI 48321-8007, Attention: Recall Reimbursement.

Note to lessors receiving this recall notice: Federal regulation requires that you forward this recall notice to the lessee within 10 days.