



DODGE  Remedy available for
 2024 - 2025 (LB) Dodge Charger

Jeep  Remedy available for
 2024 - 2025 (KM) Jeep Wagoneer S

Template Version 1.0

Revision	Edition	Detail
3	September 2025	Parts Information section revised.

SYMPTOM DESCRIPTION

The Electric Drive Module (EDM) on about 75 of the above vehicles may have been built with a mis-installed Park Pawl Return Spring (PPRS), which can allow vehicle rollaway. Vehicle rollaway can cause a vehicle crash without prior warning and/or injury to others outside the vehicle.

The condition described above does not comply with sections 6.2.2 and 6.2.3 of Federal Motor Vehicle Safety Standard (FMVSS) No. 571.114 compliance test procedure for vehicles with transmissions with a "park" position require the vehicle, while on a 10 percent grade, to move no more than 150 mm from the noted vehicle position with the gear selection control in the "park" position once the parking brake and the service brakes are released. Suspect vehicles may move more than 150 mm from the position noted prior to release of the brakes.

SCOPE

NOTE: Some vehicles above may have been identified as not involved in this recall and therefore have been excluded from this recall.

IMPORTANT:

- Some of the involved vehicles may be in dealer new vehicle inventory. Federal law requires you to complete this recall service on these vehicles before retail delivery. Violation of this requirement by a dealer could result in a civil penalty of up to \$27,874 per vehicle.
- Some of the involved vehicles may be in dealer used vehicle inventory. Dealers should complete this recall service on these vehicles before retail delivery.
- Dealers should also perform this recall on vehicles in for service.

Involved vehicles can be determined by using the VIP inquiry process.

REPAIR TO BE PERFORMED

Replace the EDM.

ALTERNATE TRANSPORTATION

Dealers should proactively minimize customer inconvenience while the recall repair is being performed. Reference the Goodwill Alternate Transportation Guidelines warranty bulletin link within Recall Central on DealerCONNECT for options to support the customer while their vehicle is in service.

COMPLETION REPORTING / REIMBURSEMENT

Claims for vehicles that have been serviced must be submitted on the DealerCONNECT Claim Entry Screen located on the Service tab. Claims paid will be used by FCA to record recall service completions and provide dealer payments.

Use the following labor operation numbers and time allowances:

Labor Description	Number	Hrs
Replace Rear EDM (KM) Wagoneer S	08-63-C1-82	6.5
Replace Rear EDM (LB) Charger	08-63-C1-83	6.6

NOTE: See the Warranty Administration Manual, Recall Claim Processing Section, for complete recall claim processing instructions.

For Mobile Service Reimbursement, dealer to include standard dealer entry and mark-up for parts, standard dealer entry and labor rate for service, as well as the special services code for mobile allowance. The special services LOP will only be paid once per VIN and may NOT be used in coordination with any Alternate Transportation claims.

SAFETY RECALL

NORTH AMERICA

Park Pawl Spring



Reference: 63C / NHTSA 25V-574

FCA US LLC

For additional details, reference the Mobile Service Warranty Bulletin - for convenience, a copy has been linked within Recall Central on DealerCONNECT.

PARTS INFORMATION

(LB) Dodge Charger with either:

- Sport Brakes (Sales Code BR2).
- High-Performance Brakes (Sales Code BRU).

Part No.	Qty.	Part Name
05190337AF	1	Electric Motor
06509298AA	2	Nut M22X1.50
06506557AA	2	Nut M14X1.50
06512429AA	4	Bolt M14X2.00X56.00
CSRGW681AA	1	Wiring Clip
68163849AB	AR	ANTIFREEZ

(LB) Dodge Charger with Ultra High-Performance Brakes (Sales Code BRN).

Part No.	Qty.	Part Name
05190337AF	1	Electric Motor
06509298AA	2	Nut M22X1.50
06506557AA	2	Nut M14X1.50
06513800AA	4	Bolt M14X1.50X113.5
CSRGW681AA	1	Wiring Clip
68163849AB	AR	ANTIFREEZ

(KM) Jeep Wagoneer S

Part No.	Qty.	Part Name
05190333AF	1	Electric Motor
06509298AA	2	Nut M22X1.50
06506557AA	2	Nut M14X1.50
06512429AA	4	Bolt M14X2.00X56.00
CSRGW681AA	1	Wiring Clip
68163849AB	AR	ANTIFREEZ

PARTS RETURN

No parts return required for this campaign.

Render the recalled EDM unusable and discard.

SPECIAL TOOLS

Number	Description
NPN	wiTECH MDP
NPN	Laptop Computer
NPN	wiTECH Software
2089800120	Test Adapter
2035100082	Covers, HEV Battery Terminal

DEALER NOTIFICATION

To view this notification on DealerCONNECT, select "Global Recall System" on the Service tab, then click on the description of this notification.

OWNER NOTIFICATION / SERVICE SCHEDULING

All involved vehicle owners known to FCA are being notified of the service requirement by first class mail. They are requested to schedule appointments for this service with their dealers.

VEHICLE LISTS, GLOBAL RECALL SYSTEM, VIP AND DEALER FOLLOW UP

All involved vehicles have been entered into the DealerCONNECT Global Recall System (GRS) and Vehicle Information Plus (VIP) for dealer inquiry as needed.

GRS provides involved dealers with an updated VIN list of their incomplete vehicles. The owner's name, address and phone number are listed if known. Completed vehicles are removed from GRS within several days of repair claim submission.

To use this system, click on the "Service" tab and then click on "Global Recall System." Your dealer's VIN list for each recall displayed can be sorted by: those vehicles that were unsold at recall launch, those with a phone number, city, zip code, or VIN sequence.

Dealers must perform this repair on all unsold vehicles before retail delivery. Dealers should also use the VIN list to follow up with all owners to schedule appointments for this repair.

Recall VIN lists may contain confidential, restricted owner name and address information that was obtained from the Department of Motor Vehicles of various states. Use of this information is permitted for this recall only and is strictly prohibited from all other use.

ADDITIONAL INFORMATION

If you have any questions or need assistance in completing this action, please contact your Service and Parts District Manager.

Customer Services / Field Operations
FCA US LLC.

SERVICE PROCEDURE

WARNING: This recall population contains BEV vehicles. Follow all safety precautions published in Service Library for the specific vehicle you are working on.

1. Place the vehicle on a suitable lift. Refer to the detailed service procedures available in DealerCONNECT/ Service Library under: Service Info> **04 - Vehicle Quick Reference / Hoisting / Standard Procedure.**
2. The Electric Park Brake (EPB) system, actuator must be retracted before servicing the rear brakes. Access the Brake Service menu in UConnect Settings. When the setting is selected, a pop-up will display “Yes” and “No” options.

Brake Service has requirements that must be met for EPB system to be deactivated:

- The vehicle must be at a standstill.
- The parking brake must be unapplied.
- The transmission must be in PARK or NEUTRAL.

NOTE: While in Brake Service, the EPB Warning Light will flash continuously while the ignition switch is ON.

3. High voltage power down. Refer to the detailed service procedures available in DealerCONNECT/ Service Library under: Service Info> **12 - Electrified Powertrain System / High Voltage Battery / Standard Procedure.**
4. Partly raise the vehicle to access the rear wheel area.
5. Remove the lug nuts and remove both right side and left side rear tire and wheel assemblies (Figure 1).



(KM) Wagoneer S



(LB) Charger

Figure 1 – Tire And Wheel

1 - Lug Nuts

6. Remove both right side and left side rear wheelhouse splash shields. Refer to the detailed service procedures available in DealerCONNECT/ Service Library under: Service Info> 23 – Body / Exterior / Shield / Rear Wheelhouse Splash Shield (Figures 2, 3, 4).

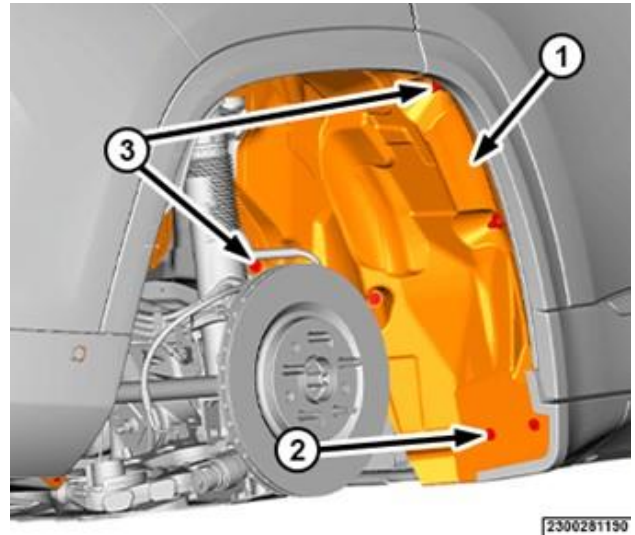
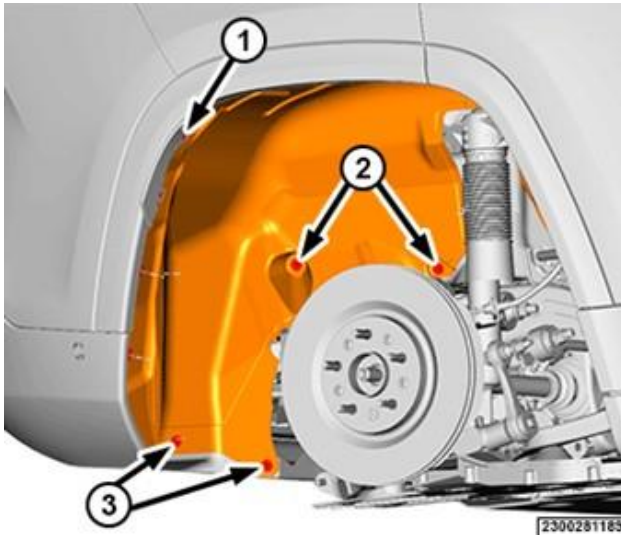


Figure 2 – (KM) Wagoneer – Rear Wheelhouse Splash Shields

- 1 - Outer Fastener
- 2 - Inner Fasteners
- 3 - Sill Panel Fasteners

- 1 - Splash Shield
- 2 - Sill Panel Fastener
- 3 - Shield Fasteners

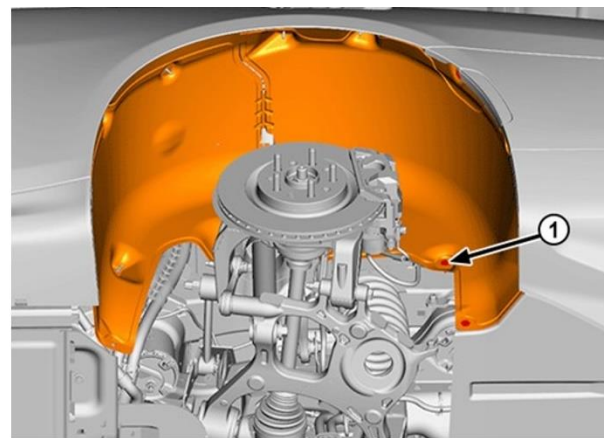


Figure 3 – (LB) Charger - Rear Wheelhouse Splash Shields

- 1 – Pushpin Fasteners

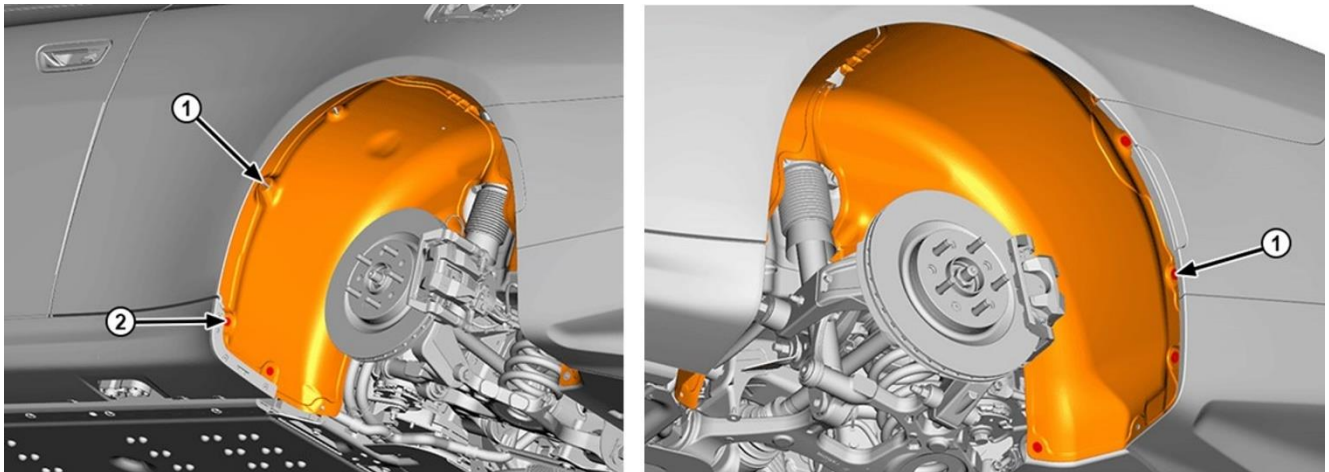


Figure 4 – (LB) Charger - Rear Wheelhouse Splash Shields

1 – Pushpin Fasteners

7. **Both right side and left side rear axles:** Apply the brake then remove and **DISCARD** the axle nut (Figure 5).

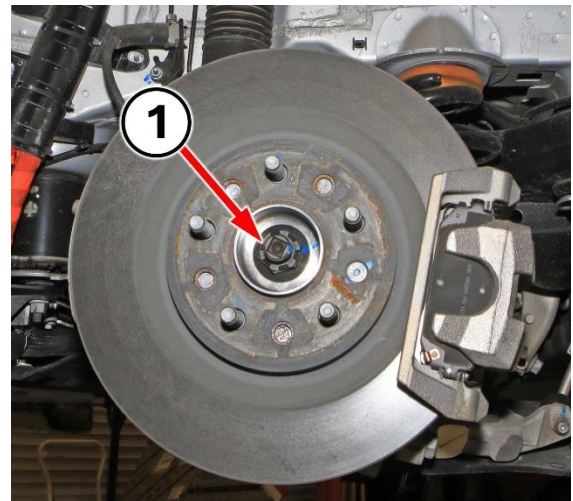


Figure 5 – Axle Nut

1 - Axle Nut

SAFETY RECALL

NORTH AMERICA

Park Pawl Spring



Reference: 63C / NHTSA 25V-574

FCA US LLC

8. **(KM) Wagoneer S:** Both right side and left side rear brakes: Remove the three screws securing the brake hose and wire harness brackets (Figure 6).
9. **(KM) Wagoneer S:** Both right side and left side rear brakes: Disconnect the park brake electrical connector from park brake actuator (Figure 6).
10. **(KM) Wagoneer S:** Both right side and left side rear brakes: Release the two push pin retainers securing the wheel speed sensor wire (Figure 6).
11. **(KM) Wagoneer S:** Both right side and left side rear brakes: Remove the screw securing the wheel speed sensor then release the wheel speed sensor from the knuckle (Figure 6).

NOTE: The wheel speed sensor wire and park brake electrical harness will remain attached to the cradle throughout the procedure. No need to detach the harness from the cradle.

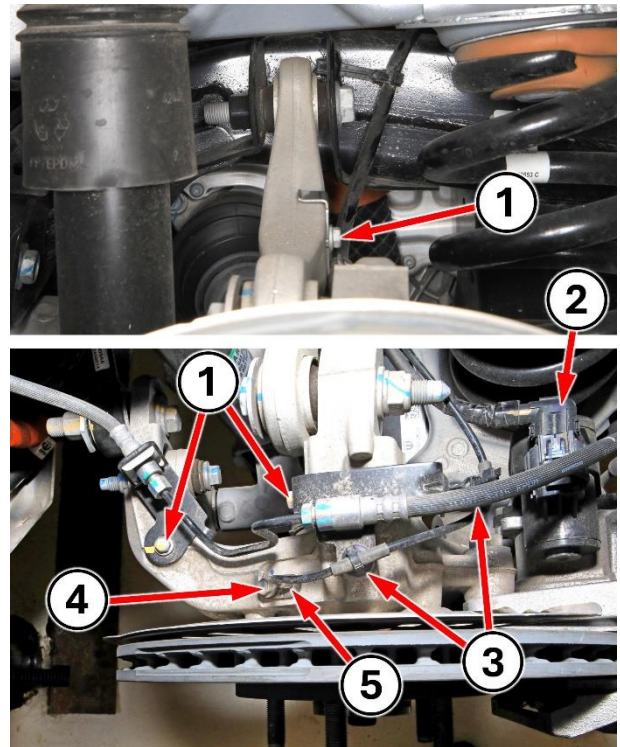


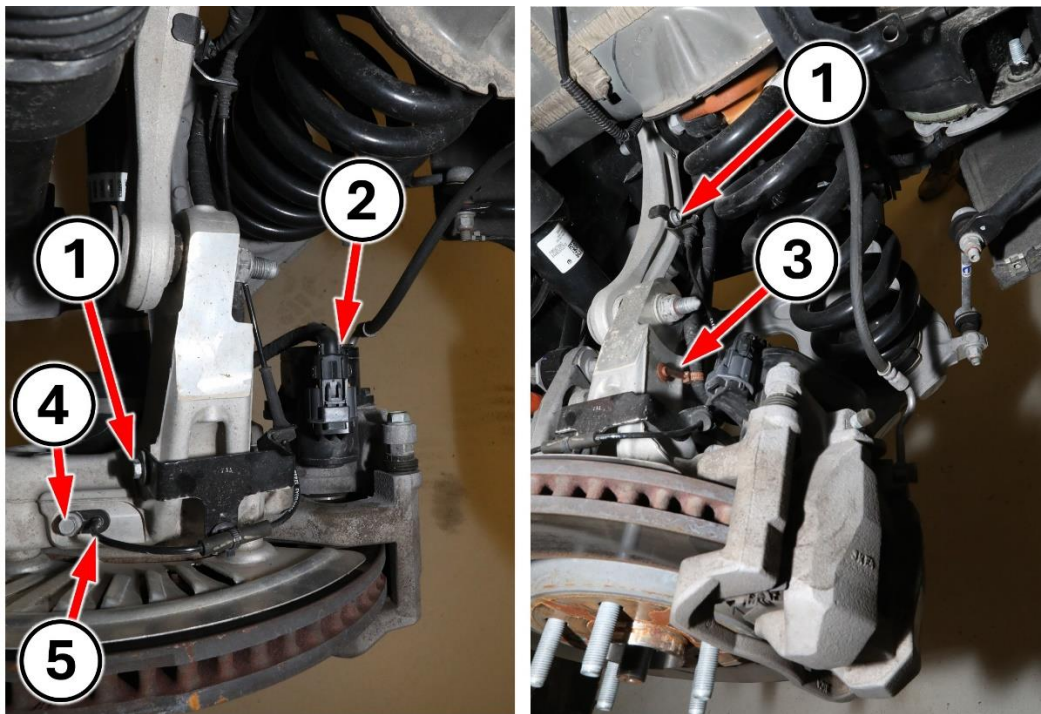
Figure 6 – Wheel Speed Sensor and Park Brake Electrical Connection (KM) Wagoneer S

- 1 – Bracket Screws
- 2 – Park Brake Electrical Connector
- 3 – Push Pin Retainers
- 4 – Wheel Speed Sensor Screw
- 5 – Wheel Speed Sensor

NOTE: If the vehicle is equipped with premium high performance brake calipers (Sales Code BRN), the same procedure applies, however the brake caliper hose and wheel speed sensor wire routing may look different. Refer to the detailed service procedures available in DealerCONNECT/ Service Library under: Service Info> 05 – Brakes / Brake Assembly / Rear Premium.

12. **(LB) Charger:** Both right side and left side rear brakes: Remove the two screws securing the wheel speed sensor wire harness brackets (Figure 7).
13. **(LB) Charger:** Both right side and left side rear brakes: Disconnect the park brake electrical connector from the park brake actuator (Figure 7).
14. **(LB) Charger:** Both right side and left side rear brakes: Release the push pin retainers securing the wheel speed sensor wire (Figure 7).
15. **(LB) Charger:** Both right side and left side rear brakes: Remove the screw securing the wheel speed sensor then release the wheel speed sensor from the knuckle (Figure 7).

NOTE: The wheel speed sensor wire and park brake electrical harness will remain attached to the cradle throughout the procedure. No need to detach the harness from the cradle.



**Figure 7 – Wheel Speed Sensor and Park Brake Electrical Connection
(LB) Charger**

- 1 – Bracket Screws
- 2 – Park Brake Electrical Connector
- 3 – Push Pin Retainers
- 4 – Wheel Speed Sensor Screw
- 5 – Wheel Speed Sensor

SAFETY RECALL

NORTH AMERICA

Park Pawl Spring



Reference: 63C / NHTSA 25V-574

FCA US LLC

16. **Both right side and left side:** Remove the rear brake caliper adapter bolts then remove the brake caliper assembly with adapter bracket from the rotor and knuckle (Figure 8).

NOTE: If the vehicle is equipped with premium high performance brake calipers (Sales Code BRN), the same procedure applies, however the brake caliper design will look different. Refer to the detailed service procedures available in DealerCONNECT/Service Library under: Service Info> 05 – Brakes / Brake Assembly / Rear Premium.

CAUTION: Do not twist the brake hose or let the weight of the brake caliper assembly hang from the brake hose which may result in damage to the brake hose.

17. **Both right side and left side:** Support the rear brake caliper assembly by suspending it from the vehicle. Do not suspend the brake caliper assembly from the cradle or springs which will later be removed from the vehicle (Figure 9).

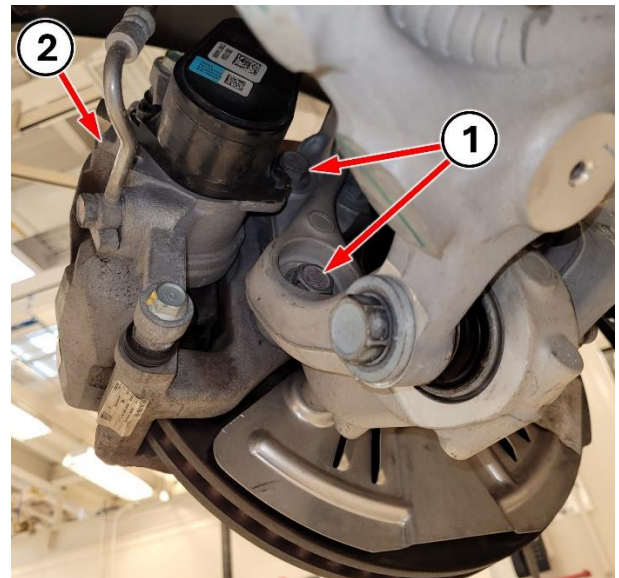
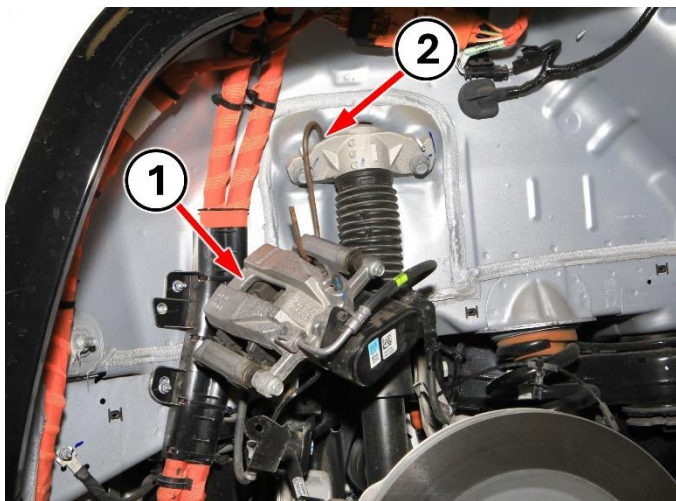


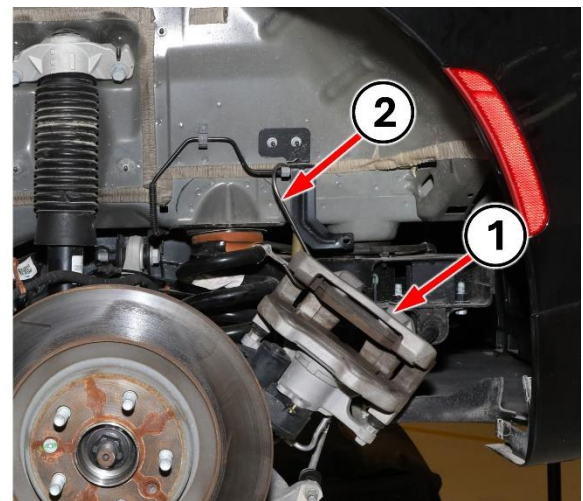
Figure 8 – Rear Brake Caliper

1 – Brake Caliper Adapter Bolts

2 - Brake Caliper



(KM) Wagoneer S



(LB) Charger

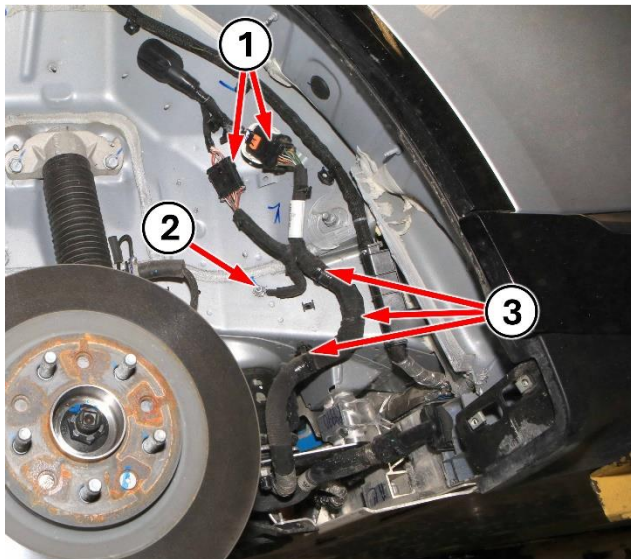
Figure 9 – Support Rear Brake Caliper

1 - Brake Caliper

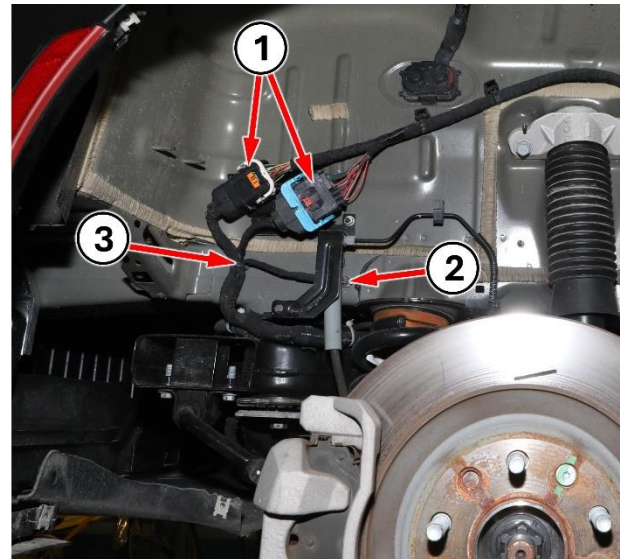
2 - Brake Caliper Support

18. **Right side wheelhouse:** Disconnect the chassis wire harness to cradle connectors (Figure 10).
19. **Right side wheelhouse:** Remove the ground wire nut and wire from the wheelhouse ground stud (Figure 10).
20. **Right side wheelhouse:** Release the retainers securing the cradle wire harness to the vehicle body (Figure 10).

NOTE: The wire harness will remain attached to the cradle throughout the procedure. No need to detach the harness from the cradle.



(KM) Wagoneer S



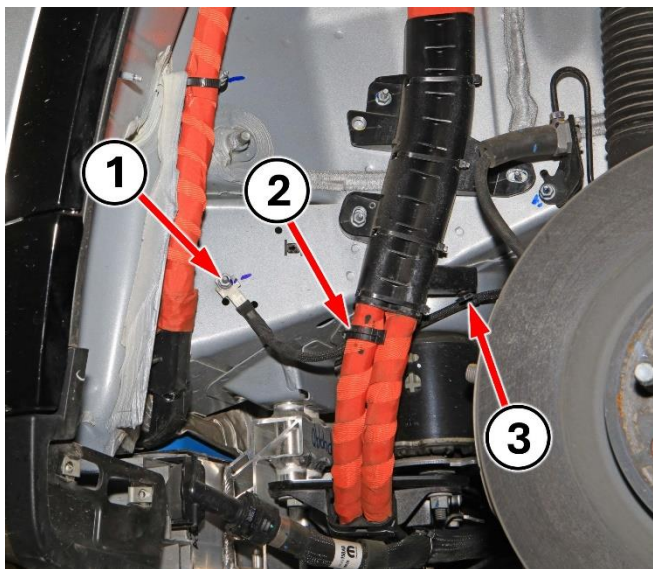
(LB) Charger

Figure 10 – Right Side Rear Wheelhouse

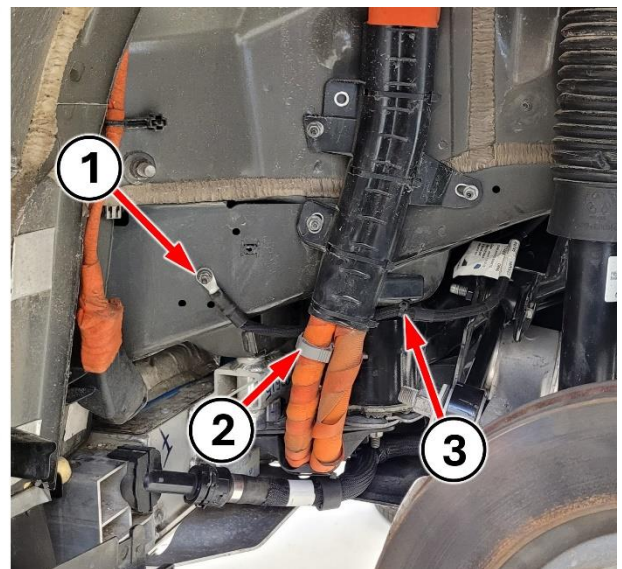
- 1 – Chassis Harness Connectors
- 2 – Ground Wire Connection
- 3 – Wire Harness Retainers

21. **Left side wheelhouse:** Remove the ground wire nut and wire from the wheelhouse ground stud (Figure 11).
22. **Left side wheelhouse:** Release the wire harness retainer securing the ground wire to the high voltage electrical cable (Figure 11).
23. **Left side wheelhouse:** Release the wire harness retainer securing the ground wire to the high voltage electrical cable bracket (Figure 11).

NOTE: The ground wire will remain attached to the cradle throughout the procedure. No need to detach the ground wire from the cradle.



(KM) Wagoneer S



(LB) Charger

Figure 11 – Left Side Rear Wheelhouse

- 1 - Ground Wire Connection
- 2 - Cable Clamp Retainer
- 3 - Push Pin Retainer

- 24. Raise the vehicle up to work underneath.
- 25. Remove the screws from the battery belly pan (Figure 12).
- 26. Disengage the push pin retaining the battery belly pan (Figure 12).
- 27. Remove the rear battery belly pan from the vehicle (Figure 12).

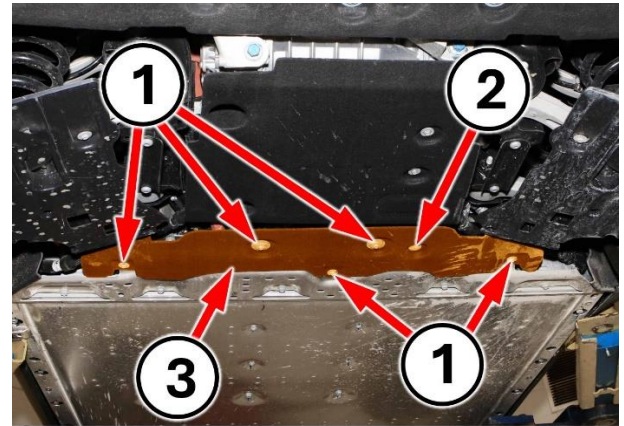


Figure 12 – Battery Belly Pan

- 1 - Belly Pan Screws
- 2 - Push Pin
- 3 - Battery Belly Pan

- 28. Remove the belly pan screws (Figure 13).
- 29. Remove the belly pan bolt (Figure 13).
- 30. Remove the rear EDM belly pan (Figure 13).

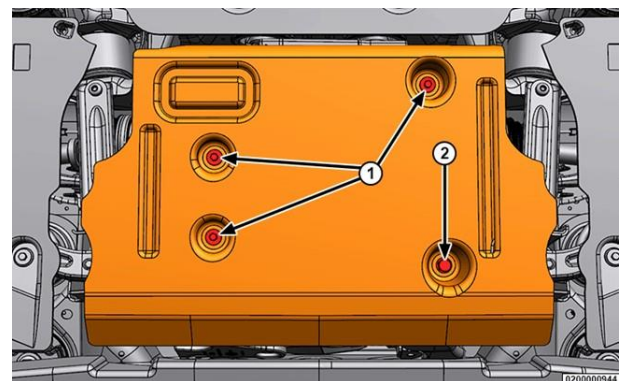


Figure 13 – Rear EDM Belly Pan

- 1 - Belly Pan Screws
- 2 - Belly Pan Bolt

- 31. Remove the belly pan bolts (3) (Figure 14).
- 32. Remove the belly pan screws (2) (Figure 14).
- 33. Remove the fastener (1) (Figure 14).
- 34. Remove the rear bell pan (Figure 14).

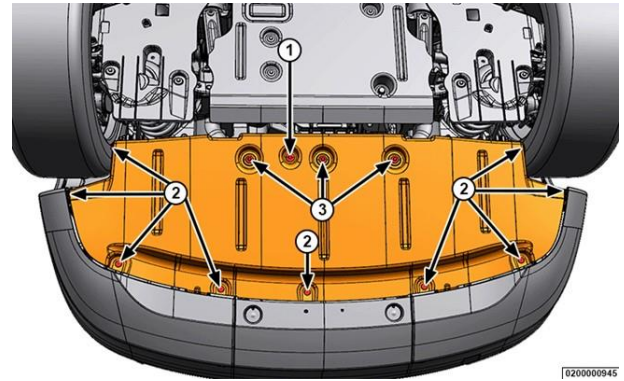


Figure 14 – Rear Belly Pan

- 1 - Fastener
- 2 - Belly Pan Screws
- 3 - Belly Pan Bolts

- 35. Remove the bolts securing the coolant hoses to the rear cradle bracket (Figure 15).

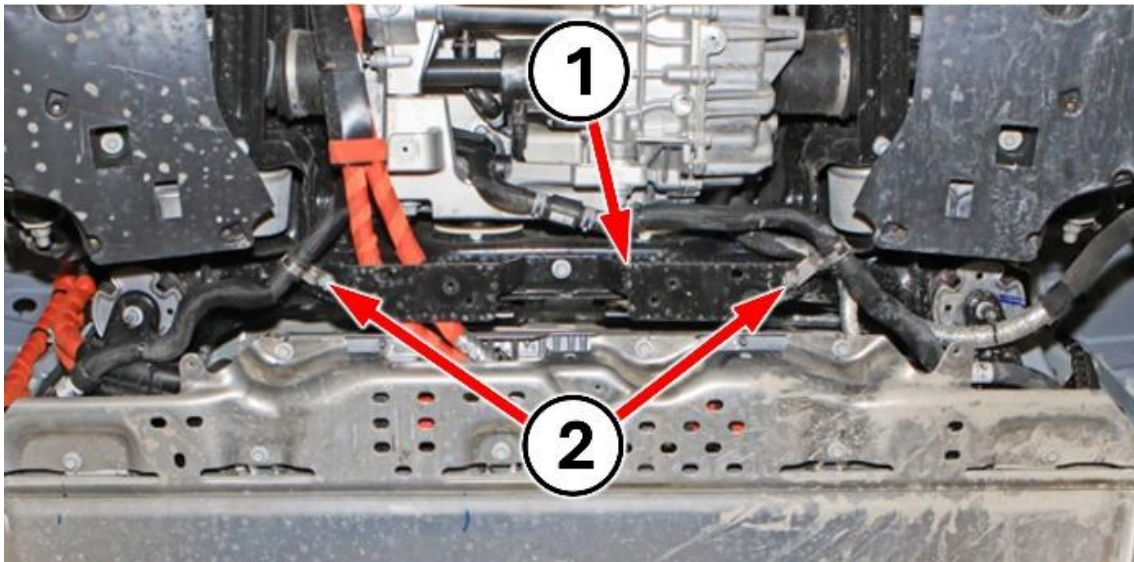


Figure 15 – Coolant Hoses

- 1 – Rear Cradle Bracket
- 2 – Coolant Hose Bolts

36. Remove the three bolts securing the rear cradle bracket then remove the rear cradle bracket (Figure 16).

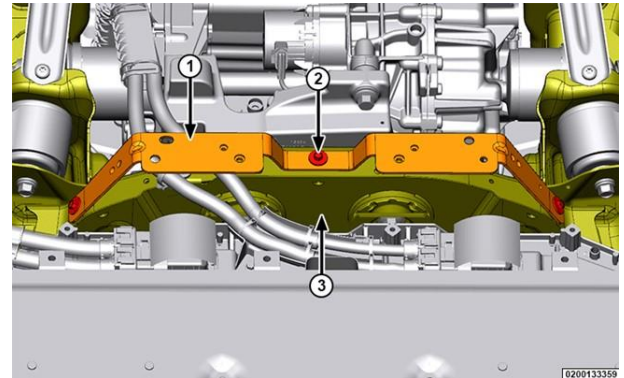


Figure 16 – Rear Cradle Bracket

- 1 - Rear Cradle Bracket
- 2 - Bolts
- 3 - Rear Cradle

37. Remove the five bolts from the forward edge of the battery shield and loosen the three bolts along the rear edge of the battery shield (Figure 17).

NOTE: The three bolt locations along the rear edge of the battery shield are slotted so no need to fully remove the rear three bolts.

38. Remove the rear battery shield from the vehicle (Figure 17).

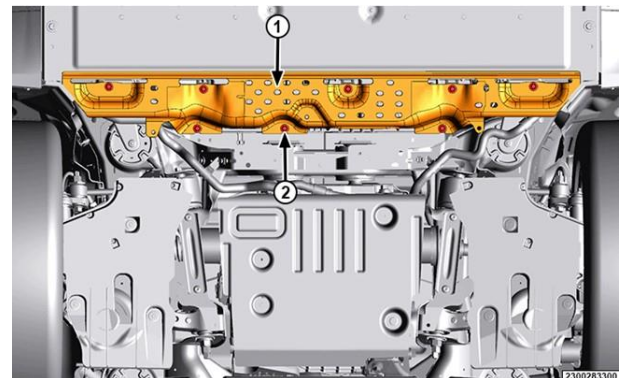


Figure 17 – Rear Battery Shield

- 1 - Rear Battery Shield to Body Bolts
- 2 - Battery Shield to Body Bolts

CAUTION: Do not allow coolant to come in contact with any high voltage component electrical connections. Engine coolant will create a conductive path and cannot be effectively removed resulting in a loss of isolation and replacement of the contaminated high voltage component.

39. Release the coolant hose push pin retainers (Figure 18).
40. Place a drain pan under the coolant hoses (Figure 18).
41. Disconnect the coolant hose connectors (Figure 18).
42. Drain the coolant (Figure 18).

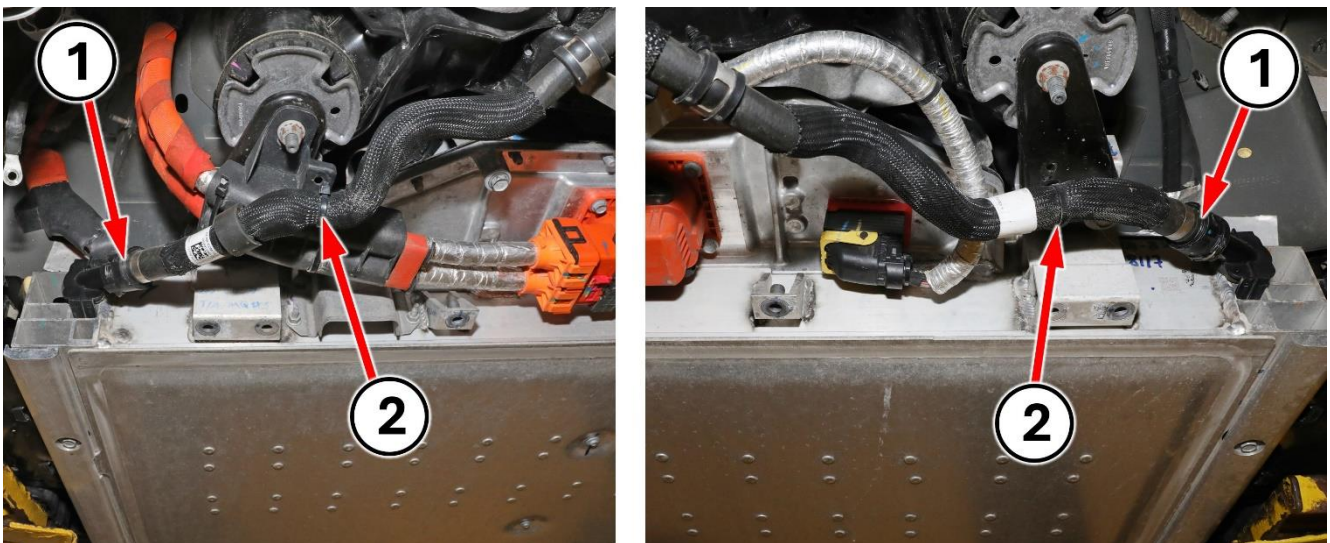


Figure 18 – High Voltage Battery Rear EDM Coolant Hose Connections

- 1 - Coolant Hose Connections
- 2 - Coolant Hose Push Pin Retainers

43. Remove the cradle mount bracket nut (1) (Figure 19).
44. Remove the cradle mount bracket bolts (2) (Figure 19).
45. Remove the wire harness retainer bolts (3) (Figure 19).
46. Release the wire harness retainer push pins (4) (Figure 19).
47. Disconnect the wire harness electrical connectors (5) (Figure 19).
48. Lower the cradle mount bracket along with the left electrical harness (Figure 19).

NOTE: The left side cradle mount bracket will be retained by a pushpin to the wire harness. The cradle mount bracket may remain on the harness throughout the procedure. No need to detach the cradle mount bracket from the wire harness.

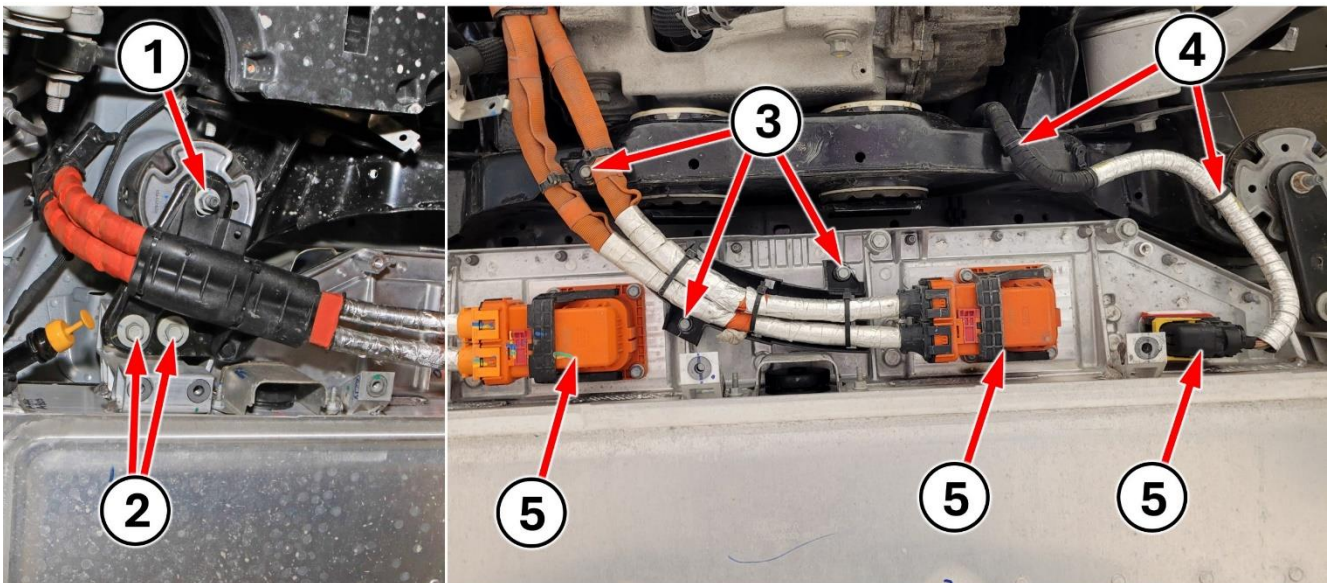


Figure 19 – High Voltage Battery Rear Electrical Connections

- 1 - Cradle Mount Bracket Nut
- 2 - Cradle Mount Bracket Bolts
- 3 - Wire Harness Retainer Bolts
- 4 - Wire Harness Push Pin Retainers
- 5 - Wire Harness Connectors

49. Right side of vehicle: Remove the cradle bracket nut (1) (Figure 20).

50. Remove the cradle mount bracket bolts (3) and remove the brackets (Figure 20).

NOTE: Right side shown, left side similar.

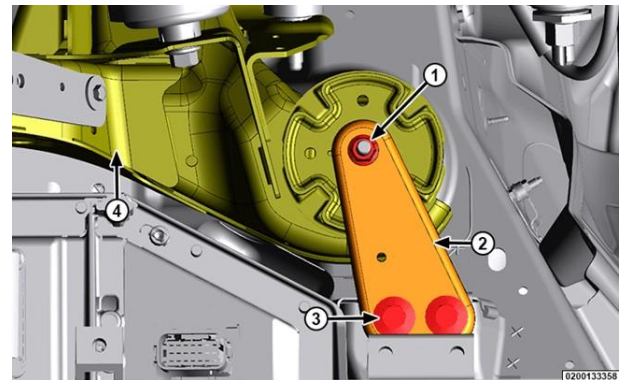


Figure 20 – Cradle Mount Bracket

- 1 - Nut
- 2 - Cradle Mount Bracket
- 3 - Bolts
- 4 - Rear Cradle

51. Both right side and left side: Remove the bolt securing the shock absorber lower ends to the lower control arms (Figure 21).

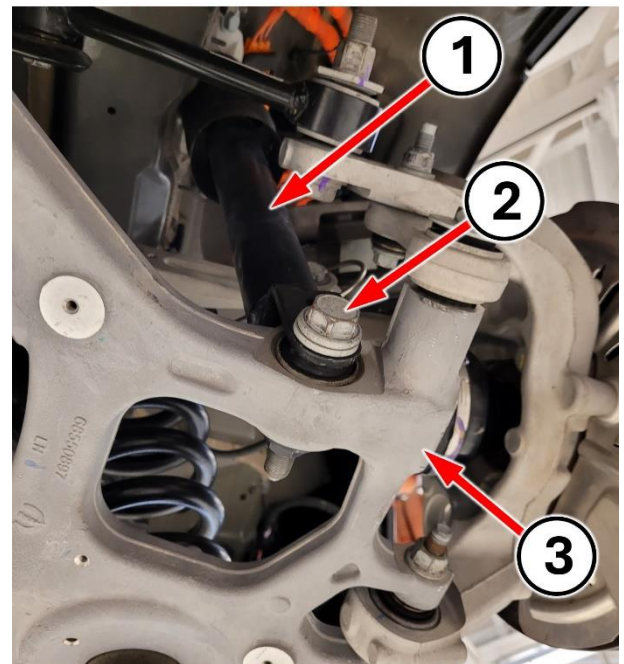


Figure 21 – Rear Shock Absorber

- 1 – Shock Absorber
- 2 - Bolt
- 3 – Lower Control Arm

52. Position support jack stands under the front of the vehicle (Figure 22).

WARNING: When the rear cradle is removed from the vehicle, the vehicle will become **FRONT HEAVY** and could possibly tip off the hoist if not supported in front.

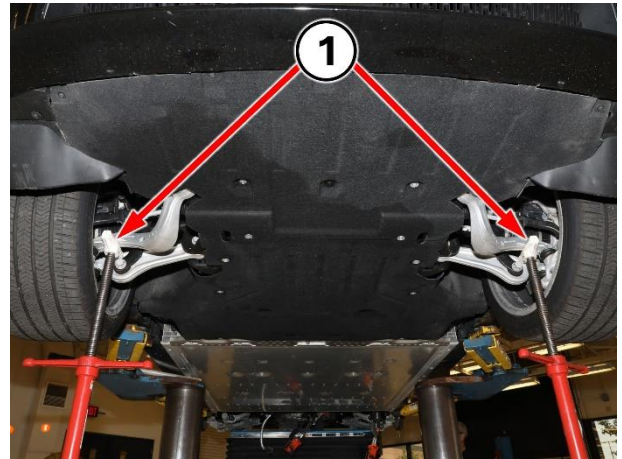


Figure 22 – Support Vehicle Front

1 – Support Stands

53. Position a lifting table under the rear EDM (Figure 23).

54. Arrange support blocks directly under the rear EDM (Figure 23).

NOTE: Place the support **ONLY** under the EDM because later in the procedure the cradle will be removed from the EDM.

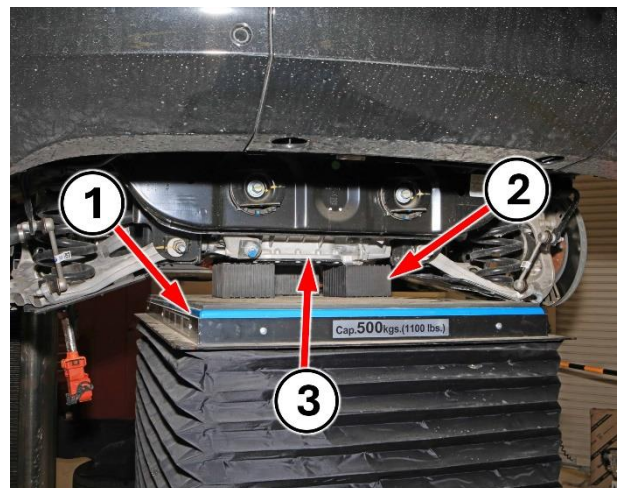


Figure 23 – Support Rear EDM

1 – Lifting Table

2 – Support Blocks

3 – Rear EDM

- 55. Use a paint pen to mark the location of the cradle to the vehicle body for alignment reference during reassembly.
- 56. On each side of the vehicle, remove the cradle bolts (Figure 24).
- 57. On each side of the vehicle, remove the cradle studs (Figure 24).
- 58. Carefully lower the cradle with the EDM.

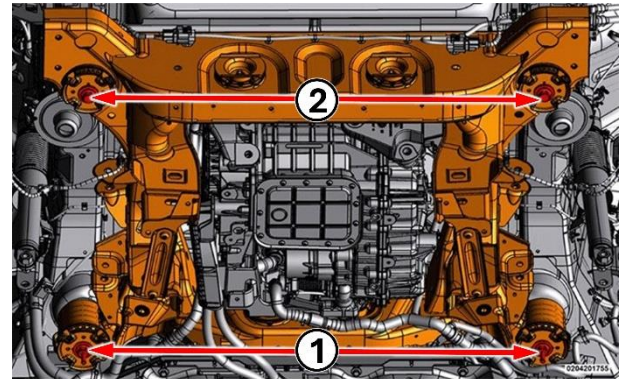


Figure 24 – Rear Cradle

- 1 - Studs
- 2 - Bolts

- 59. Both right and left sides of the cradle, remove the coil springs (Figure 25).

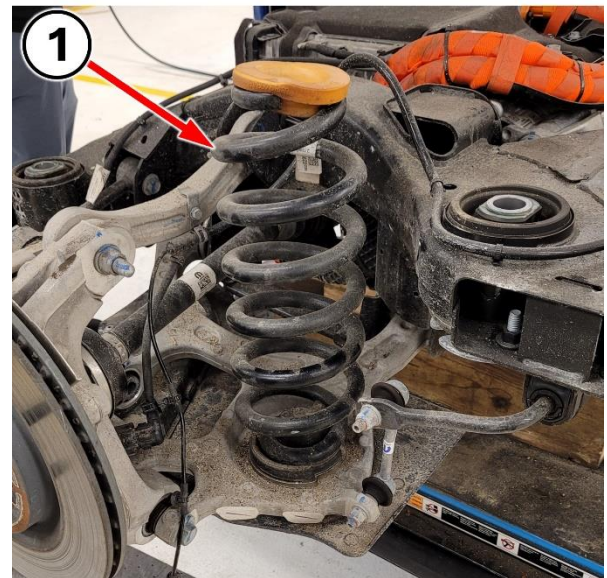


Figure 25 – Rear Coil Springs

- 1 – Coil Spring

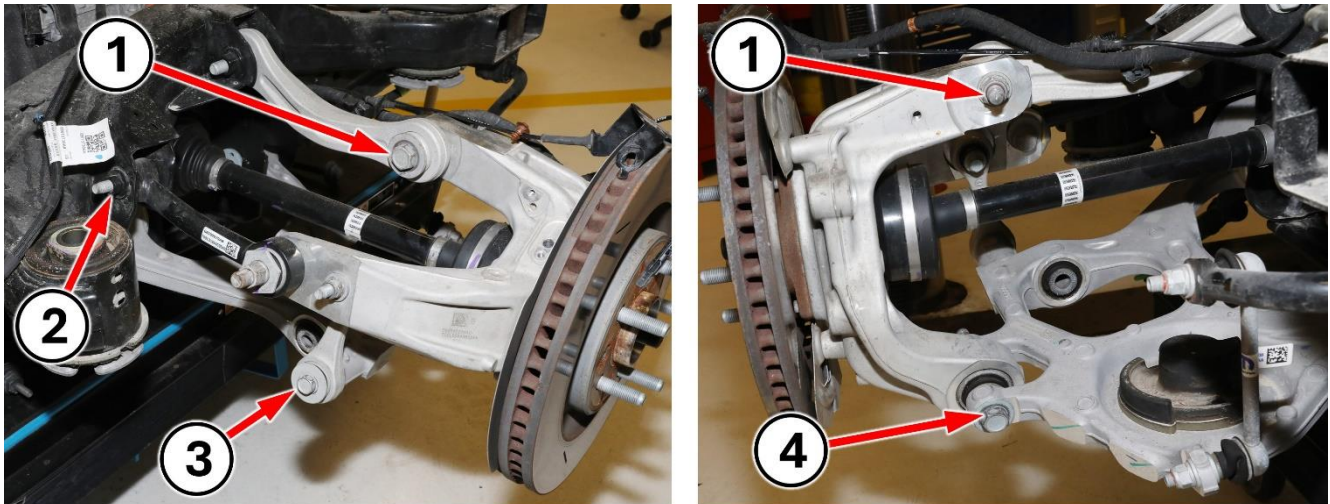


Figure 26 – Suspension Fasteners

- 1 - Bolt and Nut Upper Control Arm to Knuckle
 - 2 - Bolt Toe Link to Cradle
 - 3 - Bolt Lower Link
 - 4 - Bolt Lower Control Arm to Knuckle
-
- 60. **Both right and left sides:** Loosen but do not remove the Lower Control Arm to Knuckle bolt (Figure 26).
 - 61. **Both right and left sides:** Remove the lower link bolt (Figure 26).
 - 62. **Both right and left sides:** Remove the toe link to cradle bolt (Figure 26).
 - 63. **Both right and left sides:** Remove the upper control arm to knuckle bolt and **DISCARD** the nut (Figure 26).
 - 64. **Both right and left sides:** Release the outer halfshaft joint from the hub then lower the knuckle (Figure 27).

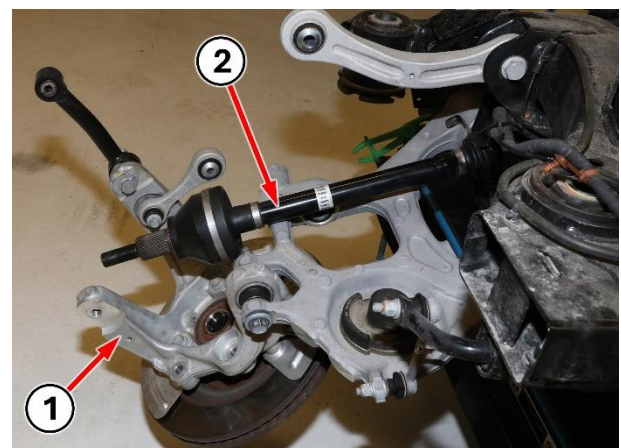


Figure 27 – Halfshaft and Knuckle

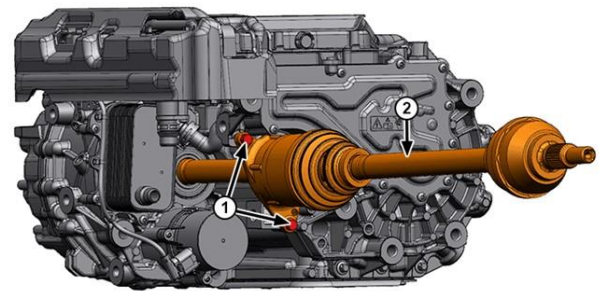
- 1 – Knuckle
- 2 – Halfshaft

NOTE: Care must be taken not to separate the inner Constant Velocity (CV) joint during this operation. Do not allow halfshaft to hang by inner CV joint after removing outer CV Joint from the hub/bearing assembly in steering knuckle, end of halfshaft must be supported.

- 65. **Left side of EDM:** Remove the carrier bearing plate bracket bolts (Figure 28).

NOTE: The bearing plate will need to be rotated slightly to clear the wire harness during half shaft removal.

- 66. **Left side of EDM:** Remove the half shaft from EDM (Figure 28).

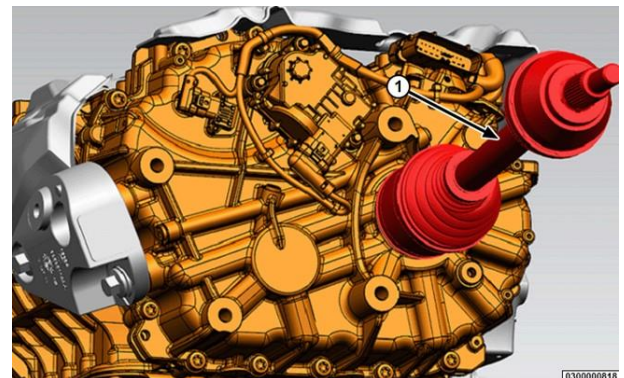


0300005561

Figure 28 – Left Side Halfshaft

- 1 - Bolts
- 2 - Halfshaft

- 67. **Right side of EDM:** Remove the half shaft from EDM (Figure 29).



0300000816

Figure 29 – Right Side Halfshaft

- 1 - Bolt
- 2 - Halfshaft

68. **Right side of EDM:** Disconnect the wire harness connector from the EDM (Figure 30).

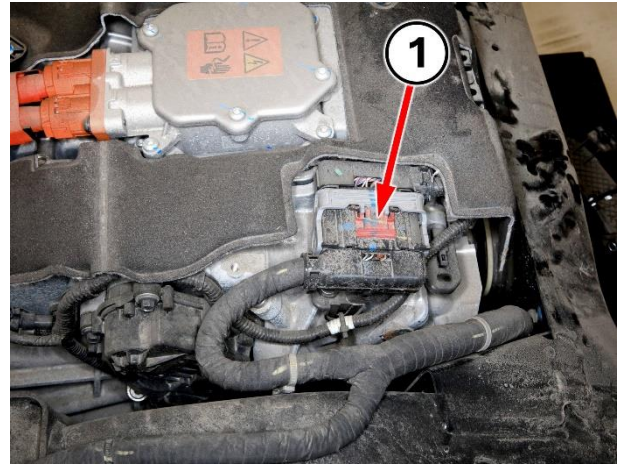


Figure 30 – EDM Harness Connector

1 - Wire Harness Connector

69. **Left side of EDM:** Remove the fastener and wire harness retainer securing the ground wire to the EDM (Figure 31).

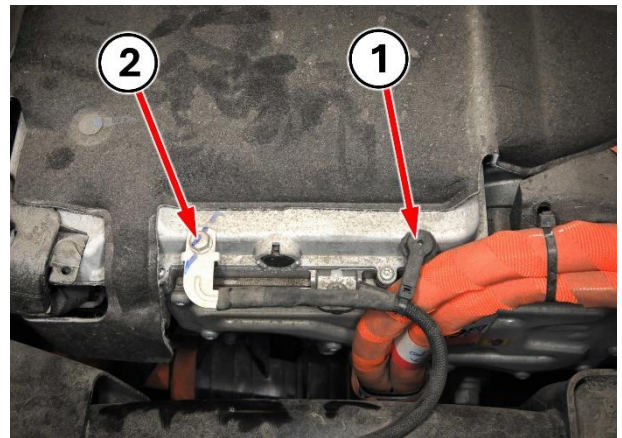


Figure 31 – EDM Ground Wire

1 – Ground Wire Fastener

2 – Ground Wire Retainer

70. Support the cradle with a crane or hoist so it can be lifted off the EDM after the cradle to EDM mounting bolts are removed (Figure 32).

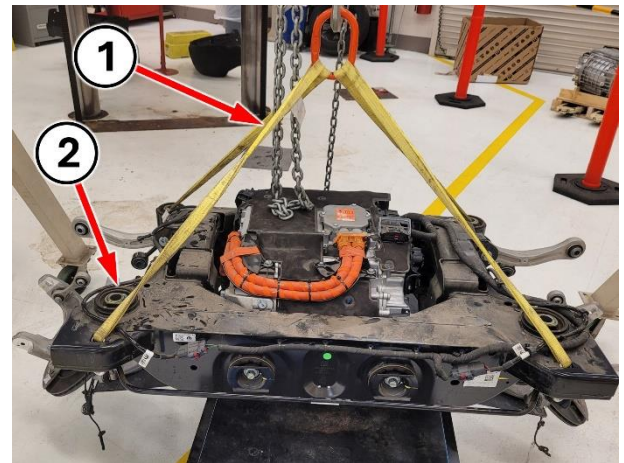
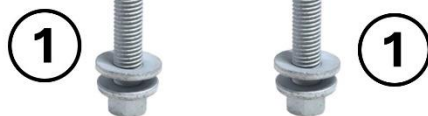
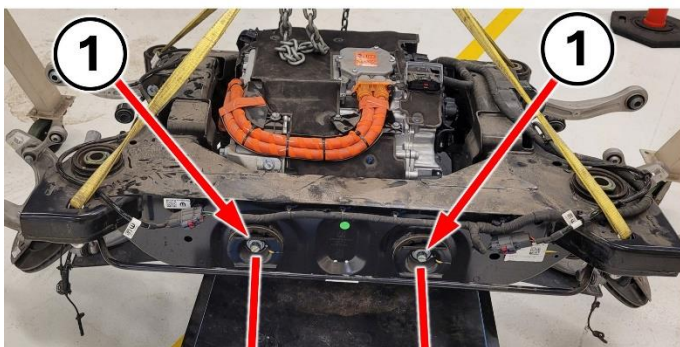


Figure 32 – Cradle Support

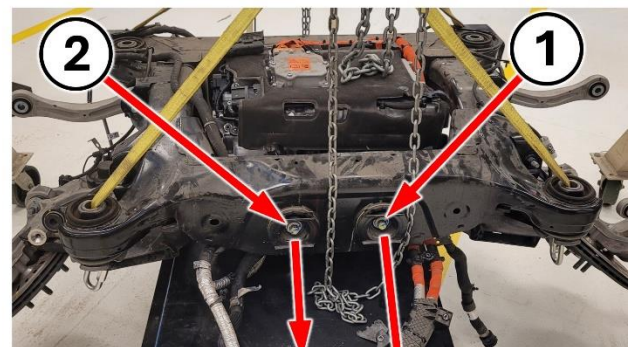
- 1 – Lifting Straps
- 2 - Cradle

71. Remove the cradle to EDM mounting bolts (Figure 33).

CAUTION: Cradle mount bolt (number 2) located on right front position of cradle is longer than the other three bolts (number 1). Take careful note of the bolt length difference and the bolt location especially during reassembly. Damage to EDM will occur if long bolt is installed in the wrong location.



Cradle Rear Bolts



Cradle Front Bolts

Figure 33 – Cradle Fasteners

- 1 – Short Bolts
- 2 – Long Bolt

72. Lift the cradle to separate it from the EDM (Figure 34).

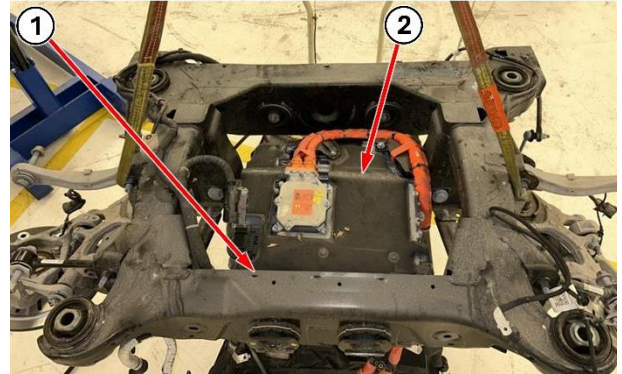


Figure 34 – Cradle and EDM

1 - Cradle

2 - EDM

73. Remove the six fasteners securing the high voltage wire harness to the EDM (Figure 35).

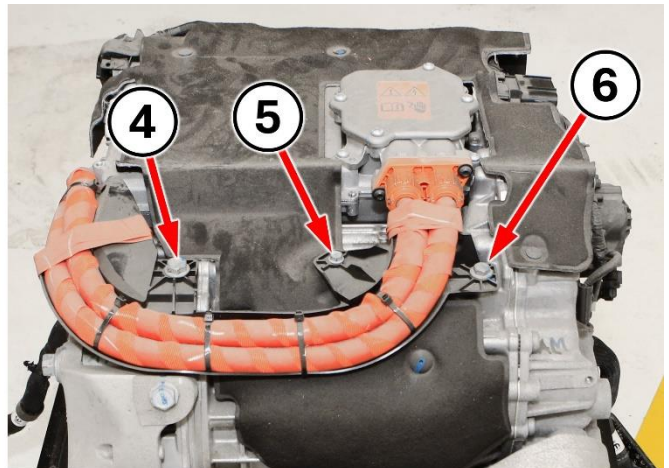


Figure 35 – EDM High Voltage Wire Harness

1 through 6 - Fasteners

74. Remove the fasteners securing the high voltage cover plate (Figure 36).

75. Remove the cover plate (Figure 36).

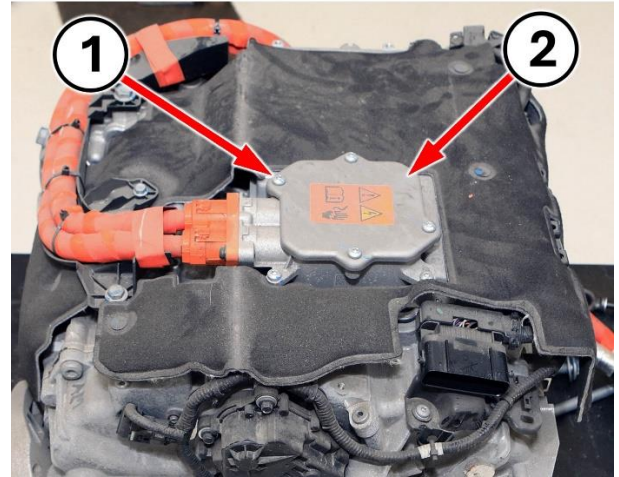


Figure 36 – EDM Cover Plate

- 1 - Screws
- 2 - Cover Plate

76. Remove the fastener (1) securing the High Voltage Interlock (HVIL), then remove the HVIL (2) (Figure 37).

77. Remove the three fasteners (3) securing the guard plate (4) then remove the guard plate (Figure 37).

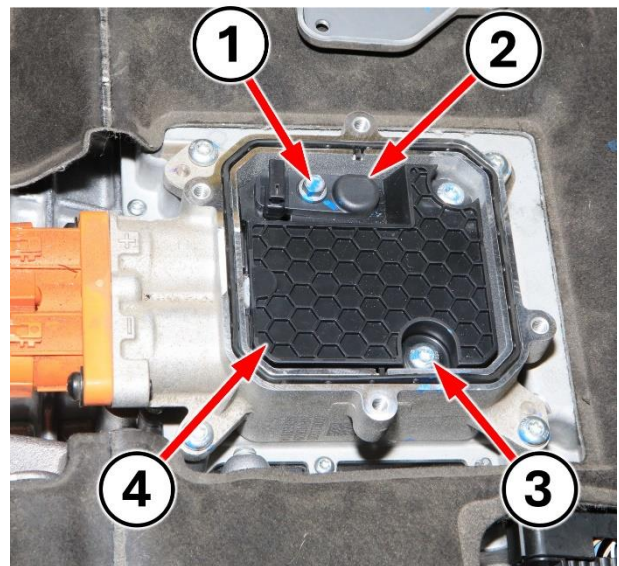


Figure 37 – EDM Guard Plate

- 1 - Fastener
- 2 - High Voltage Interlock (HVIL)
- 3 - Fastener
- 4 - Guard Plate

- 78. Remove the two bolts (1) that secure the high voltage wire harness to the EDM (Figure 38).
- 79. Remove the four screws (2) that secure the high voltage cable housing to the EDM (Figure 38).
- 80. Remove the high voltage cables and housing assembly (3) from the EDM (Figure 38).

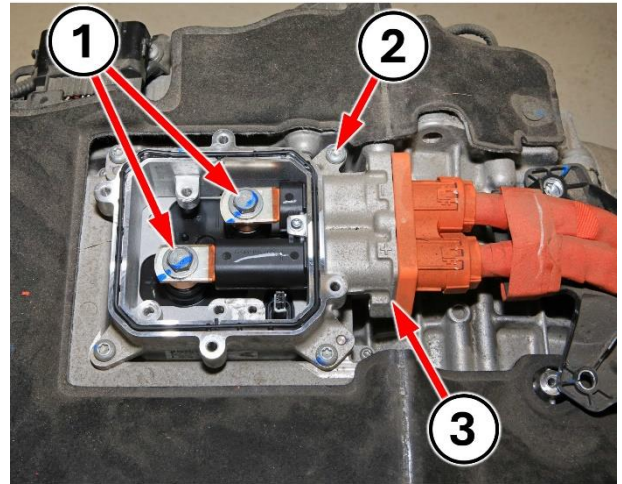


Figure 38 – EDM Cover Plate

- 1 - Bolts
- 2 - Screws
- 3 - High Voltage Cables and Housing Assembly

- 81. Remove the two copper spacers from the EDM high voltage cable terminals (Figure 39).

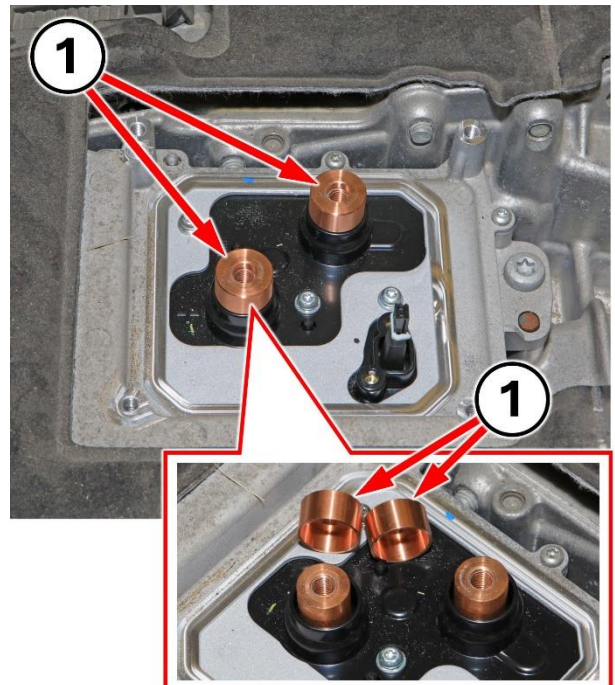


Figure 39 – Copper Spacers

- 1 – Copper Spacers

82. Remove the four push pin retainers then remove the insulating cover from the EDM (Figure 40).

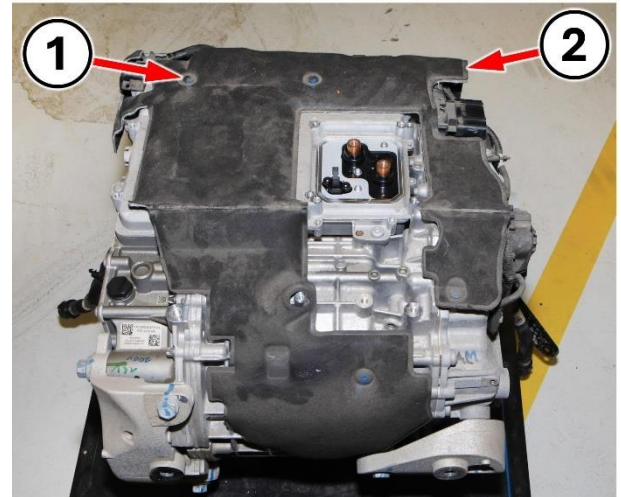
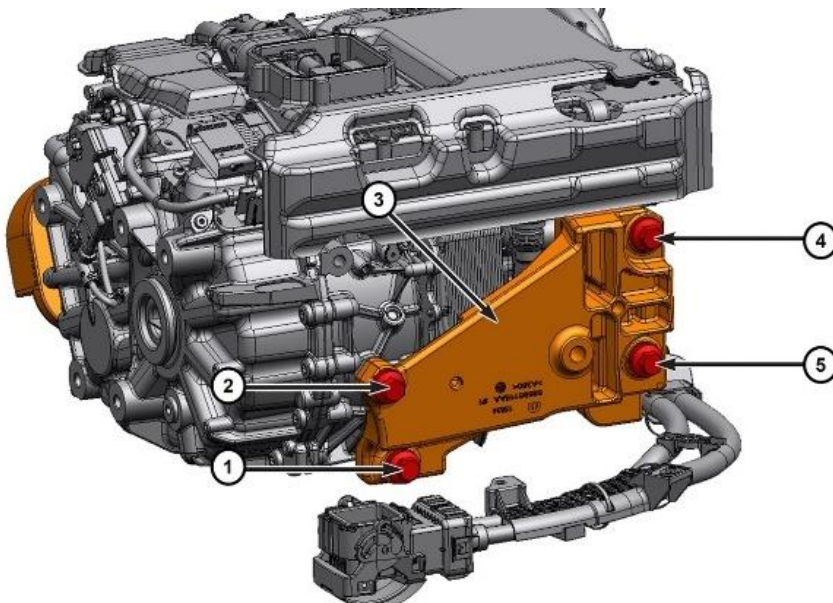


Figure 40 – Insulating Cover

- 1 – Push Pin Retainers
- 2 – Cover

83. Remove the bolts and remove the front mount bracket to the EDM (Figure 41).



- 1 - Bracket To Rear EDM
- 2 - Rear Cradle To EDM
- 3 - Rear EDM Mount Bracket
- 4 - Bracket To Rear EDM
- 5 - Bracket To Rear EDM

Figure 41 – EDM Front Mount Bracket

84. Remove the bolts and remove both rear mount brackets to the EDM (Figure 42).

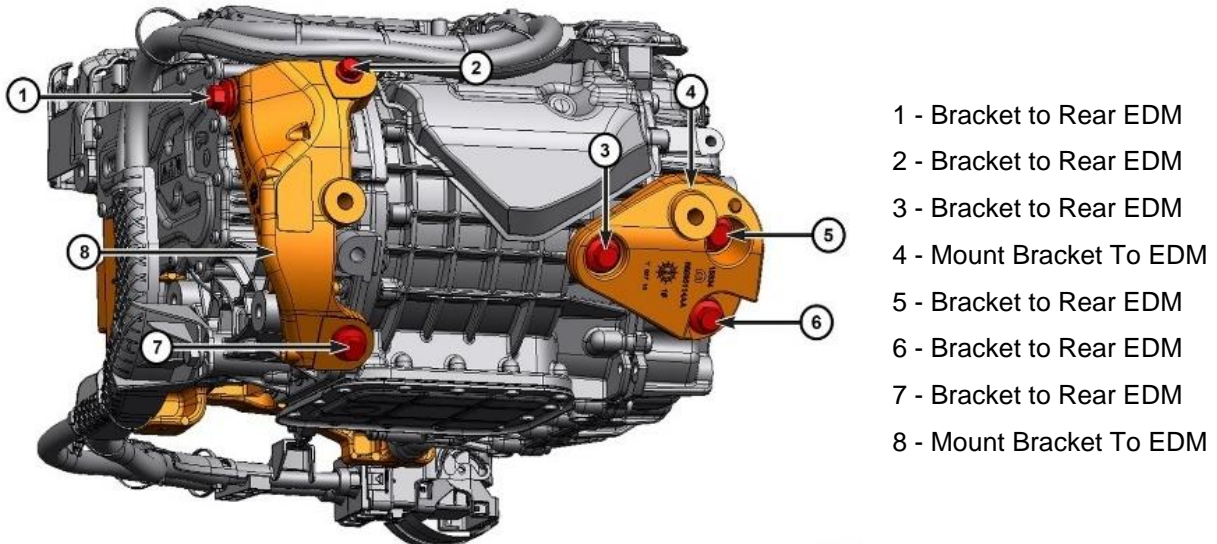


Figure 42 – EDM Rear Mount Brackets

85. Remove the coolant hoses from the EDM (Figure 43).

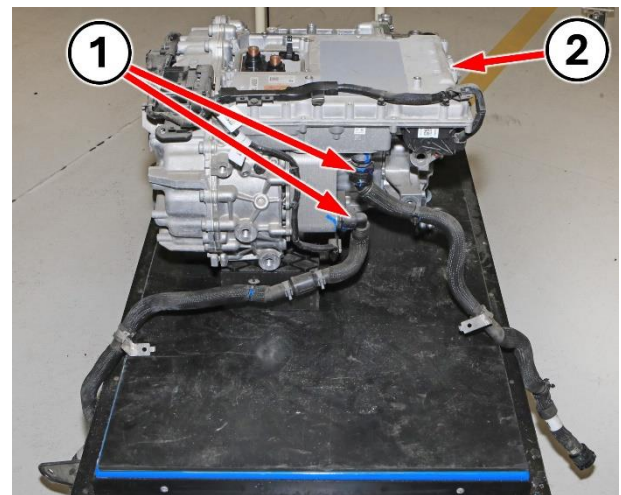


Figure 43 – Coolant Hoses

- 1 - Coolant Hoses
- 2 - EDM

86. Uncrate the **NEW** EDM then crate the old EDM for return or disposal.

87. Place the **NEW** EDM on the lifting platform.

88. Remove the **NEW** EDM shipping covers and plugs then transfer them to the **OLD** EDM for return shipping (Figure 44).

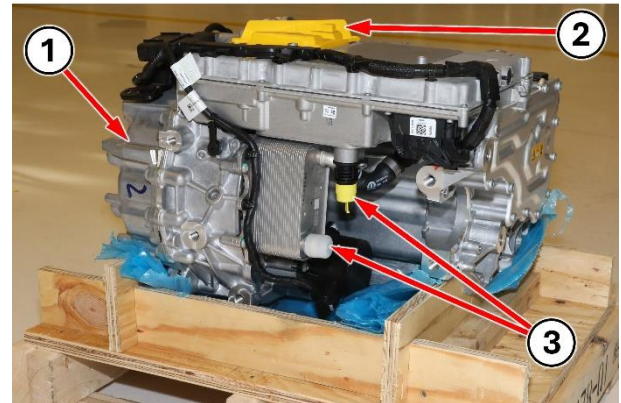


Figure 44 – EDM Shipping

- 1 – EDM
- 2 – Shipping Cover
- 3 – Shipping Plugs

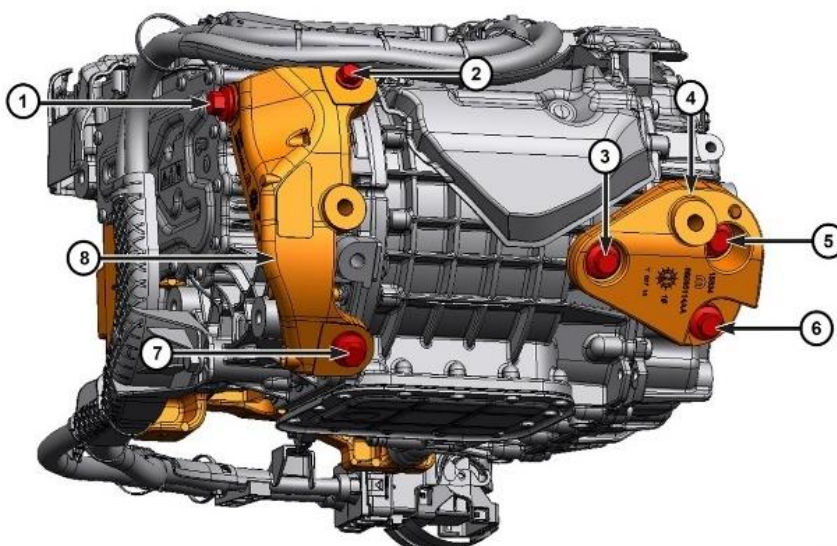
NOTE: The NEW EDM comes pre-filled with lubricant. It is not necessary to check or adjust the lubricant level unless it is obvious that lubricant has leaked out of the NEW EDM during shipping.

89. Install the coolant hoses to the **NEW** EDM (Figure 43).

90. Install the rear mount brackets and bolts to the EDM
 Tighten bolts to specified torque:

- Bolt (2) Tighten to 55 N·m (41 Ft. Lbs.)
- Bolts (1, 3, 5, 6, 7) Tighten to 191 N·m (141 Ft. Lbs.)

(Figure 45).



- 1 - Bracket to Rear EDM
- 2 - Bracket to Rear EDM
- 3 - Bracket to Rear EDM
- 4 - Mount Bracket To EDM
- 5 - Bracket to Rear EDM
- 6 - Bracket to Rear EDM
- 7 - Bracket to Rear EDM
- 8 - Mount Bracket To EDM

Figure 45 – EDM Rear Mount Brackets

SAFETY RECALL

NORTH AMERICA

Park Pawl Spring



Reference: 63C / NHTSA 25V-574

FCA US LLC

91. Install the front mount bracket and bolts to the EDM
Tighten bolts (1, 2, 4, 5) to 191 N·m (141 Ft. Lbs.)
(Figure 46).

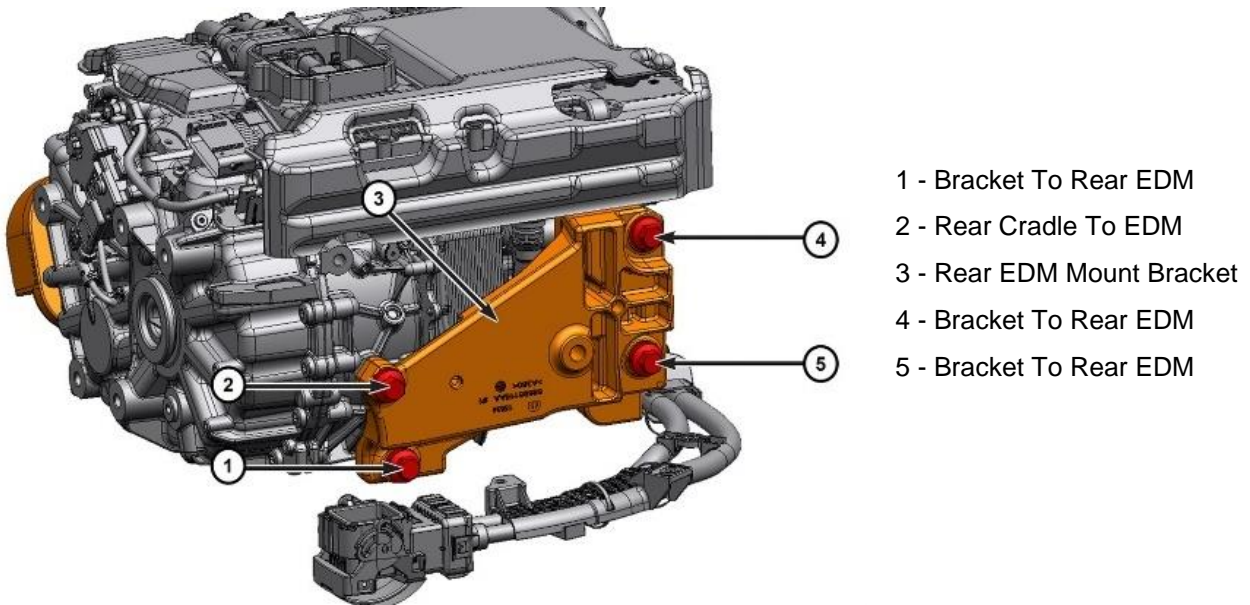


Figure 46 – EDM Front Mount Bracket

92. Install the insulating cover to the EDM and the four push pin retainers (Figure 40).
93. Install the two copper spacers to the EDM high voltage cable terminals (Figure 39).
94. Position the high voltage cables and housing assembly (3) to the EDM (Figure 47).
95. Install the four screws (2) that secure the high voltage cable housing to the EDM and tighten the screws to 8 N·m (70 In. Lbs.) (Figure 47).
96. Install the two bolts (1) that secure the high voltage wire harness to the EDM and tighten the bolts to 20 N·m (15 Ft. Lbs.) (Figure 47).

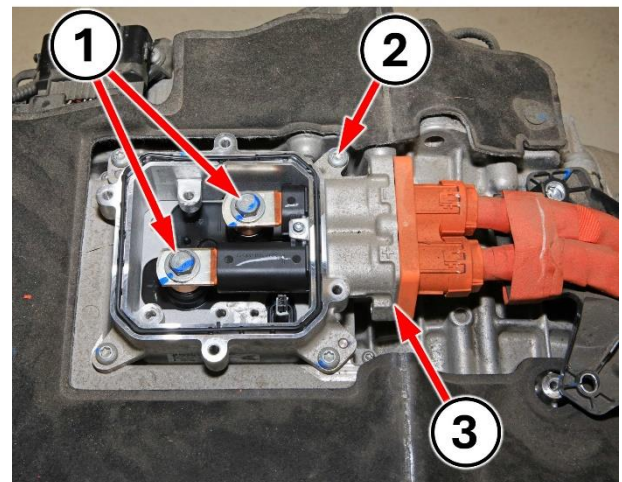


Figure 47 – EDM Cover Plate

- 1 - Bolts
2 - Screws
3 - High Voltage Cables and Housing Assembly

- 97. Install the guard plate (4) to the EDM (Figure 48).
- 98. Install the three guard plate screws (3) and tighten to 8 N·m (70 In. Lbs.) (Figure 48).
- 99. Install the HVIL (2) then install the screw (1) and tighten to 6 N·m (53 In. Lbs.) (Figure 48).
- 100. Install the high voltage cover plate (7) and tighten the screws to 8 N·m (70 In. Lbs.) (Figure 49).
- 101. Install bolts (5 and 6) then tighten securely (Figure 49).
- 102. Install bolt (4) and tighten to 30 N·m (22 Ft. Lbs.) (Figure 49).
- 103. Install bolt (3) and tighten to 20 N·m (15 Ft. Lbs.) (Figure 49).
- 104. Install bolts (1 and 2) then tighten securely (Figure 49).

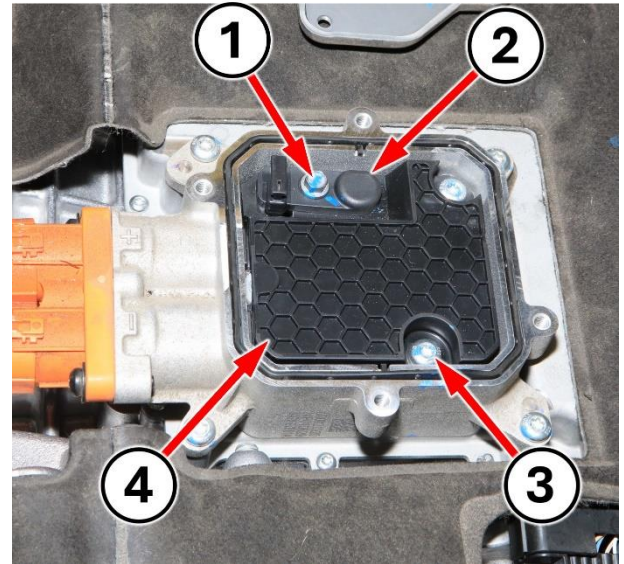


Figure 48 – EDM Guard Plate

- 1 - Fastener
- 2 - High Voltage Interlock (HVIL)
- 3 - Fastener
- 4 - Guard Plate

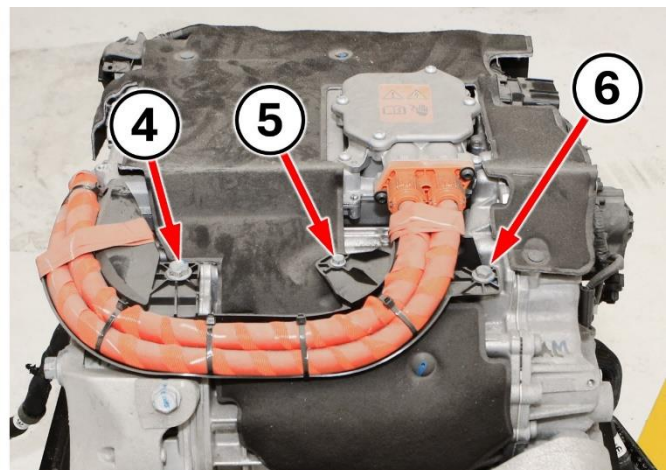
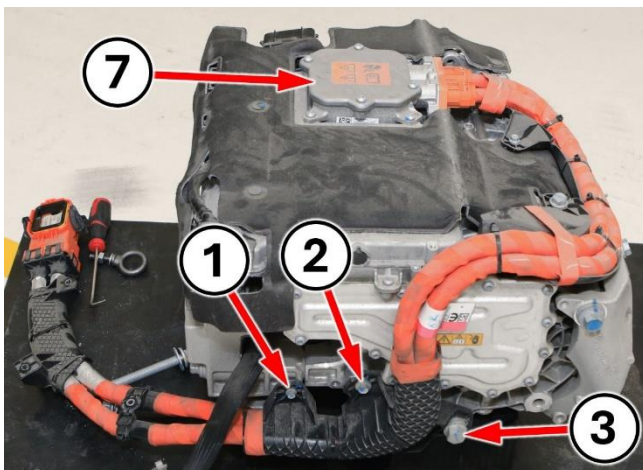


Figure 49 – EDM High Voltage Wire Harness

- 1 through 6 - Wire Harness Trough Fasteners
- 7 - High Voltage Cover Plate

105. Lower the cradle positioning it to the EDM (Figure 34).

CAUTION: Cradle mount bolt (number 2) located on right front position of the rear cradle is longer than the other three bolts (number 1). Damage to EDM will occur if the long bolt is installed in the wrong location (Figure 50).

106. Install the cradle to EDM mounting bolts and tighten the bolts to 191 N·m (141 Ft. Lbs.) (Figure 50).

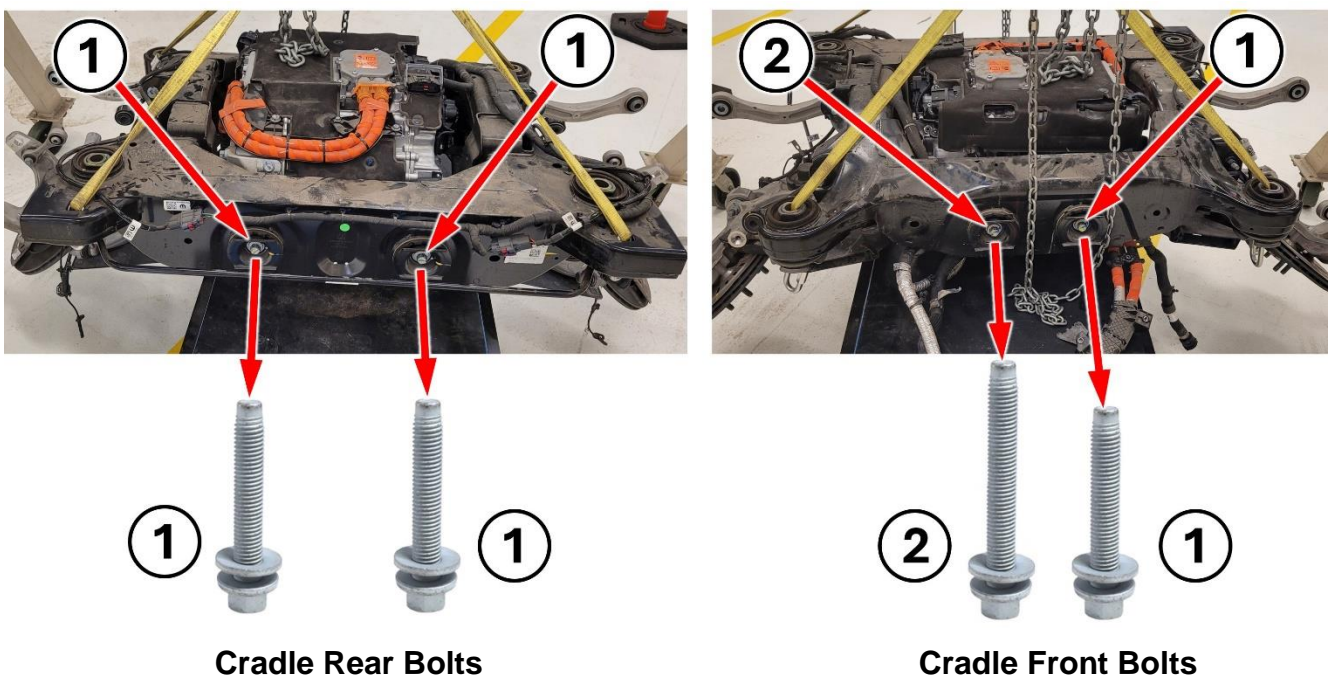


Figure 50 – Cradle Fasteners

1 – Short Bolts

2 – Long Bolt

107. **Left side of EDM:** Position the ground wire terminal to the EDM then install and tighten the fastener securely (Figure 31).

108. **Left side of EDM:** Install the wire harness retainer securing the ground wire to the EDM (Figure 31).

109. **Right side of EDM:** Connect the wire harness connector to the EDM (Figure 30).

110. **Right side of EDM:** Install the half shaft to the EDM (Figure 29).
111. **Left side of EDM:** Install the half shaft to the EDM (Figure 28).
- NOTE: The bearing plate will need to be rotated slightly to clear the wire harness during half shaft installation.**
112. **Left side half shaft:** Install the carrier bearing plate bracket bolts and tighten to 23 N·m (17 Ft. Lbs.) (Figure 28).
113. **Both right and left sides:** Insert the outer halfshaft joint into the knuckle (Figure 27).
- NOTE: Do NOT tighten the suspension link fasteners until vehicle suspension is a ride height.**
114. **Both right and left sides:** Install the upper control arm to knuckle bolt and install the **NEW** nut (Figure 26).
115. **Both right and left sides:** Install the toe link to cradle bolt (Figure 26).
116. **Both right and left sides:** Install the lower link bolt (Figure 26).
117. **Both right and left sides:** Install the coil springs to the cradle (Figure 25).
118. Carefully raise the cradle with the EDM positioning it to the vehicle.
119. Install the cradle studs and bolts. Tighten to 180 N·m (133 Ft. Lbs.) (Figure 24).
120. The supports may now be removed from under the EDM and front of vehicle.
121. **Right side of vehicle:** Position the cradle bracket and install the fasteners (Figure 20).
- Tighten the cradle bracket nut (1) to 51 N·m (38 Ft. Lbs.) (Figure 20).
 - Tighten the cradle bracket bolts (3) to 25 N·m (18 Ft. Lbs.) (Figure 20).
122. Connect the wire harness electrical connectors (5) to the high voltage battery (Figure 19).
123. Secure the wire harness retainer push pins (4) (Figure 19).
124. Install the wire harness retainer bolts (3) and tighten to 11 N·m (8 Ft. Lbs.) (Figure 19).
125. **Left side of vehicle:** Position the cradle bracket with electrical harness and install the cradle bracket fasteners (Figure 19).
- Tighten the cradle bracket nut (1) to 51 N·m (38 Ft. Lbs.) (Figure 19).
 - Tighten the cradle bracket bolts (2) to 25 N·m (18 Ft. Lbs.) (Figure 19).
126. Connect the coolant hose connectors (Figure 18).
127. Secure the coolant hose push pin retainers (Figure 18).
128. Position the rear battery shield to the vehicle (Figure 17).
129. Install the battery shield bolts and tighten all bolts to 15 N·m (11 Ft. Lbs.) (Figure 17).
130. Position the rear cradle bracket to the vehicle install the three bolts and tighten securely (Figure 16).

131. Position the coolant hoses to the rear cradle bracket then install the bolts and tighten securely (Figure 15).
132. Position the rear belly pan to the vehicle then install the fasteners and tighten securely (Figure 14).
133. Position the rear EDM belly pan to the vehicle then install the fasteners and tighten securely (Figure 13).
134. Position the battery belly pan to the vehicle then install the fasteners and tighten securely (Figure 12).
135. On one side of the vehicle, place an adjustable support under the rear lower control arm and raise the suspension to normal curb height.
 - 1) Align the shock absorber to the lower control arm, install the bolt and tighten to 250 N·m (184 Ft. Lbs.) (Figure 21).
 - 2) Tighten the upper control arm to knuckle nut to 120 N·m (89 Ft. Lbs.) (Figure 26).
 - 3) Tighten the toe link to cradle bolt to 120 N·m (89 Ft. Lbs.) (Figure 26).
 - 4) Lower link to lower control arm bolt, tighten securely (Figure 26).
 - 5) Tighten the Lower Control Arm to Knuckle bolt to 100 N·m + 90° (74 Ft. Lbs. + 90°) (Figure 26).
136. Move the adjustable support to the opposite side of the vehicle to raise the suspension to normal curb height then repeat previous steps of tightening suspension fasteners to the proper torque specification on the opposite side of the vehicle.
137. **Left side wheelhouse:** Install the ground wire to the wheelhouse ground stud. Install the nut and tighten securely (Figure 11).
138. **Left side wheelhouse:** Install the ground wire retainers (Figure 11).
139. **Right side wheelhouse:** Connect the chassis wire harness to cradle connectors (Figure 10).
140. **Right side wheelhouse:** Install the ground wire to the wheelhouse ground stud. Install the nut and tighten securely (Figure 10).
141. Secure the wire harness retainers to the vehicle body (Figure 10).
142. **Both right side and left side:** Install the brake caliper assembly with adapter bracket to the rotor and knuckle. Install the rear brake caliper adapter bolts and tighten to 120 N·m (90 Ft. Lbs.) (Figure 8).

NOTE: If the vehicle is equipped with SRT premium high performance brake calipers, the same procedure applies, however the brake caliper design will look different. Refer to the detailed service procedures available in DealerCONNECT/ Service Library under: Service Info> 05 – Brakes / Brake Assembly / Rear Premium. Install the rear brake caliper adapter bolts and tighten to 160 N·m (118 Ft. Lbs.).
143. **(LB) Charger:** Both right side and left side. install the wheel speed sensor to the knuckle then install and tighten the screw to 13 N·m (10 Ft. Lbs.) (Figure 7).
144. **(LB) Charger:** Both right side and left side: Connect the park brake electrical connector to the park brake actuator (Figure 7).

145. **(LB) Charger:** Both right side and left side: secure the wheel speed sensor wire push pin retainers (Figure 7).
 146. **(LB) Charger:** Both right side and left side: Install the two screws securing the wheel speed sensor wire harness brackets and tighten the screws to 9 N·m (80 In. Lbs.) (Figure 7).
 147. **(KM) Wagoneer S:** Both right side and left side. install the wheel speed sensor to the knuckle then install and tighten the screw to 13 N·m (10 Ft. Lbs.) (Figure 6).
 148. **(KM) Wagoneer S:** Both right side and left side: Connect the park brake electrical connector to the park brake actuator (Figure 6).
 149. **(KM) Wagoneer S:** Both right side and left side: secure the wheel speed sensor wire push pin retainers (Figure 6).
 150. **(KM) Wagoneer S:** Both right side and left side: Install the three screws securing the brake hose and wire harness brackets and tighten the screws to 9 N·m (80 In. Lbs.) (Figure 6).
 151. **Both right side and left side rear axles:** Apply the brake then install a **NEW** axle nut and tighten to 165 N·m (122 Ft. Lbs.) (Figure 5).
 152. Install both right side and left side rear wheelhouse splash shields. Refer to the detailed service procedures available in DealerCONNECT/ Service Library under: Service Info> **23 – Body / Exterior / Shield / Rear Wheelhouse Splash Shield** (Figures 2, 3, 4).
 153. Install both right side and left side rear tire and wheel assemblies and lug nuts (Figure 1).
 - **(KM) Wagoneer S:** Tighten the lug nuts to 176 N·m (130 Ft-Lbs).
 - **(LB) Charger:** Tighten the lug nuts to 200 N·m (148 Ft-Lbs).
 154. Perform the High Voltage Loss of Isolation Test Procedure. Refer to the detailed service procedures available in DealerCONNECT/ Service Library under: Service Info> **12 - Electrified Powertrain System / High Voltage Battery / Standard Procedure**).
 155. High voltage power up. Refer to the detailed service procedures available in DealerCONNECT/ Service Library under: Service Info> **12 - Electrified Powertrain System / High Voltage Battery / Standard Procedure**).
 156. The Electric Park Brake (EPB) system must be taken out of service mode. Access the Brake Service menu in UConnect Settings. When the setting is selected, a pop-up will display “Yes” and “No” options.
 157. Open the hood. Install a battery charger which can also support 50-60 amps and verify that the charging rate provides 13.0 to 13.5 volts. Do not allow the charger to time out during the flash process. Set the battery charger timer (if so equipped) to continuous charge.
- NOTE: The vehicle MUST NOT be connected to a high voltage battery charger during this process.**
158. Connect the wiTECH MDP to the vehicle data link connector.
 159. Place the ignition in the “**RUN**” position.
 160. Open the wiTECH 2.0 website.
 161. Enter your “**User id**” and “**Password**” and your “**Dealer Code**”, then select “**Sign In**” at the bottom of the screen. Click “**Accept**”.

162. From the “**Vehicle Selection**” screen, select the vehicle to be updated.
163. From the “**Action Items**” screen, select the “**Topology**” tab.
164. From the “**Topology**” tab, select the “**MCPA**” module icon.
165. From the “**Flash**” tab, compare the “**Current Electronic Control Unit (ECU) Part Number**” with the “**New ECU Part Number**” listed.
 - If the “**Current ECU part Number**” is the same as the “**New Part Number**”, proceed to Step 172.
 - If the “**Current ECU part Number**” is **NOT** the same as the “**New Part Number**”, continue with Step 166.
166. From the MCPA tab, select the MCPA flash part number. Read the flash special instructions page. Select “**OK**” to continue.
167. From the flash ECU agreement page, agree to terms by checking the box.
168. Select “**Flash ECU**” and then follow the wiTECH screen instructions to complete the flash.
169. Confirm the software is at the latest available calibration level.
170. Cycle the ignition to the “**OFF**” position then back to the “**RUN**” position before clearing any DTCs that may have been set in any module during the flash process.
171. Click “**View DTCs**”, select “**Clear All DTCs**”, click “**Continue**” and then click “**Close**”.
172. Select the “**Misc Functions**” tab.
173. Select and perform “**Park Pawl Hardware Replacement**” follow screen prompts.
174. Click “**View DTCs**”, select “**Clear All DTCs**”, click “**Continue**” and then click “**Close**”.
175. Under-hood: Remove the push pins then remove the right side close out panel to access the coolant reservoir bottle.
176. Perform the “**Coolant Service Fill**” procedure located within the EVCU > Miscellaneous Functions tab.
177. Fill the cooling system. Refer to the detailed service procedures available in DealerCONNECT/ Service Library under: Service Info> **12 - Electrified Powertrain System / Battery Cooling / Standard Procedure**.
178. Select the “**Misc Functions**” tab.
179. Select and perform “**Steering Calibration**”, follow screen prompts.
180. Click “**View DTCs**”, select “**Clear All DTCs**”, click “**Continue**” and then click “**Close**”.
181. Place the ignition in the “**OFF**” position and then remove the wiTECH MDP device from the vehicle.
182. Remove the battery charger from the vehicle and close the engine compartment hood.
183. Perform a wheel alignment. Refer to the detailed service procedures available in DealerCONNECT/ Service Library under: Service Info> **02 - Chassis / Suspension / Standard Procedure / Wheel Alignment**.

SAFETY RECALL
NORTH AMERICA
Park Pawl Spring



Reference: 63C / NHTSA 25V-574

FCA US LLC

184. Return the vehicle to the customer or inventory.

This notice applies to your vehicle,

[Model Year and Model]

VIN XXXXXXXXXXXXXXXXXXXX

63C/NHTSA 25V-574

LOGO

VEHICLE PICTURE

YOUR SCHEDULING OPTIONS

1. RECOMMENDED OPTION

Call your authorized Chrysler / Jeep® / Dodge / RAM Dealership.

2. Call the FCA Recall Assistance Center at 1-800-853-1403.

An agent can confirm part availability and help schedule an appointment.

3. Visit recalls.mopar.com, scan the QR code below, or download the Mopar Owner’s Companion App.

QR Code

Get access to recall notifications, locate your nearest dealer, and more through this website or Mopar Owner’s Companion App. You will be asked to provide your Vehicle Identification Number (VIN) to protect and verify your identity. The last eight characters of your VIN are provided above.

DEALERSHIP INSTRUCTIONS

Please reference Safety Recall 63C.

IMPORTANT SAFETY RECALL

Park Pawl Spring

Dear [Name],

This notice is sent to you in accordance with the National Traffic and Motor Vehicle Safety Act.

FCA US LLC has decided that certain [2024 - 2025 model year (KM) Jeep Wagoneer S and (LB) Dodge Charger] vehicles fail to comply with Federal Motor Vehicle Safety Standard (FMVSS) No. 114 - Theft protection and rollaway prevention.

It is extremely important to take steps now to repair your vehicle to ensure the safety of you and your passengers.

WHY DOES MY VEHICLE NEED REPAIRS?

The Electric Drive Module (EDM) on your vehicle ^[1] may have been built with an incorrectly installed Park Pawl Return Spring (PPRS). An incorrectly installed spring may cause the loss of the park function when the vehicle’s gear selector is placed in the Park (P) position, which can allow vehicle rollaway. **Vehicle rollaway can cause a vehicle crash without prior warning and/or injury to others outside the vehicle.**

As advised in the Owner’s Manual: Always apply the parking brake when exiting the vehicle to guard against vehicle movement and possible injury or damage.

The condition above fails to comply with sections 6.2.2 and 6.2.3 of Federal Motor Vehicle Safety Standard (FMVSS) No. 571.114 compliance test procedure for vehicles with transmissions with a "park" position require the vehicle, while on a 10 percent grade, to move no more than 150 mm from the noted vehicle position with the gear selection control in the "park" position once the parking brake and the service brakes are released. Suspect vehicles may move more than 150 mm from the position noted prior to release of the brakes.

HOW DO I RESOLVE THIS IMPORTANT SAFETY ISSUE?

FCA US LLC will repair your vehicle ^[2] free of charge (parts and labor). To do this, your dealer will replace the EDM. The estimated repair time is seven hours. In addition, your dealer will require your vehicle for proper check-in, preparation, and check-out during your visit, which may require more time. Your time is important to us, so we recommend that you schedule a service appointment to minimize your inconvenience. Ask your dealer for alternate transportation options while your vehicle is in service. Please bring this letter with you to your dealership.

TO SCHEDULE YOUR FREE REPAIR, CALL YOUR CHRYSLER, JEEP®, DODGE OR RAM DEALER TODAY

WHAT IF I ALREADY PAID TO HAVE THIS REPAIR COMPLETED?

If you have already experienced this specific condition and have paid to have it repaired, you may visit www.fcarecallreimbursement.com to submit your reimbursement request online. ^[3] Once we receive and verify the required documents, reimbursement will be sent to you within 60 days. If you have had previous repairs performed and/or already received reimbursement, you may still need to have the recall repair performed.

We apologize for any inconvenience, but are sincerely concerned about your safety. Thank you for your attention to this important matter.

Customer Assistance/Field Operations
FCA US LLC



Mr. Mrs. Customer
1234 Main Street
Hometown, MI 48371

[1] If you no longer own this vehicle, please help us update our records. Call the FCA Recall Assistance Center at 1-800-853-1403 to update your information.

[2] If your dealer fails or is unable to remedy this defect without charge and within a reasonable time, you may submit a written complaint to the Administrator, National Highway Traffic Safety Administration, 1200 New Jersey Ave., S.E., Washington, DC 20590, or you can call the toll-free Vehicle Safety Hotline at 1-888-327-4236 (TTY 1-888-275-9171), or go to safercar.gov.

[3] You can also mail in your original receipts and proof of payment to the following address for reimbursement consideration: FCA Customer Assistance, P.O. Box 21-8004, Auburn Hills, MI 48321-8007, Attention: Recall Reimbursement.

Note to lessors receiving this recall notice: Federal regulation requires that you forward this recall notice to the lessee within 10 days.