

SAFETY ADVISORY # 25-472

Pivot Bunk Hardware

Keystone is conducting a voluntary RECALL notification campaign in accordance with the National Highway Transportation and Safety Act. It has been decided that vehicles in the recall population may have defective pivot bunk hardware. Under certain circumstances during use, the bunk brackets may bend or break, leading to an increased risk of personal injury.

<u>Year</u>	<u>Model</u>	<u>Serial Number Range</u>
2026	Hideout 131RK	TW240096 - TW240497
2026	Springdale 1310RK	TW100333 - TW100499

Parts Required: 4 – KRV # 768063 - Bracket - Bunk - 2" x 1 3/4" x 3/4" - Black
(This part may be ordered in bulk without a VIN)

Tools Required: - Screw gun with a square head or Phillips bit

When performing warranty or recall service, please make certain that appropriate Personal Protective Equipment (PPE) is used.

The remedy is to identify the pivot bunk hardware components and replace the defective bunk brackets.

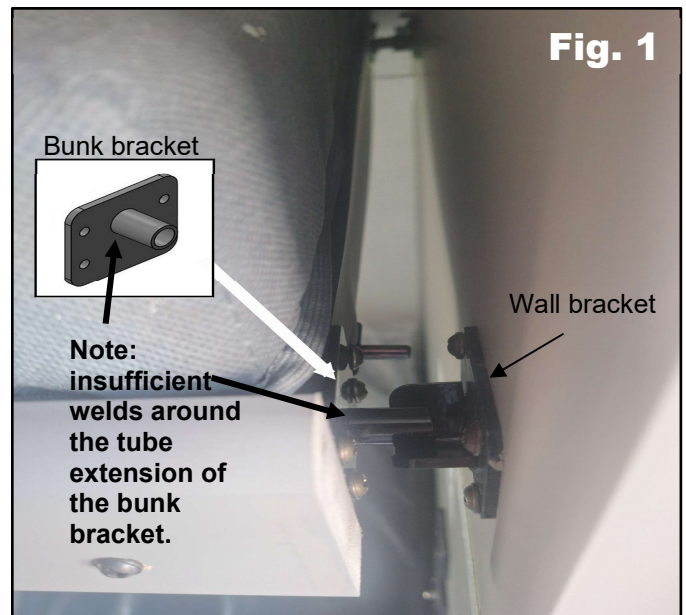
REPAIR INSTRUCTIONS

Step 1

Locate the trailer on a level, flat, hard surface.
Chock the wheels.

Step 2

Identify the four defective bunk brackets located on the outside corners of the bunk frame. See Fig. 1.





Step 3

Set the bunk bed mattress aside. Identify the restraint bracket that is mounted over top of the rear wall bracket. Use a screw gun and bit to remove the two screws securing it to the wall. Set the restraint bracket and screws aside. Repeat this process on the opposite side of the bunk frame. See Fig. 2.

Step 4

With the restraint brackets now removed, lift the bunk frame upward until the bunk brackets are no longer resting inside the wall brackets. Carefully, move the bunk frame to an area with ample workspace.

Step 5

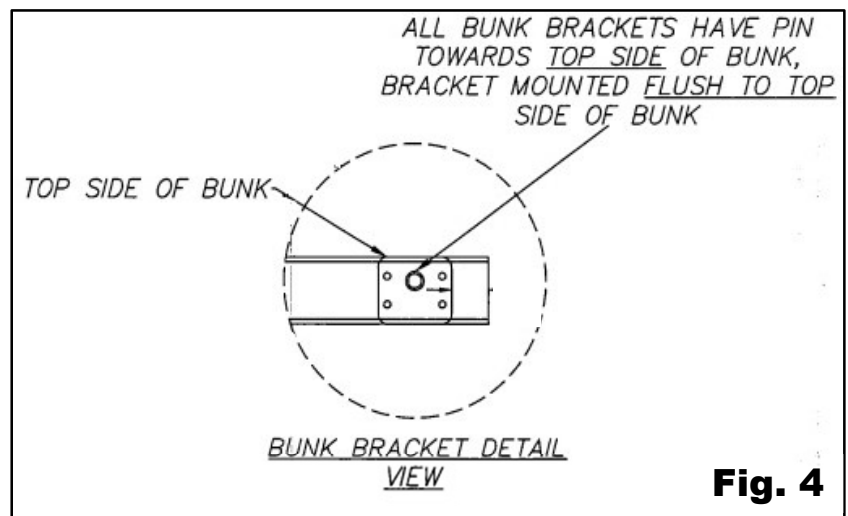
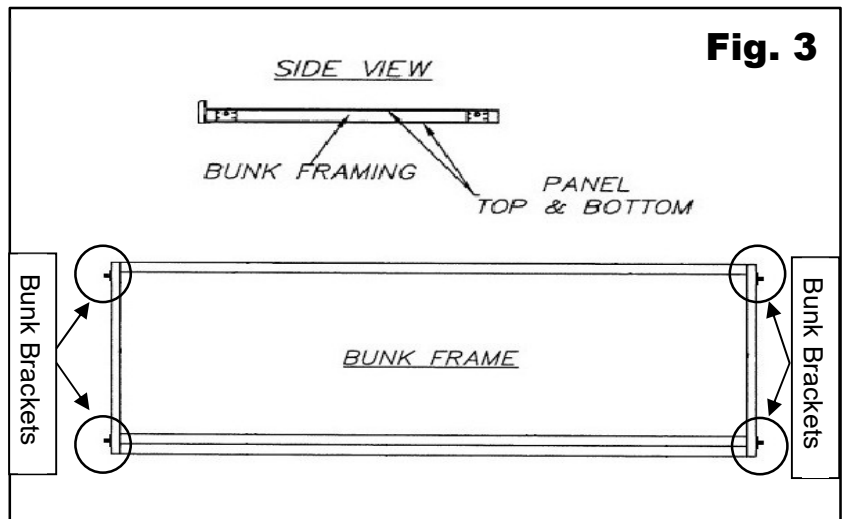
Use a screw gun to remove the four screws securing the bunk bracket (Identified in Fig.1) from the side of the bunk frame. Discard the bunk bracket. Set the screws aside. Repeat this step for the remaining bunk brackets. See Fig. 3.

Step 6

Secure the four replacement Bunk brackets (KRV # 768063 - Bracket - Bunk - 2" x 1 3/4" x 3/4" – Black) to the bunk frame using the (16) screws that were set aside in the previous step. See Fig. 4.

Step 7

Mount the bunk frame back into place by aligning the four bunk brackets to rest inside the mounted wall brackets. Take the restraint brackets and screws (set aside in Step 3) and secure them over both rear wall brackets. See Fig. 2.



**Step 8**

Lift the front of the bunk frame upward to ensure that the bunk latch bolts align with the strike plates mounted on the side walls. If misaligned, remove the screws securing the strike plate and remount with proper alignment. See Fig. 5.

WARRANTY REIMBURSEMENT**REPAIR**

Submit a Claim on Key Express using **Flat Rate Code # 7147242B**

In the Complaint section note: Safety Advisory # 25-472

In the Cause section note: Bunk brackets defective.

In the Correction section note: Bunk brackets replaced.

The amount of time authorized for this repair is **0.6 hour**.

PARTS DISPOSITION

No parts return

Please call Keystone RV Customer Service at **(855) 895-4422** if you have any questions.