

SERVICE PROCEDURE

25508
September, 2025

SUBJECT: SAFETY RECALL

Brake systems on certain 2024 thru 2026 International® LT® Series trucks built 2023-12-12 thru 2025-06-11, 2026 International® RH™ Series trucks built 2024-10-30 thru 2024-12-02 with air tanks located between the frame rails (0004VHX, 0004VJK, 0004VJG), and either Eaton or International automated manual transmissions with electronic stability control or automatic traction control (0004AZJ, 0004AZS, or 0004AZV), and Hill Start Assist (0504240)

CUSTOMER LETTER

Print ready (PDF file) copy of the [Customer Letter](#)

DEFECT DESCRIPTION

The exhaust port on the Hill Start Assist (HSA) valve can become clogged with ice and debris preventing the release of service brake application pressure.

Failure to release application air for the service brakes may result in dragging brakes or an inability to safely drive the vehicle out of traffic, which may increase the risk of a crash.

MODELS INVOLVED

This safety recall involves certain 2024 thru 2026 International® LT® Series trucks built 2023-12-12 thru 2025-06-11, 2026 International® RH™ Series trucks built 2024-10-30 thru 2024-12-02 with air tanks located between the frame rails (0004VHX, 0004VJK, 0004VJG), and either Eaton or International automated manual transmissions with electronic stability control or automatic traction control (0004AZJ, 0004AZS, or 0004AZV), and Hill Start Assist (0504240).

ELIGIBILITY

This procedure applies ONLY to vehicles marked in the International® Service PortalSM with Safety Recall 25508. Also complete any other open campaigns listed on the Service Portal at this time.

PARTS INFORMATION

Part Number	Part Description	Quantity
417199C3	Tube, Air Brake, Nylon Bulk, 3/8 OD, BLACK	Cut to length
3519907C2	Elbow 90 Degree 1/8 FPT X 3/8 PTC	1
2017500C2	Fitting, Tee 3/8 PTC X 3/8 NPTM X 3/8 PTC	1

Table 1 Parts Information

SERVICE PROCEDURE

WARNING! To prevent personal injury and / or death, or damage to property, park vehicle on hard flat surface, turn the engine off, set the parking brake and install wheel chocks to prevent the vehicle from moving in either direction.

WARNING! To prevent personal injury and / or death, or damage to property, if the vehicle must be raised, do not work under the vehicle supported only by jacks. Jacks can slip or fall over.

WARNING! To prevent personal injury and / or death, always wear safe eye protection when performing vehicle maintenance.

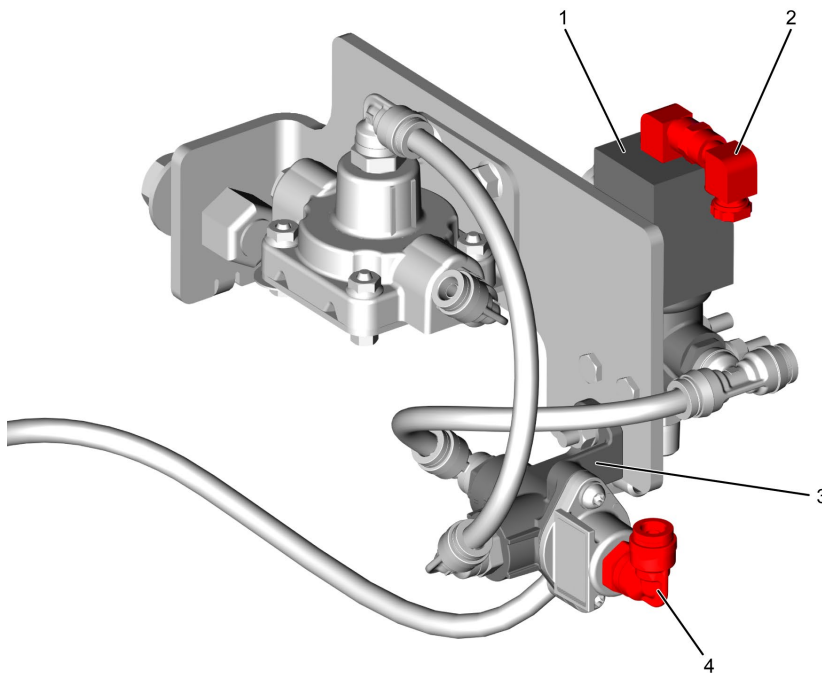
WARNING! To prevent personal injury and / or death, or damage to property, allow engine / vehicle components to cool before servicing.

WARNING! To prevent personal injury and / or death, or damage to property, keep flames or sparks away from vehicle and do not smoke while servicing the vehicle's batteries. Batteries expel explosive gases.

CAUTION! To prevent damage to property, ensure male and female port threads and sealing surface are free of debris, nicks or scratches prior to installation.

CAUTION! To prevent damage to property, NEVER use power / impact tools for component disassembly / assembly.

1. Park vehicle on flat surface.
2. Shift transmission to Park or Neutral and set parking brake.
3. Install wheel chocks.
4. Unlatch and open hood.
5. Access Hill Start Assist (HSA) valve module located on driver-side of frame rail.

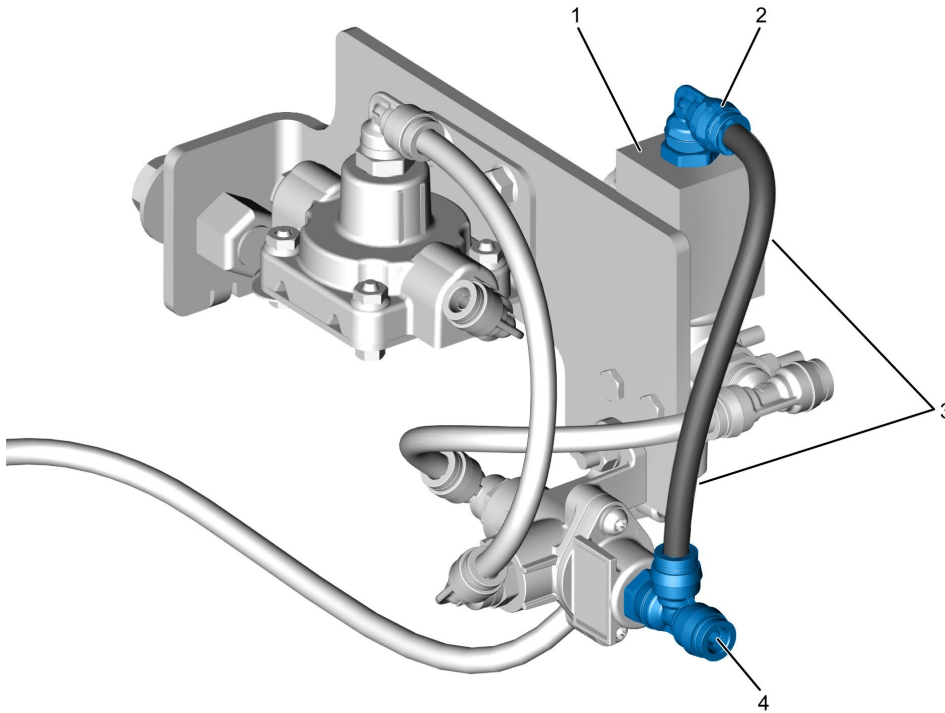


0000491586

Figure 1. HSA Solenoid Valve – Lower and Upper Elbow

1. HSA solenoid valve
2. Exhaust port
3. Double check valve
4. Elbow

6. Record and mark line being separated from the elbow (Figure 1, Item 4), and remove line.
7. Remove exhaust port (Figure 1, Item 2) and elbow (Figure 1, Item 4) and discard.



0000491587

Figure 2. HSA Solenoid Valve – Tee Fitting

1. HSA solenoid valve
2. Upper elbow
3. Tube
4. Tee fitting

CAUTION! To prevent damage to property, NEVER use power / impact tools for component disassembly / assembly.

CAUTION! To prevent damage to property, ensure male and female port threads and sealing surface are free of debris, nicks or scratches prior to installation.

8. Ensure HSA solenoid valve (Figure 2, Item 1) is clean and free of any debris, then apply thread tape to upper elbow (Figure 2, Item 2).
9. Align and position upper elbow (Figure 2, Item 2) to HSA solenoid valve (Figure 2, Item 1). Loosely install elbow retaining nut.
10. Install quick-connect tee fitting (Figure 2, Item 4).
11. Install tube (Figure 2, Item 3) to upper elbow (Figure 2, Item 2) and tee fitting (Figure 2, Item 4).

12. Adjust position of assembly as necessary.
13. Using a crowfoot socket and torque wrench, tighten upper elbow (Figure 2, Item 2) to 8 lb-ft (11 N·m).
14. Reinstall previously removed air line into available port of tee fitting (Figure 2, Item 4).
15. Start vehicle, allow air pressure to build, and inspect module for leaks. Repair if necessary.
16. Close and latch hood.
17. Remove wheel chocks.

END OF SERVICE PROCEDURE

LABOR INFORMATION

Operation Number	Description	Time
A40-25508-1	Reroute Exhaust Port	0.7 hr

Table 2 Labor Information

CAMPAIGN IDENTIFICATION LABEL

Each vehicle corrected in accordance with this campaign must be marked with a CTS-1075 Campaign Identification Label.

Complete the label and attach on a clean surface next to the vehicle identification number (VIN) plate.

DO NOT REMOVE

INTERNATIONAL

Campaign No. _____

VIN _____

Eng.# _____

COMPLETED

Service Location Code # _____

DO NOT REMOVE

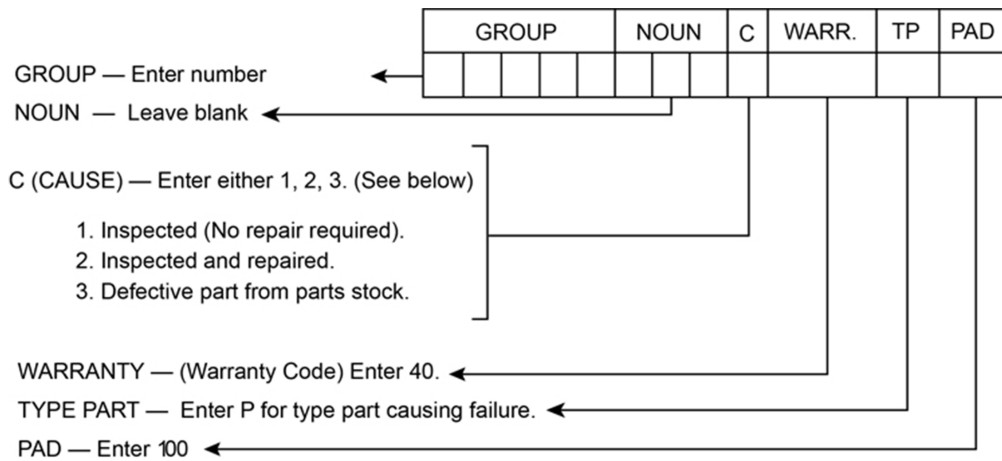
ADMINISTRATIVE / DEALER RESPONSIBILITIES

WARRANTY CLAIMS

Warranty claim expense is to be charged to Warranty. Claims are to be submitted in the normal manner, making reference to Safety Recall 25508.

Section 7 of the Warranty Policy and Procedures Manual contains further information related to the submission and processing of AFC / Recall claims.

As with all claim submissions, items acquired locally must be submitted in the "Other Charges" tab. The cost of any bulk items (such as a bag of cable tie straps, roll of wire, barrel of oil, or tube of silicone) should be prorated for the cost of the individual pieces / amount used during each repair.



0000047910

UNITED STATES AND POSSESSIONS

The National Traffic and Motor Vehicle Safety Act, as amended, provides that each vehicle that is subject to a vehicle recall campaign must be adequately repaired within a reasonable time after the owner has tendered it for repair. A failure to adequately repair within 60 days after a tender of a vehicle is prima facie evidence of failure to repair within a reasonable time. If the condition is not adequately repaired within 60 days, the owner may be entitled to replacement with an identical or reasonable equivalent vehicle at no charge, or to a refund of the purchase price less a reasonable allowance for depreciation.

Dealers must correct all vehicles subject to this campaign at no charge to the owner, regardless of mileage, age of vehicle, or ownership, from this time forward.

Dealers should proceed immediately to make necessary correction to units in inventory. Federal law prohibits a dealer from delivering under a sale or lease, a new motor vehicle or any new or used item of motor vehicle equipment (including a tire) covered by the notification of a recall until the defect or noncompliance is remedied.

Dealers must make every effort to promptly schedule an appointment with each owner to repair his or her vehicle as soon as possible. However, consistent with the customer notification, dealers are expected to complete the repairs on the mutually agreed upon service date.

Dealers involved in the recall process will be furnished a listing of owner names and addresses to enable them to follow up with owners and have the vehicles corrected. Use of this listing must be limited to this campaign because the list may contain information obtained from state motor vehicle registration records, and the use of such motor vehicle registration data for purposes other than this campaign is a violation of law in several states.

CANADA

Dealers must correct all vehicles subject to this campaign at no charge to the owner, regardless of mileage, age of vehicle, or ownership, from this time forward.

Dealers should proceed immediately to make necessary correction to units in inventory. All inventory vehicles subject to this recall campaign must be corrected prior to sale, transfer or delivery. If vehicles have been sold or transferred and you are in receipt of Customer Notification Letters and Authorization for Recall Service cards for those vehicles, the transfer location or customer must be notified immediately from your dealer location.

Dealers must make every effort to promptly schedule an appointment with each owner to repair his or her vehicle as soon as possible. However, consistent with the customer notification, dealers are expected to complete the repairs on the mutually agreed upon service date.

Dealers involved in the recall process will be furnished a listing of owner names and addresses to enable them to follow up with owners and have the vehicles corrected. Use of this listing must be limited to this campaign because the list may contain information obtained from state motor vehicle registration records, and the use of such motor vehicle registration data for purposes other than this campaign is a violation of law in several states.

EXPORT

Export Distributors should proceed immediately to make necessary correction to units in inventory. All inventory vehicles subject to this recall campaign must be corrected prior to sale, transfer or delivery. If vehicles have been sold or transferred and you are in receipt of Customer Notification Letters and Authorization for Recall Service cards for those vehicles, the transfer location or customer must be notified immediately from your distributor location.

Export Distributors are to submit warranty claims in the usual manner making reference to this recall number.

Export Distributors are expected to provide full cooperation and follow-up with respect to this important subject matter. If you have any questions or need further assistance, please contact the Regional Service Manager at your regional office.

International Motors, LLC*
International Motors, LLC d/b/a International
Motors USA LLC in Illinois and Ohio.