



Volvo Car Customer Service

QB Instruction VCC-531702-2

Title	Cable shoe	Page	1 (10)
Action	Adjustment	Operation number:	

Issue	Date	Reason
1	2025-05	First issue

Affected vehicles

Model year	Model
2025	Polestar 3

Male side of the inline front bumper/engine bay connector on the engine bay cable harness replacement.

Materials

Materials	Qty.	Part No.	Notes
Splice	35.0	32473015	
Splice	1.0	32473016	
Electrical tape	0.2		Consumable;
Tab housing	1.0	32331826	
Repair terminal	32.0	31409739	
Plug	8.0	32264961	
Plug	6.0	32264960	
Wiring harness	1.0	32374981	ROW;
Plug	2.0	31499042	
Repair terminal	1.0	32473228	
Repair terminal	1.0	31450880	
Repair terminal	2.0	32452884	
Wiring harness	1.0	32412078	US/CA;

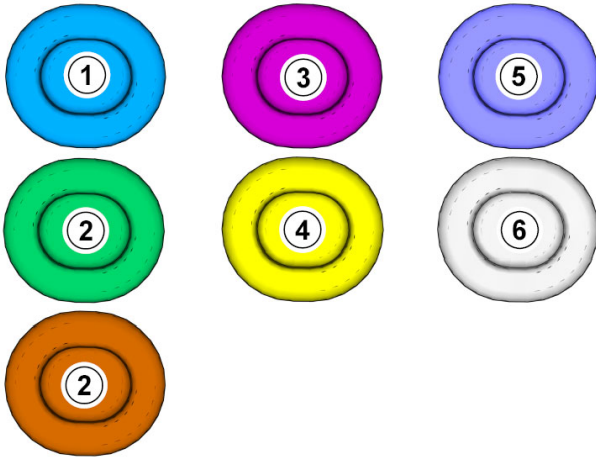
Special tools

Description	Part No.
Stripping tool (for wiring)	951 2620
Hot air gun (110 V US)	951 2850
Hot-air gun (220V UK)	951 2851
Hot-air gun	951 2777

Equipment

Designation	Part No.
Carpet knife	

Color symbols

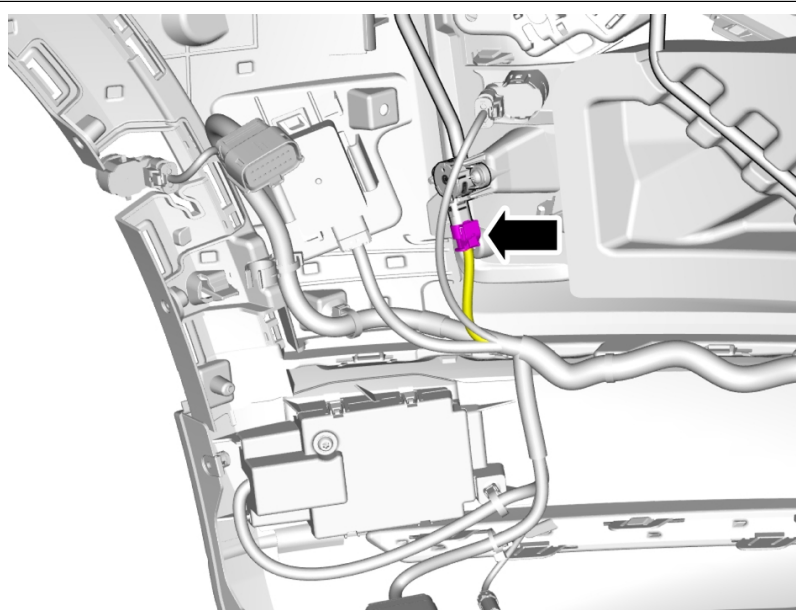


Note! This colour chart displays (in colour print and electronic version) the importance of the different colours used in the images of the method steps.

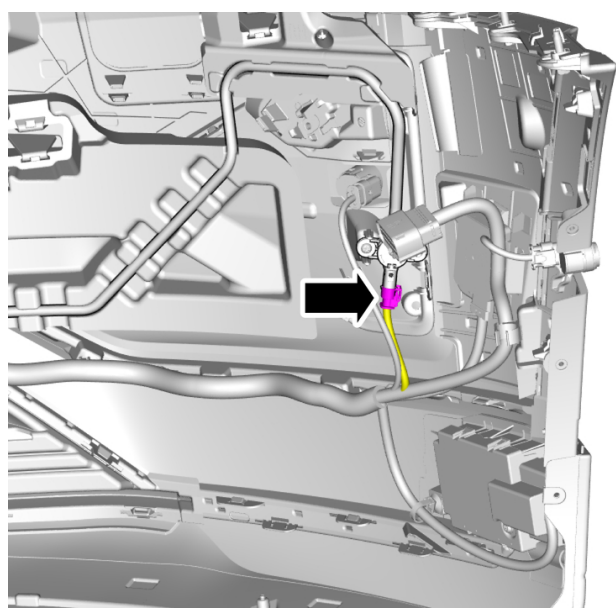
- 1 . Used for focused component, the component with which you will do something.
- 2 . Used as extra colors when you need to show or differentiate additional parts.
- 3 . Used for attachments that are to be removed/installed. May be screws, clips, connectors, etc.
- 4 . Used when the component is not fully removed from the vehicle but only hung to the side.
- 5 . Used for standard tools and special tools.
- 6 . Used as background color for vehicle components.

Removal

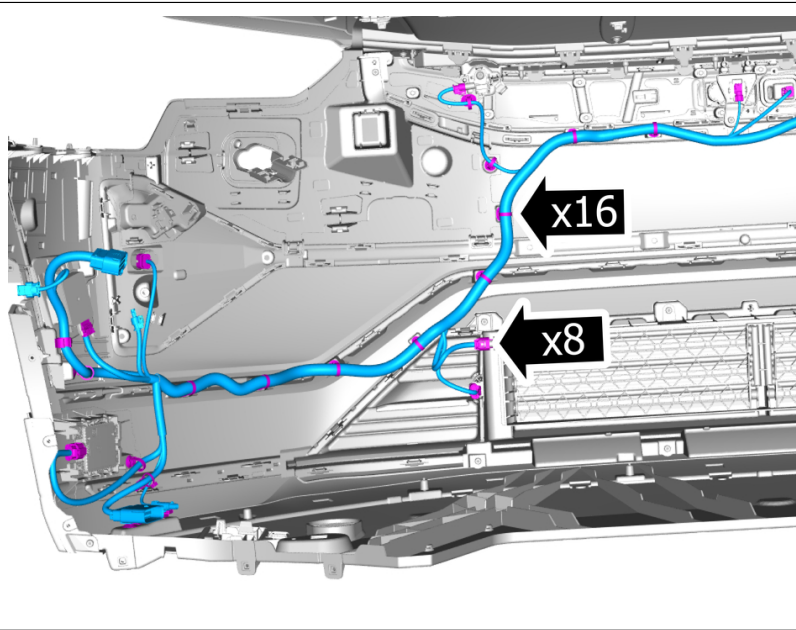
Remove cover bumper front , refer to:
 Removal, replacement and installation
 8 - Body and interior
 86 - Bumpers and mudflaps
 861 - bumper with suspension and damping



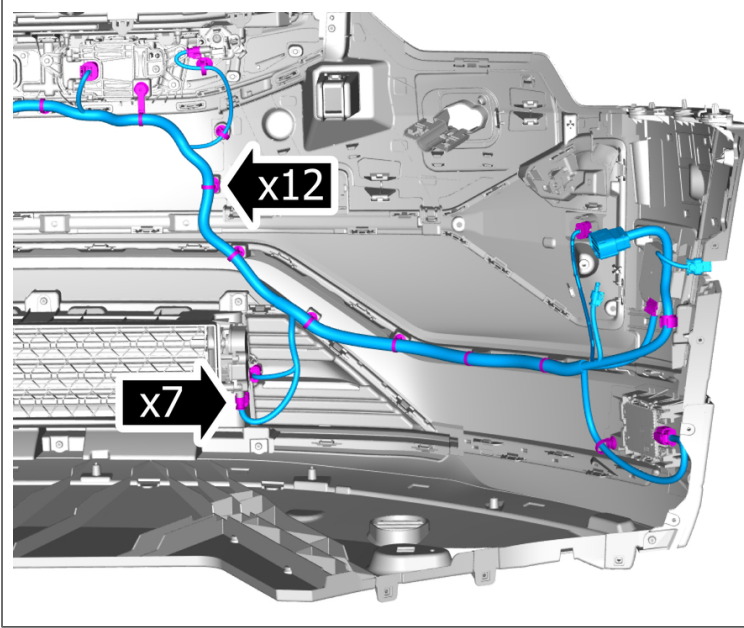
Disconnect the connector.



Disconnect the connector.



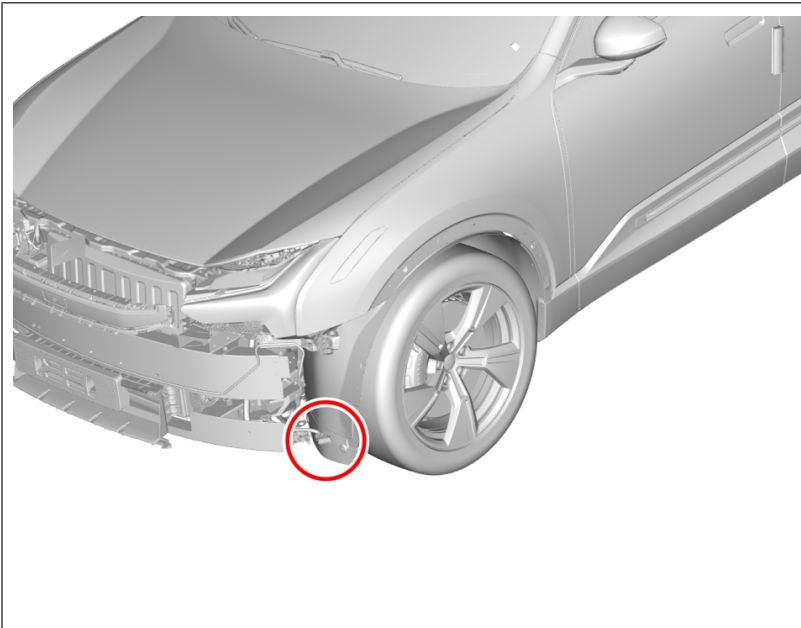
Disconnect the connectors.
Remove the cable harness clips.



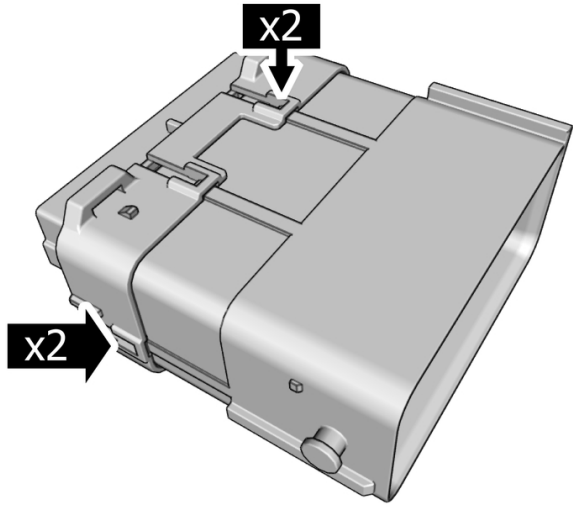
Note! Make sure that a new component is installed.

Disconnect the connectors.
Remove the cable harness clips.
Remove the marked part.

Preparation

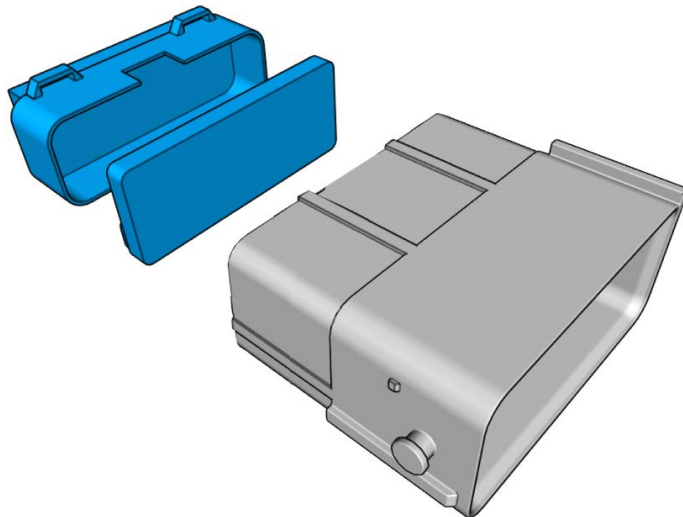


Note! Orientation view



Note! Make sure that new components are installed.

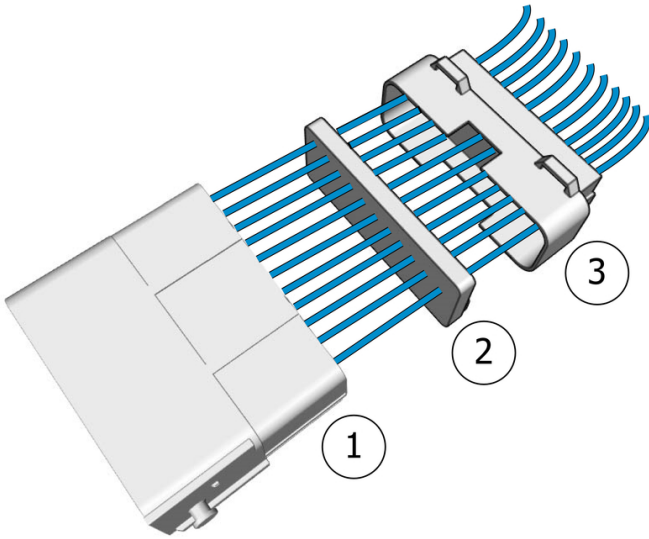
Release the catches.



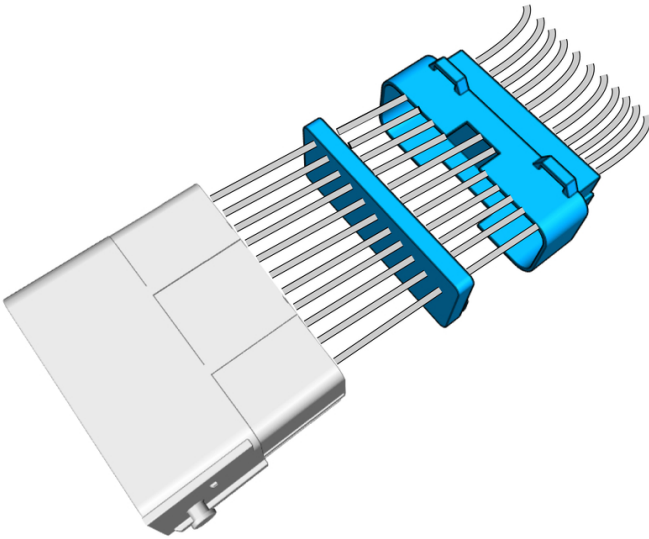
Remove the marked parts.

Note! Ensure the assembly order.

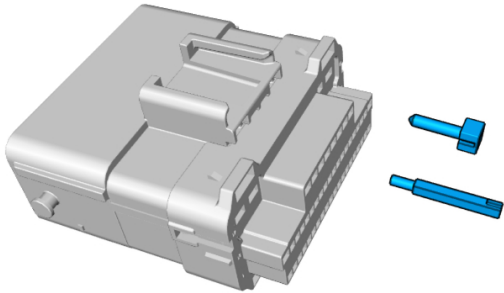
Install the repair terminals and plugs in the positions according to the vehicle's existing wiring.



Install the marked components.

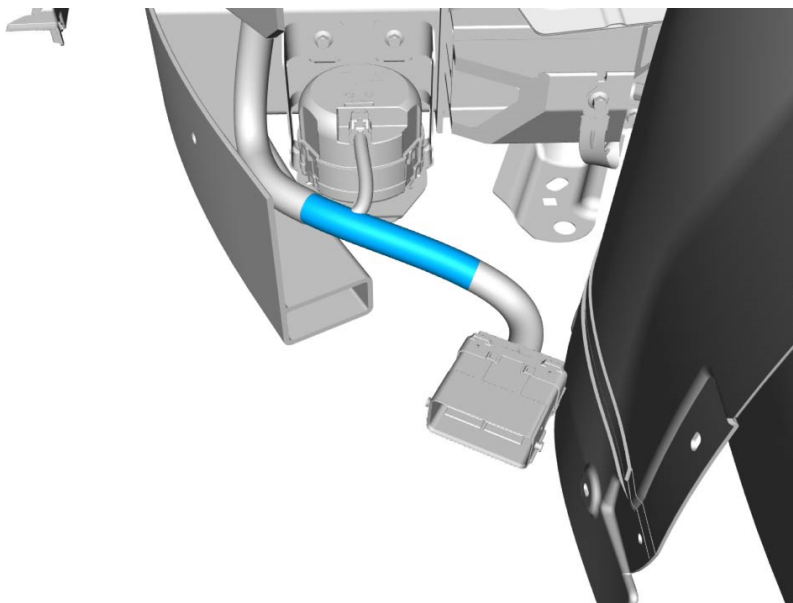


Caution! Use plugs in unlocated positions



Installation

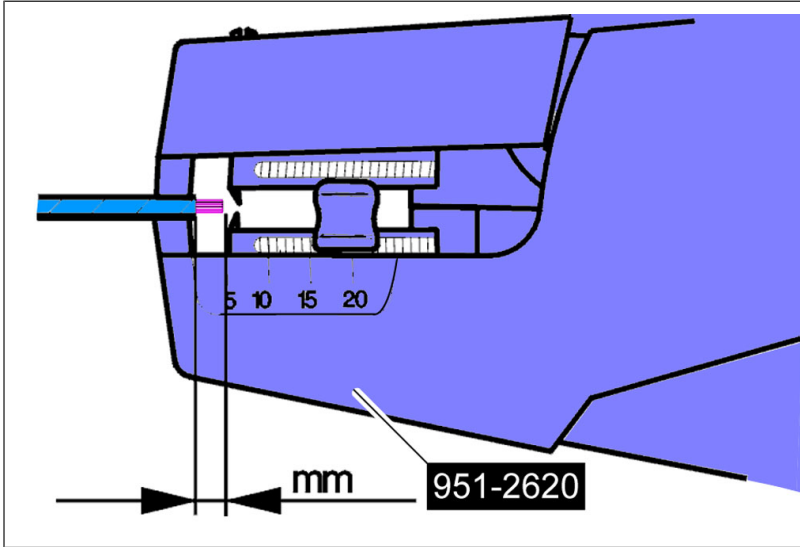
See information on joining cables , refer to:
Cleaning, Inspection and Adjustment
3 - Electrical system
37 - Cables and fuses
371 - cables



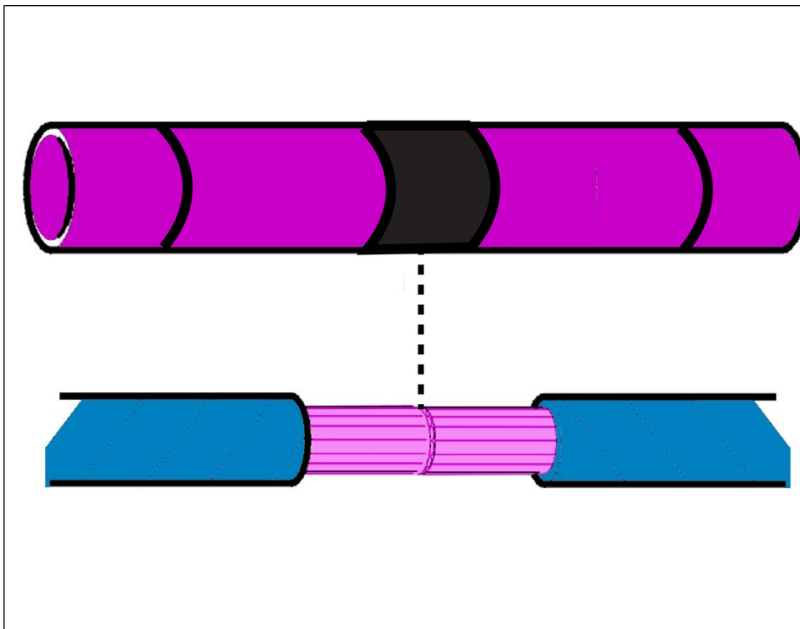
Caution! Note the position of each cable.

Note! Only work on 1 cable at a time.

Place the splices evenly distributed.



Special Tool: T9512620, Stripping tool (for wiring)



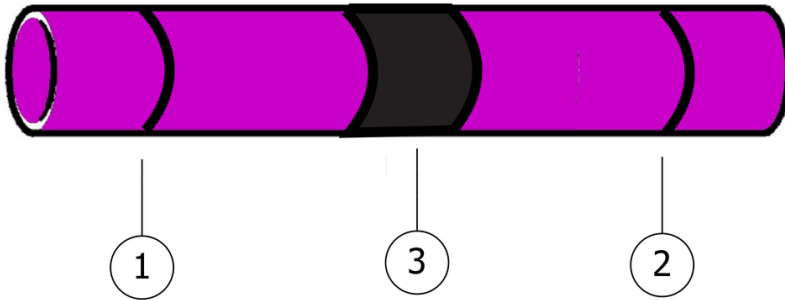
Caution! Make sure that the surface is clean and free of foreign material.

Use: Carpet knife

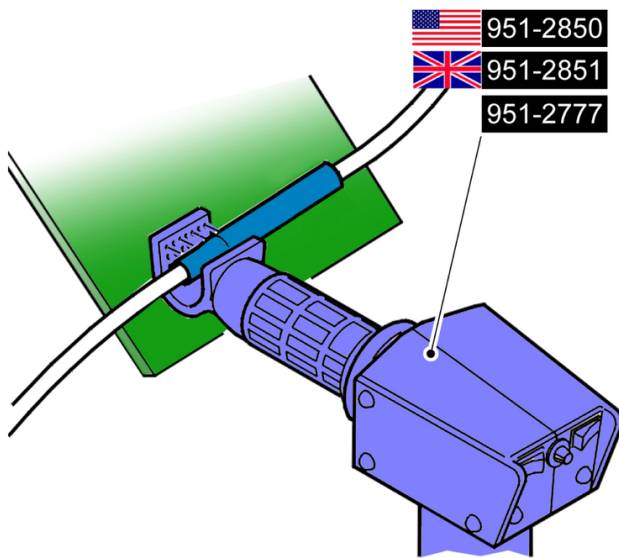
Use: Splice , 32473015

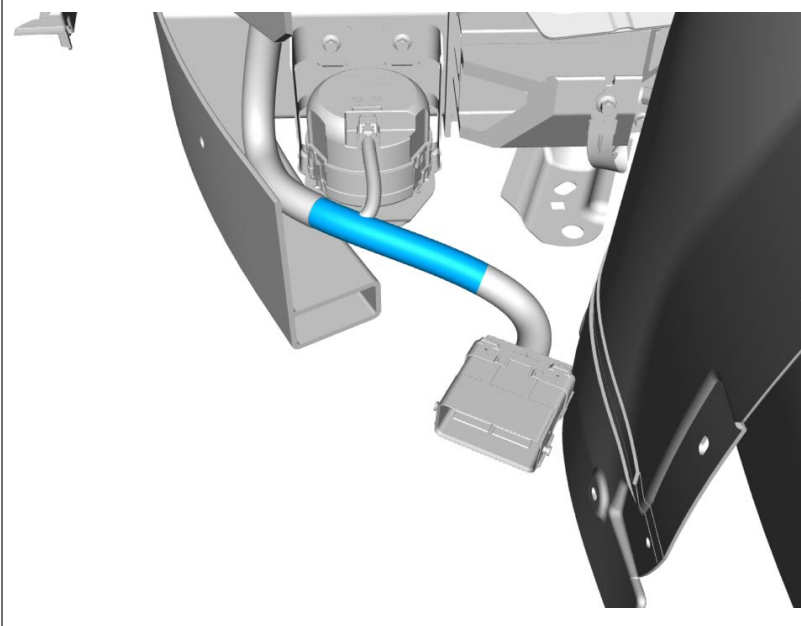
Use: Splice , 32473016

Note! Make sure to follow the sequence indicated.



Special Tool: T9512850, Hot air gun (110 V US)
Special Tool: T9512851, Hot-air gun (220V UK)
Special Tool: T9512777, Hot-air gun





Use: Electrical tape ,

Reinstall the removed parts in reverse order.