

Safety Recall

Mack Trucks Inc.
Greensboro, NC USA



Date	Number	Release	Page
06.2025	SC0478	01	1(6)

MMD Bench Seat Center Seat Belt Incorrect Routing MD6, MD7

RECALL INFORMATION

(June 2025)

Mack Trucks has determined that certain model year 2026 Mack Medium Duty (“MMD”) vehicles could have been manufactured with seatbelts where the belt routing is incorrect on the tongue (latch plate) assembly. This would prevent the seat belt from performing correctly.

In the event of a crash, the incorrectly routed seatbelt would not perform as designed and this could increase the risk of an injury.

To ensure that these vehicles meet Mack’s stringent quality requirements, the seatbelt assembly will be inspected for proper routing and replaced as necessary.

VEHICLES AFFECTED

Certain Mack MD6 and MD7 vehicles manufactured between March 11, 2025, through April 8, 2025.

VEHICLE QUANTITY

There are 42 vehicles affected by this recall (42 U.S.)

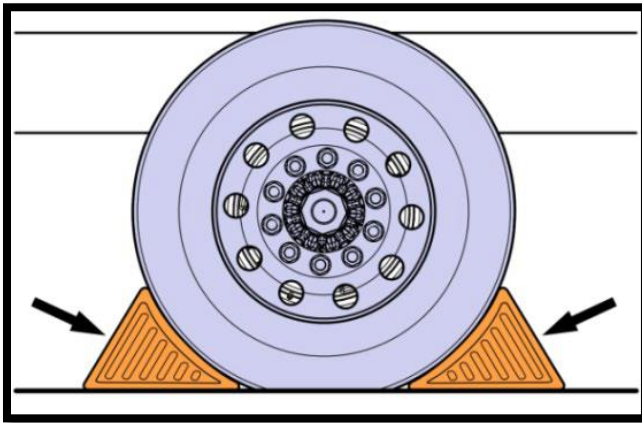
Parts

Order parts through normal process.

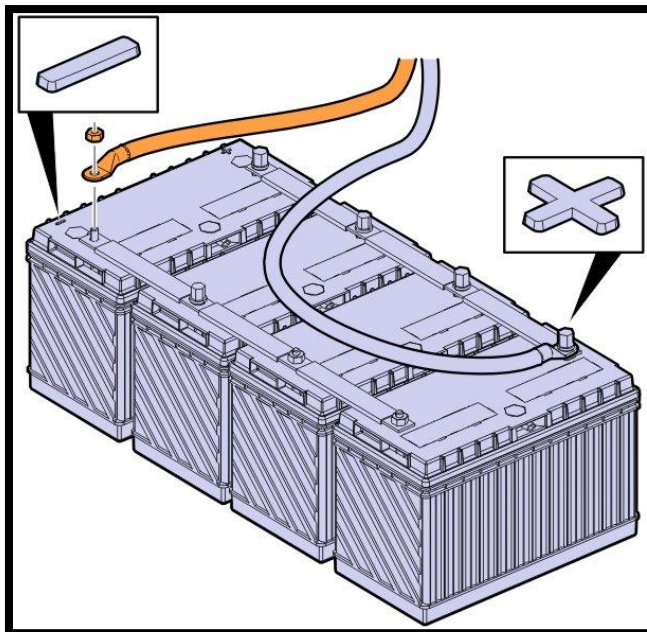
Part Number	Part description	Quantity
24120542	Seat Belt; Black	1
984757	M10x60 Flanged Screw; Silver	1

Repair Instructions

1. Secure vehicle for service by parking on a level surface.
2. Apply parking brake.
3. Place the transmission in neutral or park.
4. Install wheel chocks.



5. Disconnect the cable from the negative terminal.



6. Locate and inspect the seatbelt for proper routing. If routing is **correct**, release truck for service. If routing is **incorrect**, proceed to step 7.

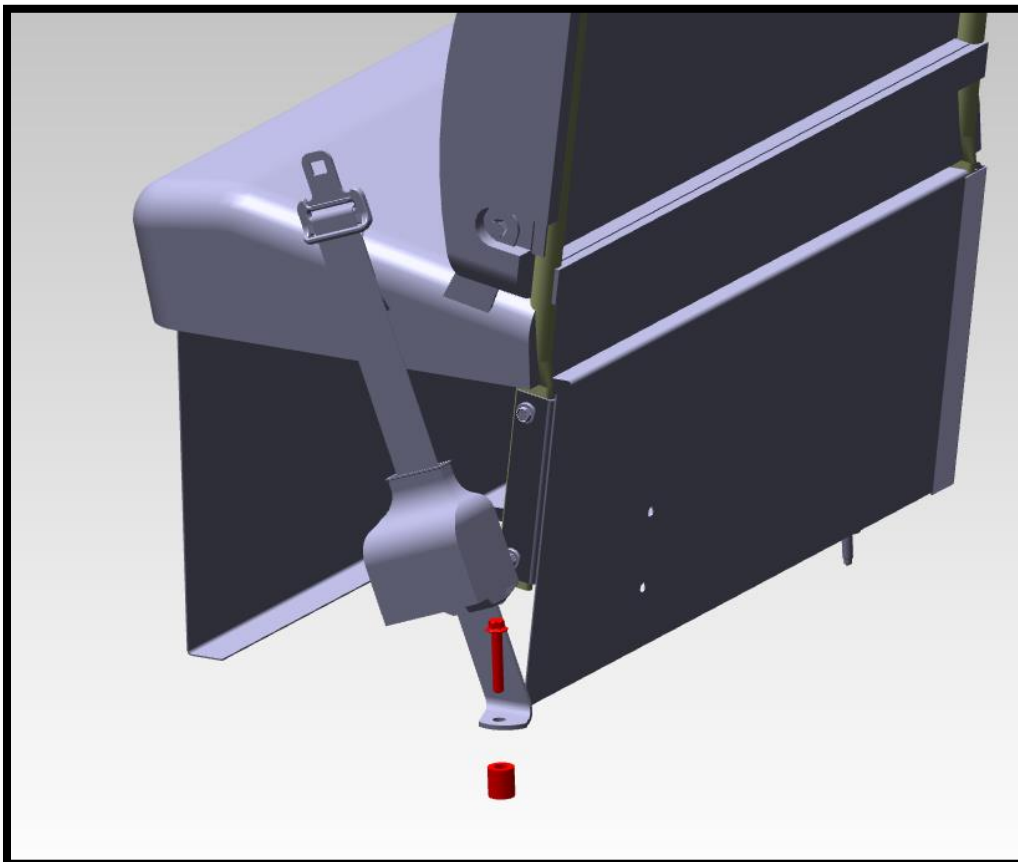


Correct routing

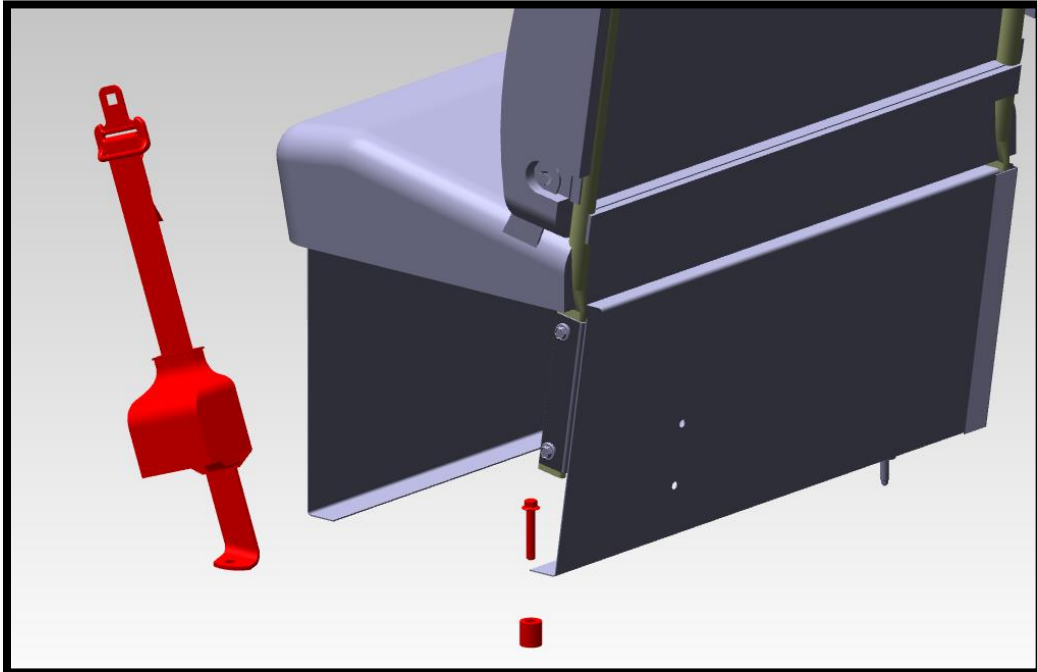


Incorrect routing

7. Remove the M10x60 flanged screw, washer, and spacer. **Discard flanged bolt only.** The spacer and washer will be reused during installation of the new seat belt assembly.

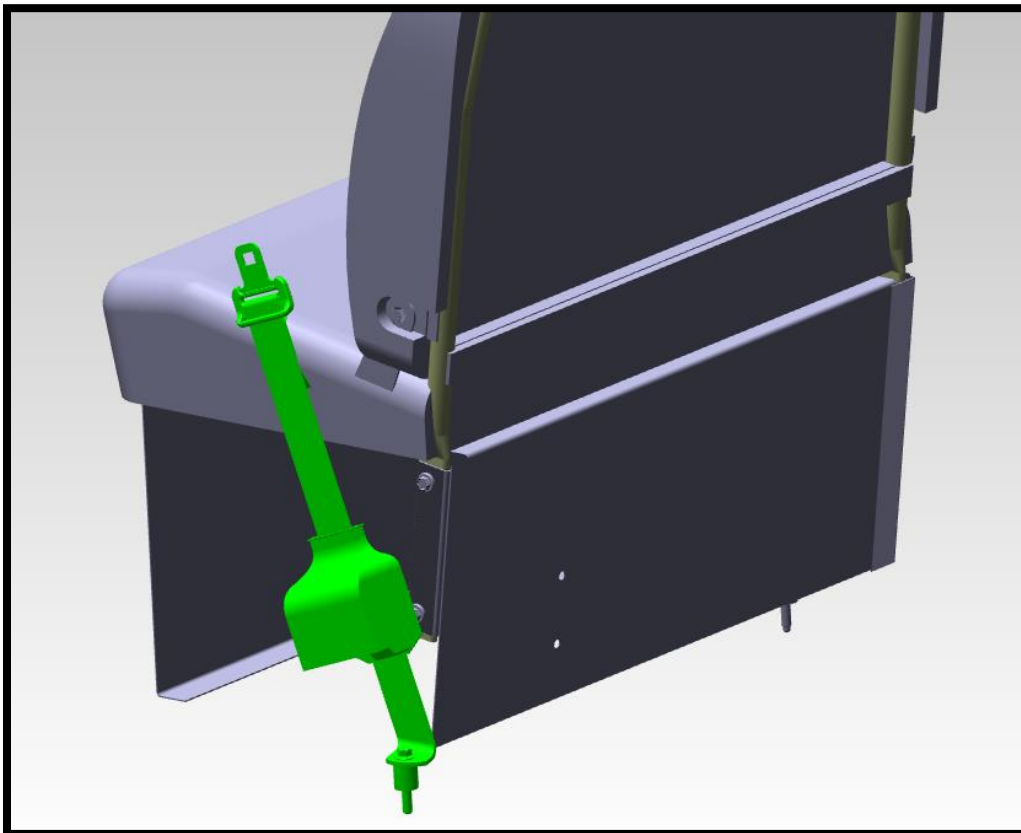


8. Remove seat belt assembly and discard.

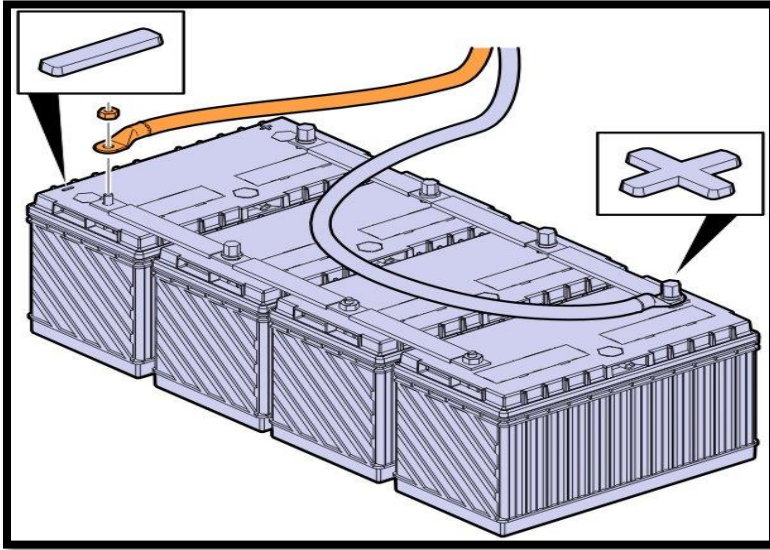


9. Install new seat belt assembly (PN: 24120542) and new M10x60 flanged screw (PN: 984757).

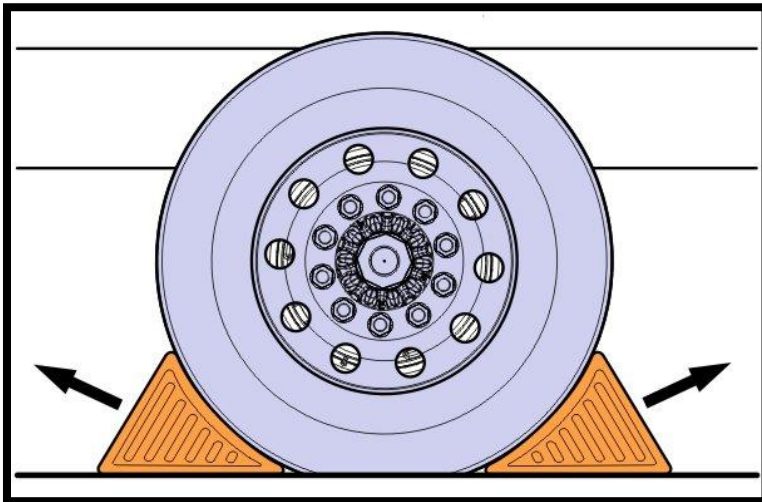
Flanged Screw Tightening Torque
$60 \pm 10 \text{ Nm}$ ($44 \pm 7 \text{ ft-lb}$)



10. Connect the cable to the negative terminal.



11. Remove the wheel chocks.



12. Release the vehicle to service.

REIMBURSEMENT

This repair is covered by an authorized Safety recall. Reimbursement is obtained through the normal claim handling process.	
	UCHP Reimbursement
Claim Type (used only when uploading from the Dealer Business System)	40
Recall Status	
Vehicle repaired per instructions	1-Modified per instructions
Labor Codes	
1720-16-09-01 Campaign, General x 3 (Inspect and/or Replace)	0.3
Causal Part	24120542
Authorization Number	C0463

Note: Dealers or the designated representatives are required to perform Safety Recall on all subject vehicles at no charge to the vehicle owner regardless of mileage, age of vehicle or ownership (original purchaser or subsequent purchasers). Whenever vehicles that are subject to a Safety Recall are brought to your dealership for service, it is strongly recommended that every effort be made to perform the recall correction before the vehicle is released to the owner.