

SAFETY RECALL

Volvo Trucks North America

Greensboro, NC USA

VOLVO

Date	Number	Release	Page
06.2025	RVXX2505	01	1 (11)

Improper Power Cable Routing VN

RECALL INFORMATION

(June 2025)

Certain Volvo Heavy Duty vehicles may have been built with a specific arrangement of power cables where the 12-volt positive can encounter the 48-volt negative terminal and potentially cause chaffing and or then short.

If the battery cables rub on the terminal there is the risk of an electrical short which may disable power to the engine or create the risk of fire.

The power cables will be re-routed to ensure proper clearance and routing between the cables.

VEHICLES AFFECTED

Certain Volvo North America vehicles manufactured between March 04, 2024, and April 21, 2025.

VEHICLE QUANTITY

There are 228 vehicles affected by this recall (All U.S.).

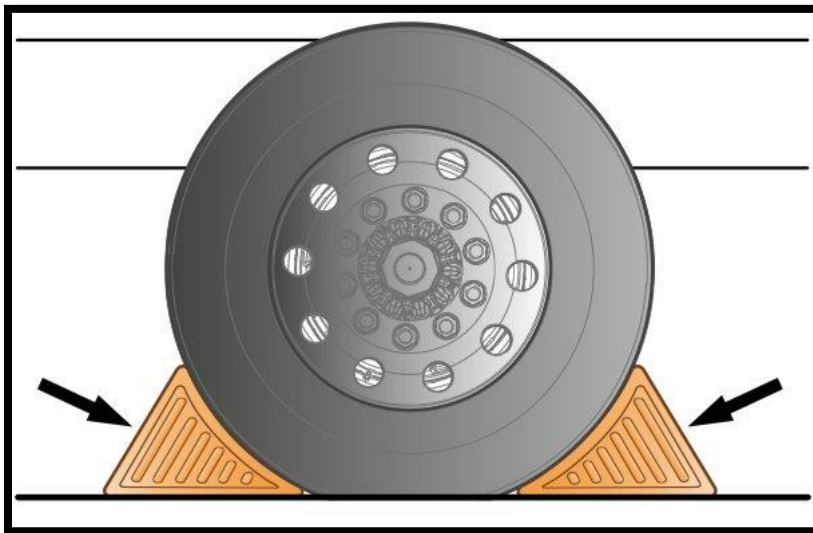
Parts

Order parts through normal process.

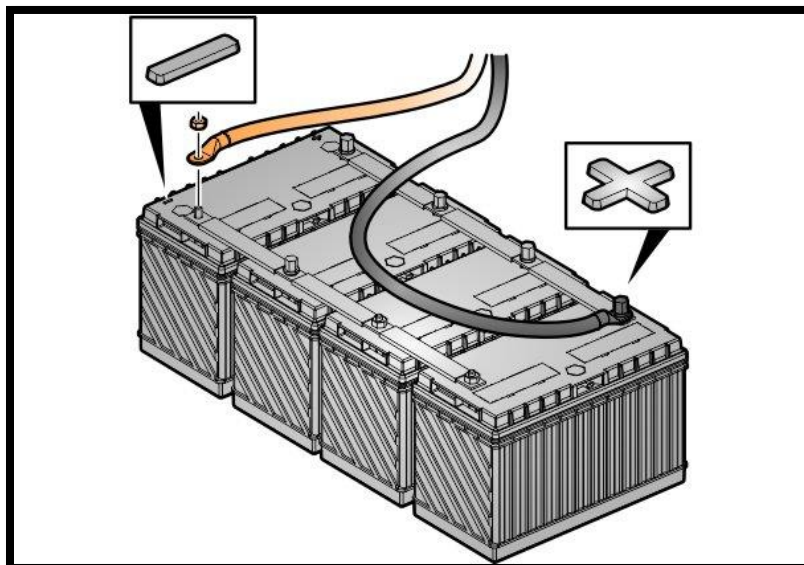
Part Number	Part description	Quantity
20395795	Cable Ties	5
21400204	Retainer	2
984726	M6 Flange Screw	2
980464	Cable Ties	2
990949	Flange Nut	2

Repair Instructions

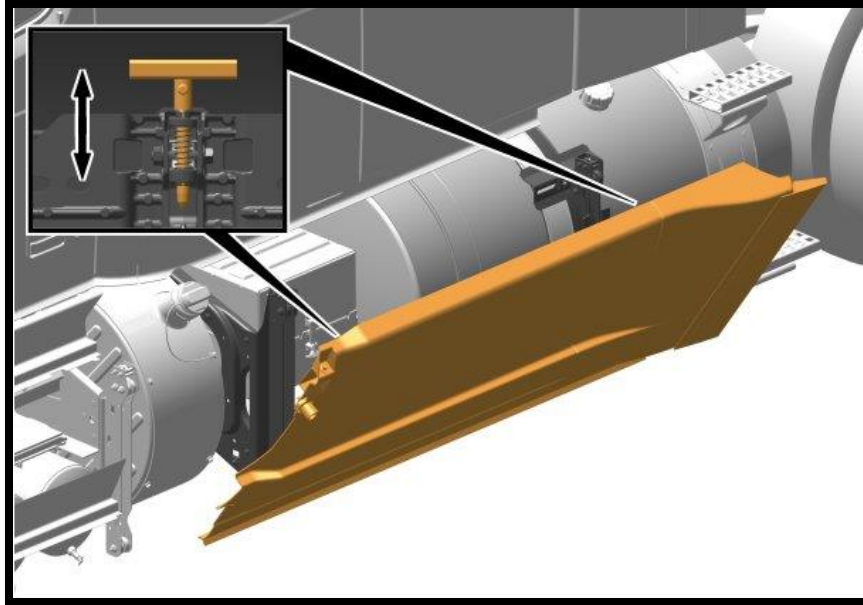
1. Park the vehicle on a level surface.
2. Apply the parking brake.
3. Place vehicle in park or neutral.
4. Install the wheel chocks.



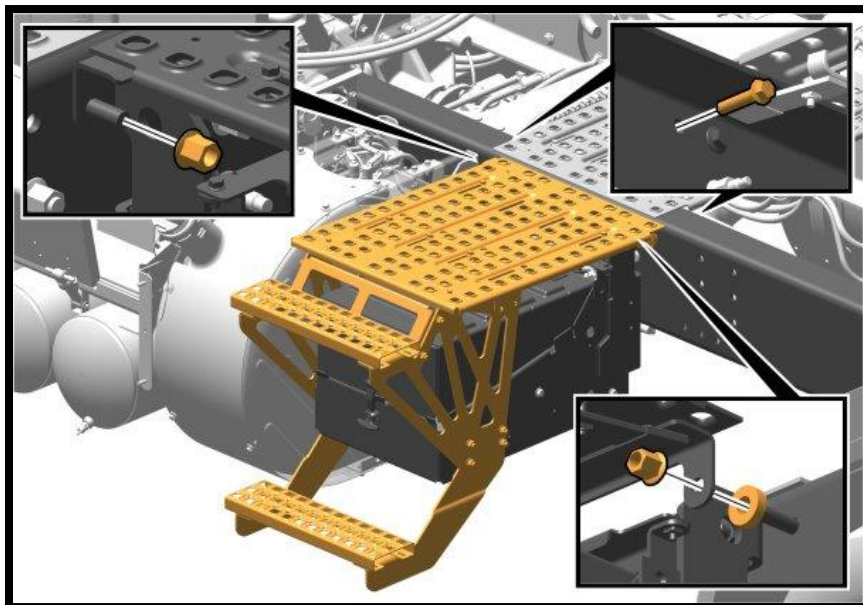
5. Disconnect the cable from the negative terminal at the truck batteries.



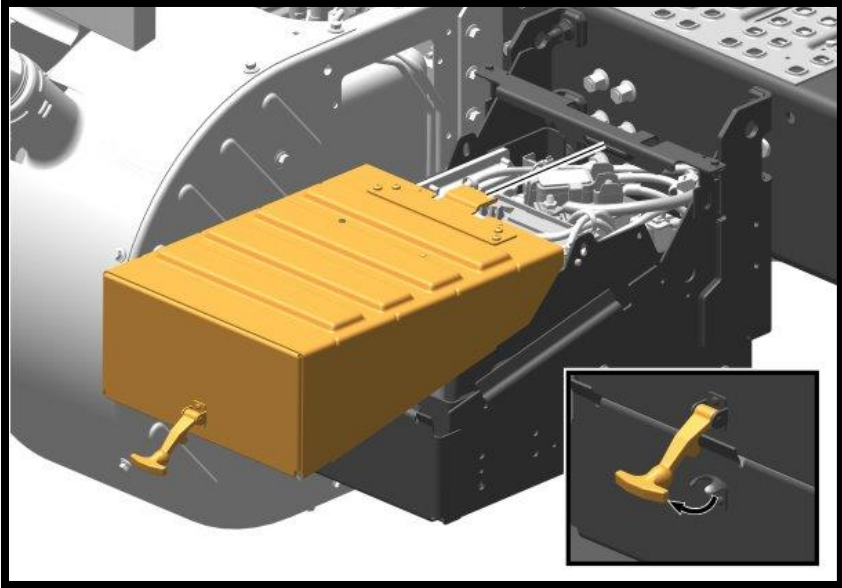
6. Unlatch and raise the hood.
7. Depending on the trucks configuration you will need to complete one of the two steps below
 - a. Release locks and remove fairing.



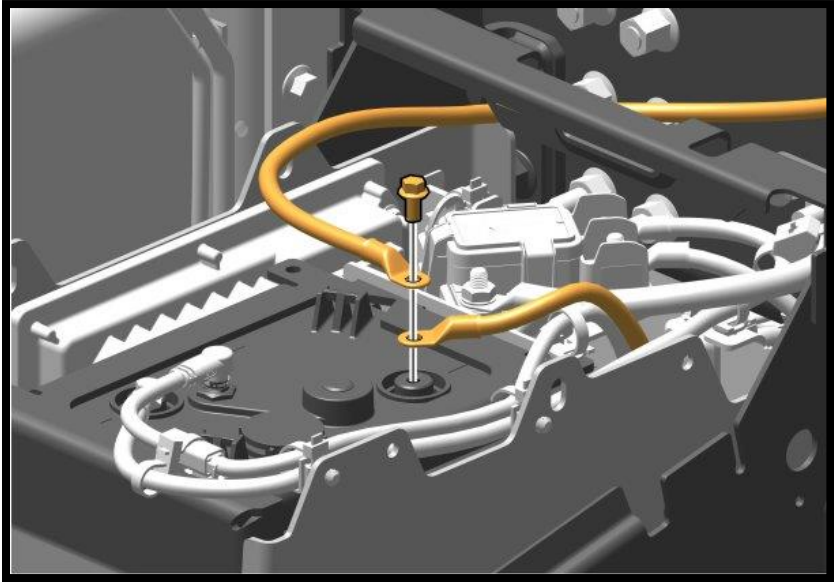
- b. Remove the step assembly hardware and remove the step assembly.



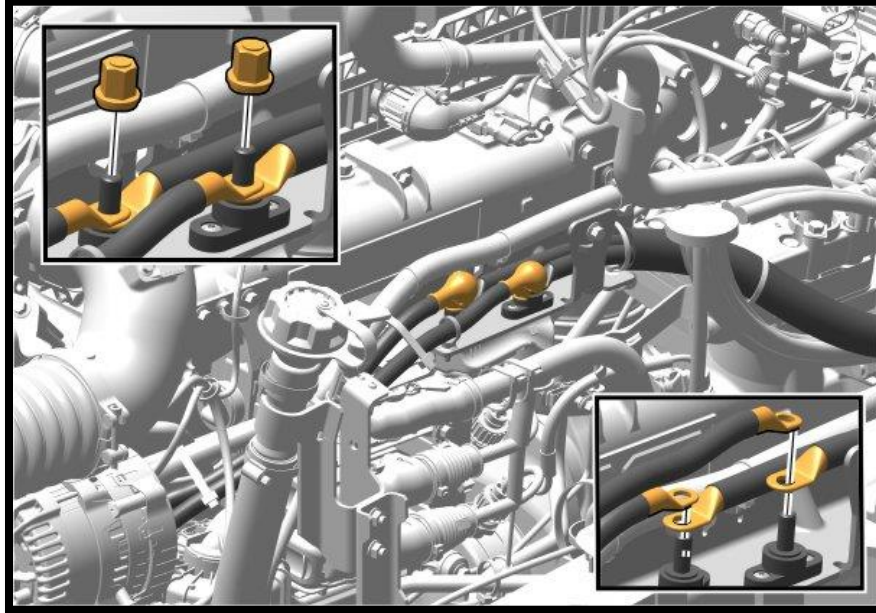
- 8. Unlock the latch.
- 9. Remove the cover.



- 10. Remove the screw.
- 11. Remove the battery negative cables from the 48-volt battery.



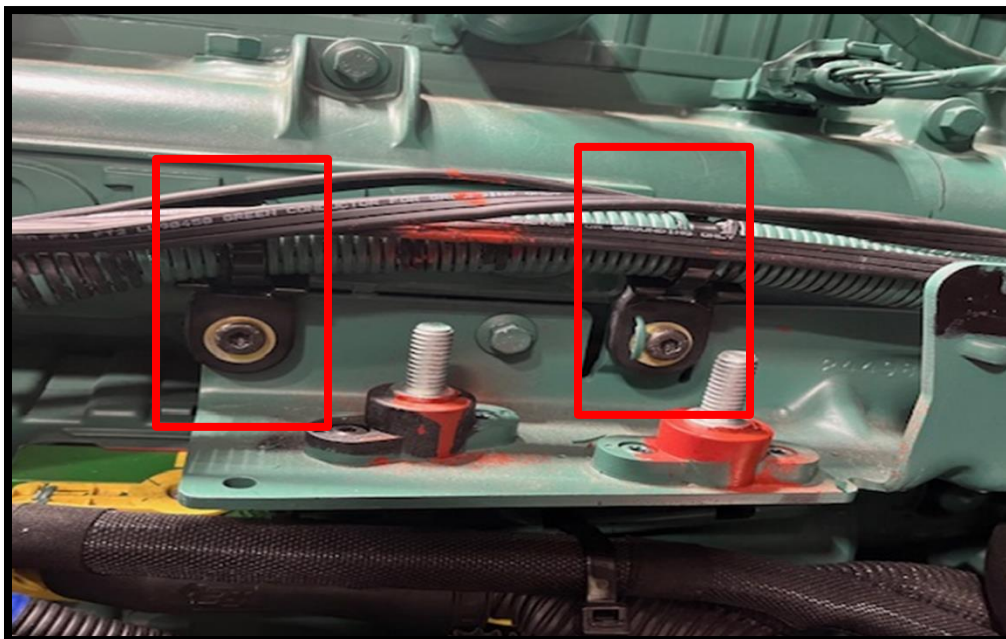
12. Remove the terminals covers.
13. Remove the nuts.
14. Remove the cables.



15. Install the Zip-Tie saddle (P/N 21400204), M6 Flange Screw (P/N 984726), and Flange Nut (P/N 990949) in the locations pictured below.
16. Install Zip-Ties (P/N 980464) and secure the cables and wiring that run above the power and ground terminals.

Important Note

Ensure all cables and wiring above the terminals are secure and that no contact with the terminals is possible.



17. Ensure the terminals and cable mating surfaces are clean.

18. Install the cables.

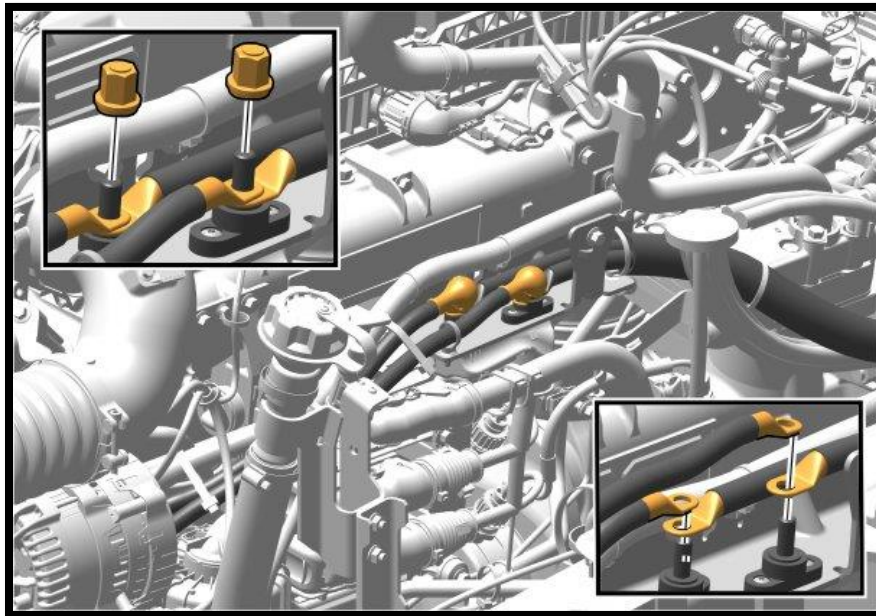
19. Install and torque the nuts.

Tightening torque	
Cable terminal, nut	15 ±1 Nm (11 ±1 lb _r -ft)

Important Note

When torquing the cables, ensure they do not twist or rotate into each other, as this may cause contact with the opposing terminal. Verify that there is adequate spacing between the cables and opposing terminals to prevent accidental contact or electrical faults.

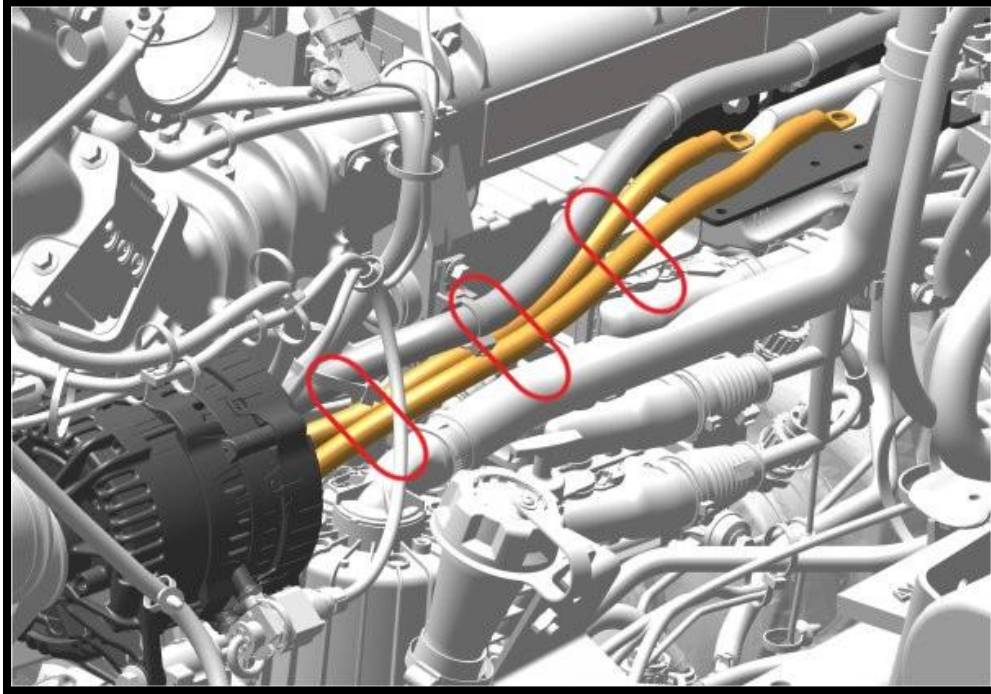
20. Install the terminals covers. Please ensure that the cover is fully seated.



21. Install double headed zip ties (P/N-20395795) in the locations pictured below.

Important Note

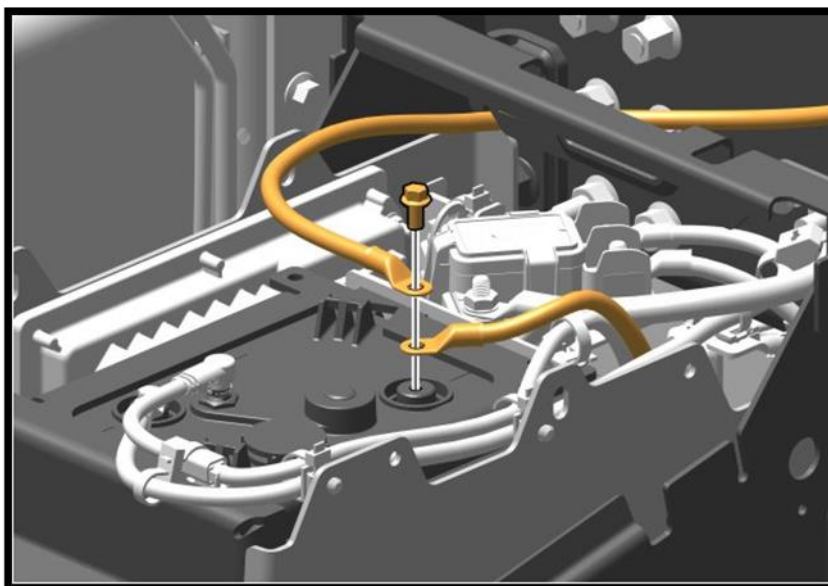
Ensure there is sufficient spacing between opposing cables, that all cables are securely fastened, and that they do not come into contact with any components that could cause damage to the cables.



22. Install negative cable at the 48-volt battery.

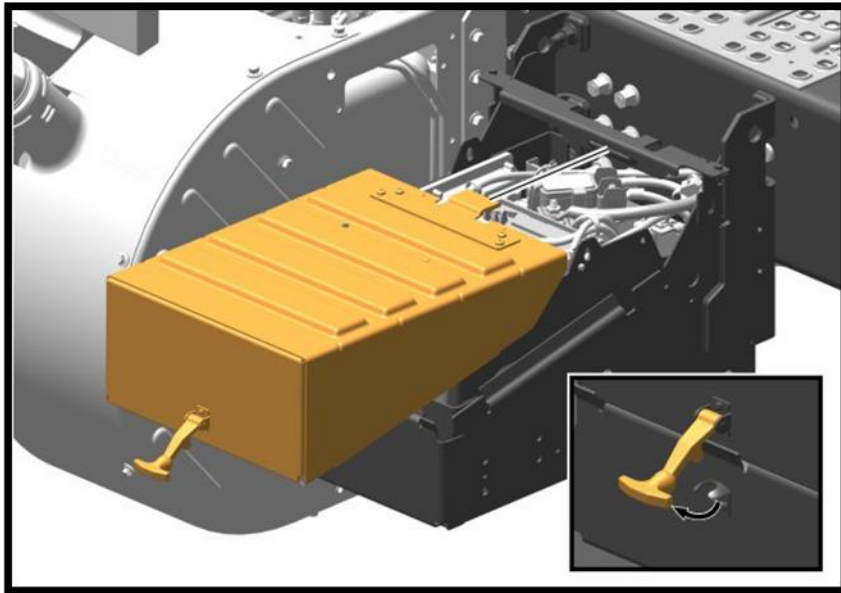
23. Install and torque screw.

Tightening torque	
Battery, terminal, screw	8 ±1 Nm (6 ±1 lb _r -ft)



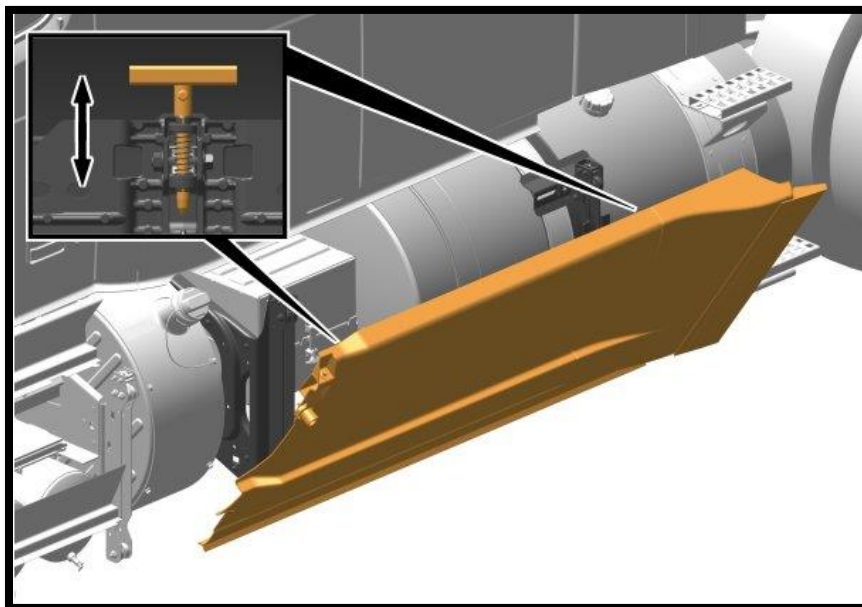
24. Install the cover.

25. Lock the latch.

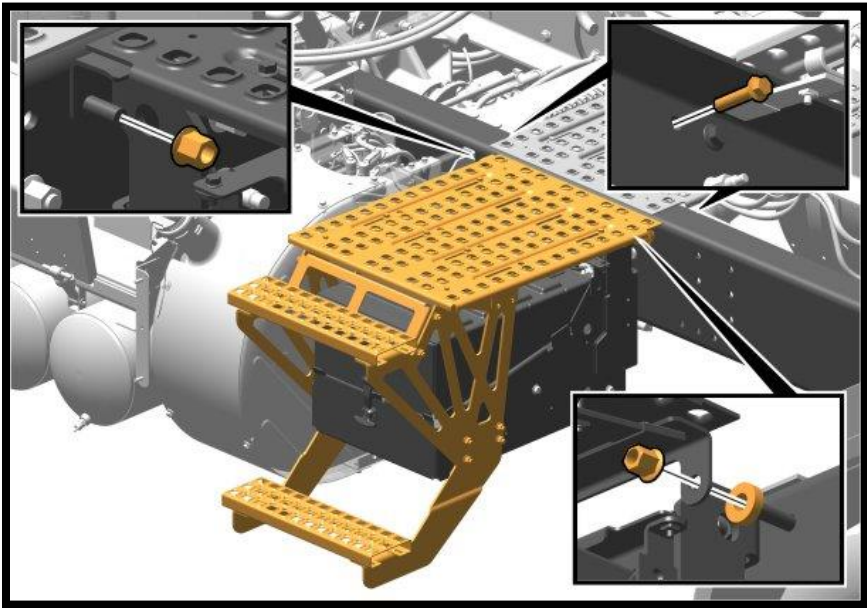


26. Depending on the trucks configuration you will need to complete one of the two steps below

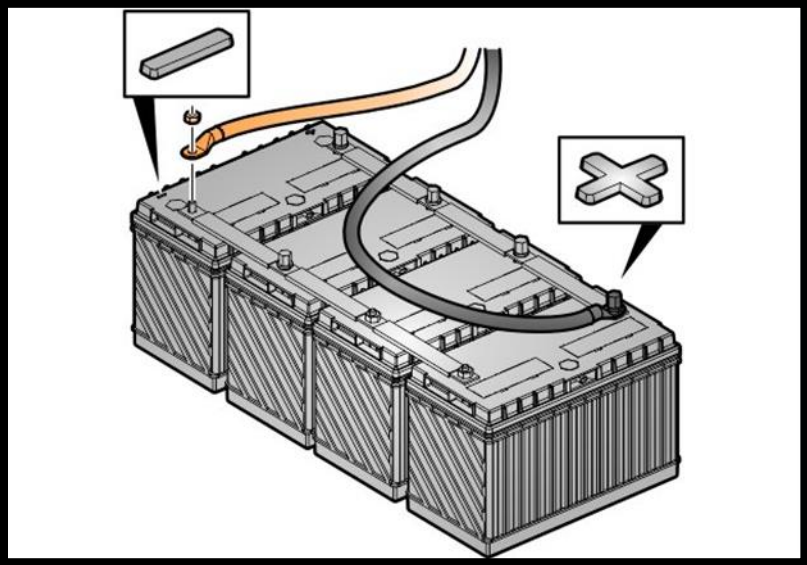
a. Install fairing and secure lock.



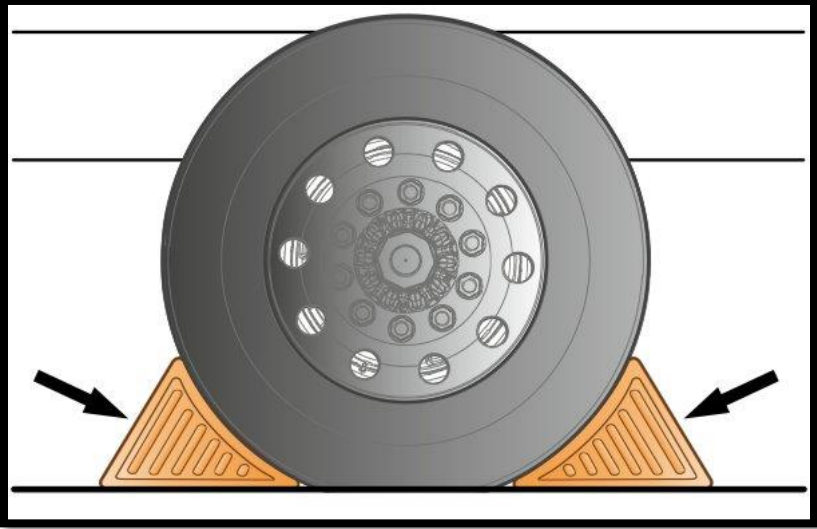
b. Install step assembly and step assembly hardware. Tighten all hardware.



27. Connect the cable to the negative terminal at the truck batteries.



- 28. Lower hood.
- 29. Remove wheel chocks.



- 30. Release the truck.

REIMBURSEMENT

This repair is covered by an authorized Safety Recall. Reimbursement is obtained through the normal claim handling process.	
	UCHP Reimbursement
Claim Type (used only when uploading from the Dealer Business System)	40
Recall Status	
Vehicle repaired per instructions	1-Modified per instructions
Labor Codes	
1720-16-09-01 Campaign General (0.1x5)	0.5
Causal Part	24800794
Authorization Number	C0464

Note: Dealers are to perform Safety Recall Campaigns on all subject vehicles at no charge to the vehicle owner regardless of mileage, age of vehicle or ownership (original purchaser or subsequent purchasers). Whenever vehicles are subject to a Safety Recall are brought to your dealership for service, it is strongly recommended that every effort be made to perform the recall correction before the vehicle released to the owner.