

SAFETY PRECAUTIONS

- Eye protection should always be worn when working in a shop.
- Rules for Personal Protection Equipment should always be respected. Wear your PPE including but not limited to the following:



Safety First!



PROCEDURE



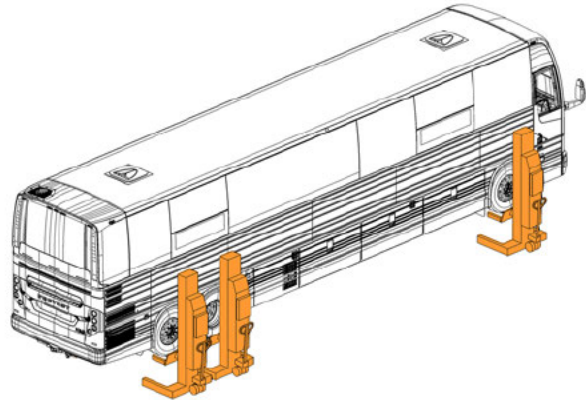
DANGER

Park vehicle safely, apply parking brake, stop the engine. Prior to working on the vehicle, set the ignition switch to the OFF position and trip the main circuit breakers equipped with a trip button. On Commuter type vehicles, set the battery master switch (master cut-out) to the OFF position.

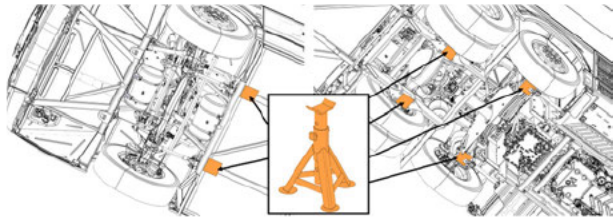
Lockout & Tag out (LOTO) must be performed during set-up, maintenance or repair activities. Refer to your local procedure for detailed information regarding the control of hazardous energy.

RETORQUE IFS LOWER CONTROL ARM BOLTS

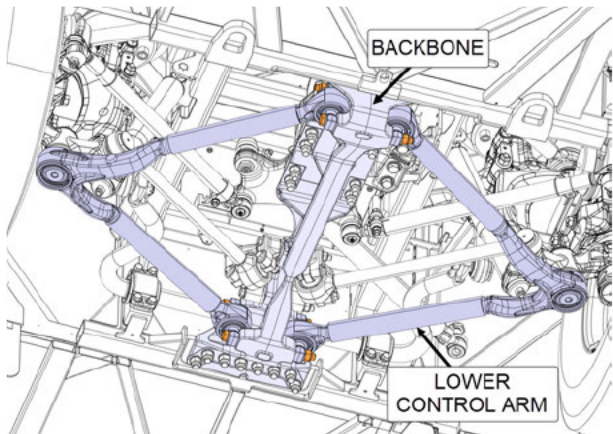
1. Insert the lifting equipment (always use six (6) lifting equipment; two (2) per axle with VIP).
2. When columns have been inserted under the wheels, we recommend releasing the parking brake to allow the wheels to turn freely during the lift, to avoid stressing the wheel seals on the drive axle.
3. Lift the vehicle.



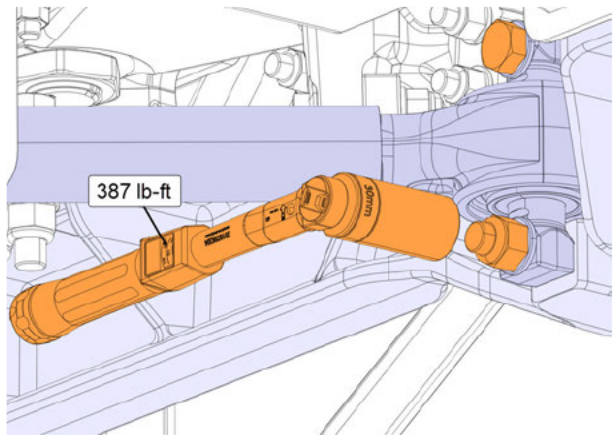
4. Secure the vehicle with six (6) jack stands.
Refer to maintenance information MI18-18 for the jack stand capacity and location on the vehicle.



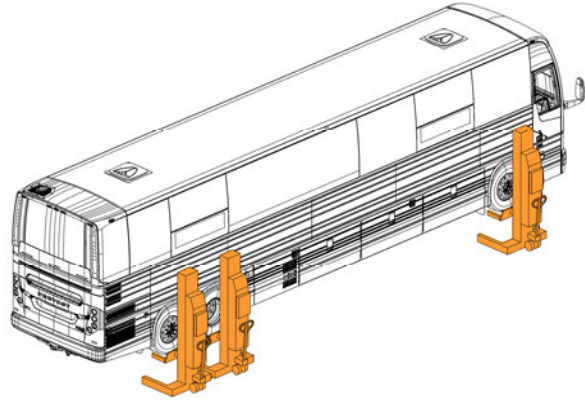
5. Locate the four bolts securing the lower control arms of the front suspension to the backbone.



6. Torque each bolt to **387 lb-ft**.
7. Apply red torque seal mark.



8. Remove the six (6) jack stands.
9. Lower the vehicle.
10. Apply parking brake.
11. Remove the lifting equipment.



PARTS DISPOSITION

Discard waste according to applicable environmental regulations (Municipal/State[Prov.]/ Federal)

WARRANTY

This modification is covered by Prevost's normal warranty. We will reimburse you 1.0 hour of labor upon receipt of a completed A.F.A. Please submit claim via our Online Warranty System, available at www.prevostcar.com (under service \ warranty section).

- Use Claim Type: "Bulletin/Recall" and select "Safety Recall SR25-13A ".

Should you only wish to close the safety recall (without reimbursement), fill-in the "Safety Recall Certification Sheet" provided with this bulletin and return it to our warranty department by Email at prevost.warranty@volvo.com or by fax at 418-831-9301.

OTHER

VBC Bulletin	N/A
Fail Code	16.07
Defect Code	09
Syst.Cond	R
Causal Part	24666089

Access all our Service Bulletins on <http://techpub.prevostcar.com/en/> or scan the QR-Code with your smart phone.
E-mail us at prevost.techpub@volvo.com and type "ADD" in the subject to receive our warranty bulletins by e-mail.



