

Authored Date	25/03/2025	
Doc No.	IARCM004189v2	
Title	Door Button Mechanism - Replace	
Affected Vehicle(s)	Grenadier	PF000185 – PF009914 RF004674 – RF019907
Prior to starting any reworks, please make sure you check the vehicle is affected by checking the VIN using Vehicle Simple Search in the Warranty System.		

Reason for this document

Issue: An issue has been identified on affected vehicles where the door button can become stuck in the depressed position.

Cause: This is due to incorrect operation of the mechanism and/or insufficient greasing of the mechanism.

Action: Follow the procedure below.

Workshop Procedure

Warnings

In completing and claiming for the campaign work, the claimant confirms and acknowledges that: (i) destruction of the original keys has been completed in accordance with campaign requirements and (ii) in the event that any vehicle owner makes any claim against INEOS or any INEOS affiliate which arises as a result of, or in connection with, the failure of the claimant to destroy any key as required by this campaign, the claimant will fully and completely indemnify and hold INEOS and its affiliates harmless against such claims.



Please record the key number on the job card for the warranty personnel. The warranty personnel will need to add this information to the warranty claim

Please ensure the customer keeps the key label for future references.

Door Button Mechanism and keyset - Replace

Operation:	Repair Time:
Replace all Door/tailgate button mechanisms	3.4

Parts

Part Number	Description	Drive	Quantity
GRA-9K41-036730	Lockset Station Wagon	LHD	1
GRA-9K41-036740	Lockset Station Wagon	RHD	1
GRA-9K41-036750	Lockset Quartermaster	LHD	1
GRA-9K41-036760	Lockset Quartermaster	RHD	1
GRA-8B12-036690	Door Latch Button (Front Left and Rear Left)	N/A	1 for LHD vehicles 2 for RHD vehicles
GRA-8C11-036700	Door Latch Button (Front Right and Rear Right)	N/A	2 for LHD vehicles 1 for RHD vehicles
GRA-8F02-036720	Split Door Latch Button	N/A	1



Note:

- The procedure contains illustrations showing certain components removed to provide extra clarity.
- This procedure contains some variation in the illustrations depending on the vehicle specification, but the essential information is always correct.

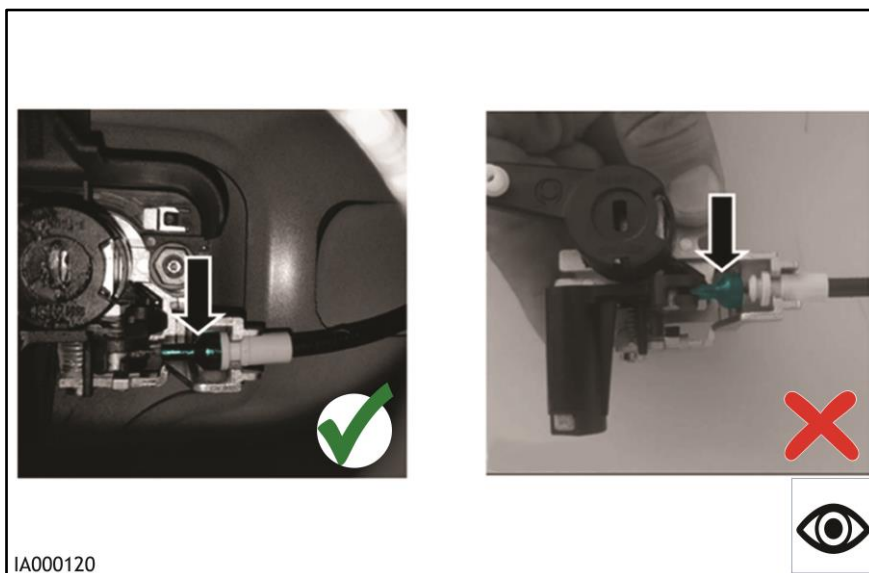
Warnings

- When installing the new side door latch button, check for the position of the QR code. If the position is the same as the image below, this is the correct version to be installed.
- IMPORTANT NOTICE: if the QR code is not located on the part as shown below (laser etched), the part is NOT the correct version and should not be installed.



Cautions

During the removal and installation of the door button, check the fitment of the end cap on the bowden cable. If the end cap is not securely fitted on the bowden cable, then re-install the end cap.



Replace all door buttons – All Vehicles

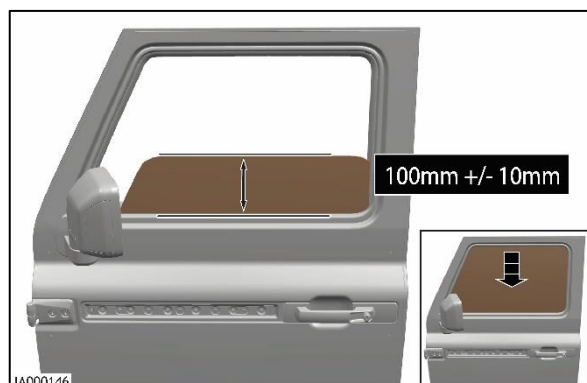
1.

Open all 4 side doors.



2.

Lower all windows to 100mm +/- 10mm above the lower edge of the window frame.



3.

Note:
Vehicles that are the 2-seater variant only

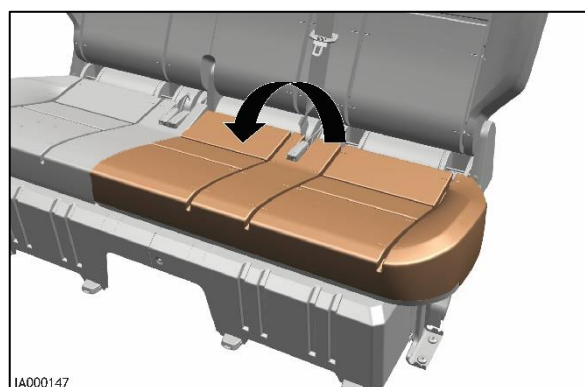
- Turn the 2 locks, 90° anti-clockwise
- Open the loadspace floor.



4.

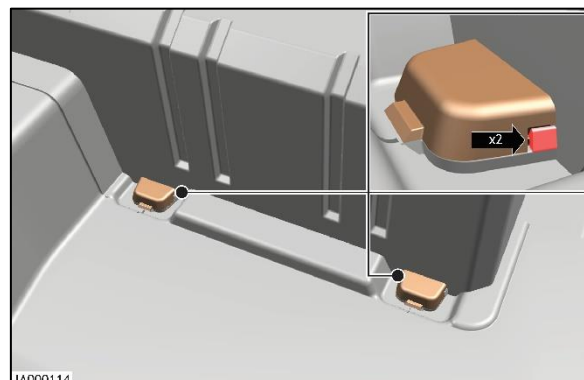
Note:
Vehicles that are the 5-seater variant only

Open the rear left bench seat.



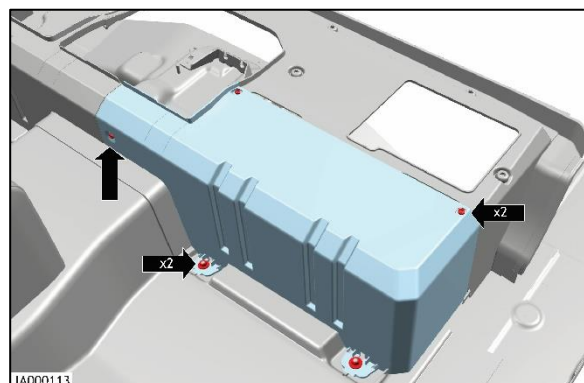
5.

Open the 2 covers on the rear left underseat cover.



6.

- Remove the 3 bolts.
- Remove the 2 nuts.
- Remove the rear left underseat cover.



7.

Warnings

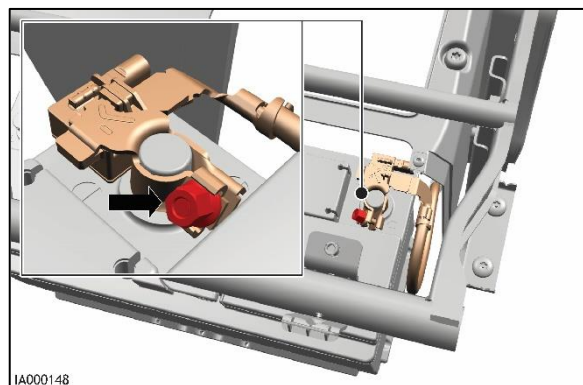
- Do not let the tools touch the Seat-Frame when you disconnect the Terminal Clamps. If the tools touch the Seat-Frame, it can cause a short-circuit. This can cause personal injury and damage to the vehicle.

- Always disconnect the Battery Negative Terminal first. If you do not, there is a risk of a short-circuit. This can cause personal injury and damage to the vehicle.

Note:

All vehicles.

- Loosen the nut that attaches the Battery Negative-Terminal Clamp to the Battery Negative Post.
- Release the Battery Negative-Terminal Clamp from the Battery Negative Post.



8.

Note:

Make sure that all bare metal surfaces on the Battery Negative Terminal-Clamp are insulated to prevent electrical contact with the adjacent components.

Apply insulation-tape to the Battery Negative-Terminal Clamp.

9.

Install an insulative cover to the Battery Negative Post.

10.

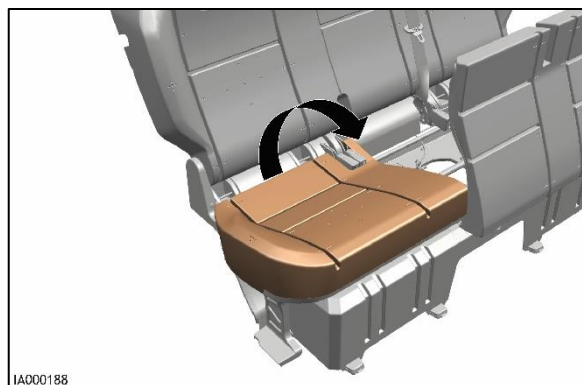
If the vehicle is not fitted with the auxiliary battery proceed to **step 17**

If the vehicle is fitted with the auxiliary battery proceed to the **next step**.

11.

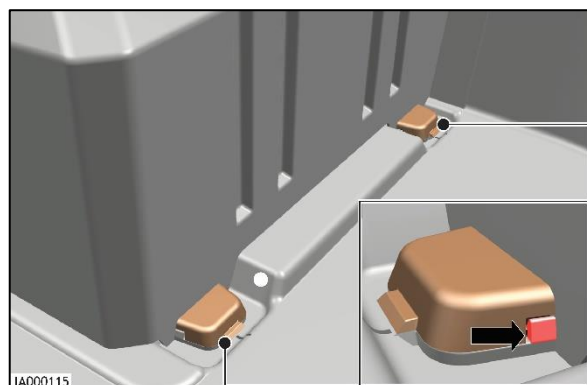
Note:
Vehicles that are the 5-seater variant only

Open the rear right bench seat.



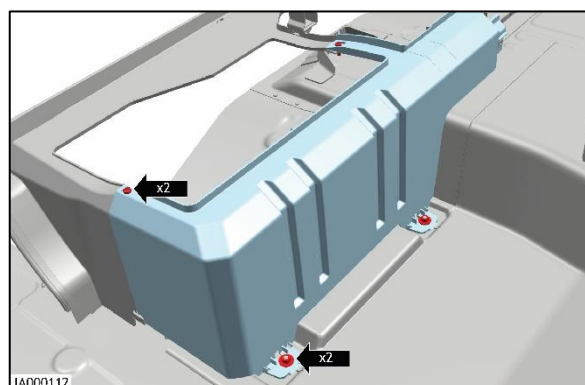
12.

Open the 2 covers on the rear right underseat cover.



13.

- Remove the 2 bolts.
- Remove the 2 nuts.
- Remove the rear right underseat cover.



14.

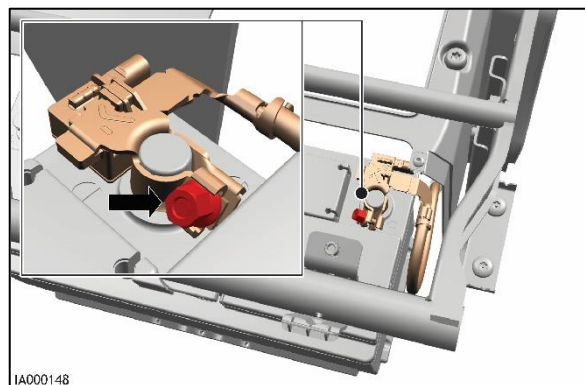
Warnings

- Do not let the tools touch the Seat-Frame when you disconnect the Terminal Clamps. If the tools touch the Seat-Frame, it can cause a short-circuit. This can cause personal injury and damage to the vehicle.
- Always disconnect the Battery Negative Terminal first. If you do not, there is a risk of a short-circuit. This can cause personal injury and damage to the vehicle.

Note:

All vehicles.

- Loosen the nut that attaches the Auxiliary Battery Negative-Terminal Clamp to the Auxiliary Battery Negative Post.
- Release the Auxiliary Battery Negative-Terminal Clamp from the Auxiliary Battery Negative Post.



15.

Note:
Make sure that all bare metal surfaces on the Battery Negative Terminal-Clamp are insulated to prevent electrical contact with the adjacent components.

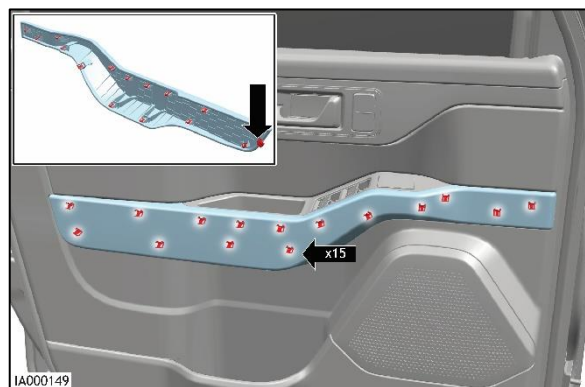
Apply insulation-tape to the Auxiliary Battery Negative-Terminal Clamp.

16.

Install an insulative cover to the Auxiliary Battery Negative Post.

17.

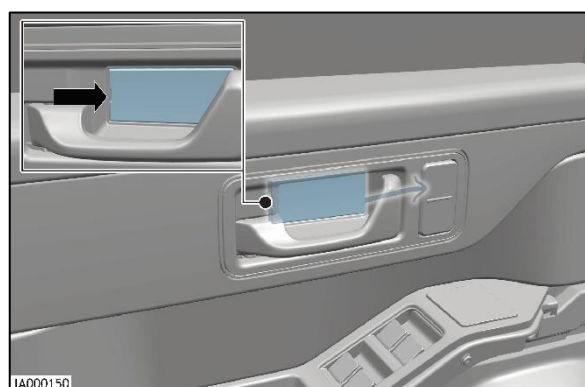
- Release the 15 clips that attach the front left door armrest finisher to the front left door card.
- Release the clip.
- Remove the front left door armrest finisher.



18.

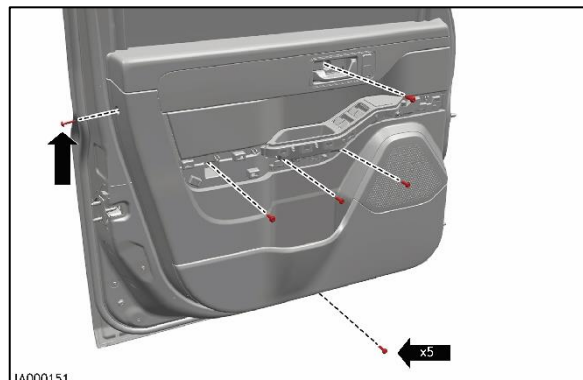
Cautions
Take extra care to not damage the component or the surrounding components.

Release the cover from behind the front left interior door handle.



19.

- Remove the 5 bolts from the front left door card.
- Remove the screw from the front left door card.

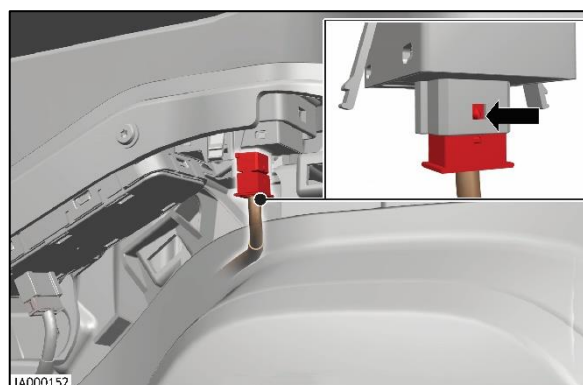


20.

Note:

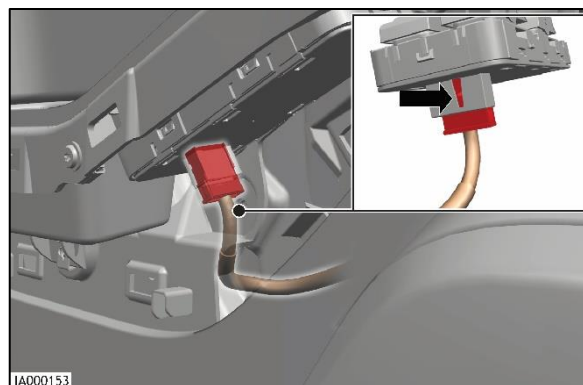
Left Hand Drive Vehicles only

Disconnect the electrical connector from the mirror controls.



21.

Disconnect the electrical connector from the window switch.

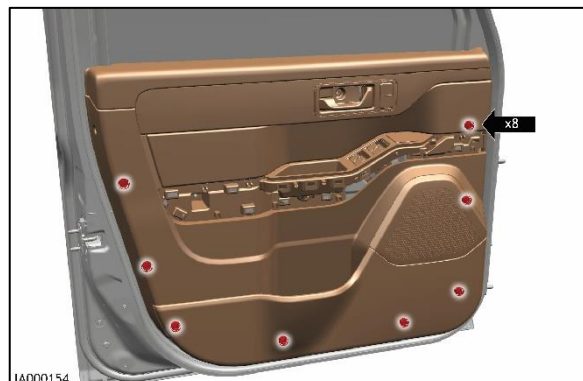


22.

Cautions

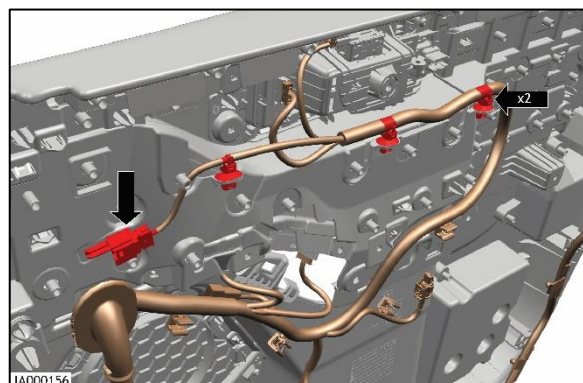
Do not remove the door card as this will damage any electrical connectors that are still attached to the door card.

Release the 8 clips from the front left door card.



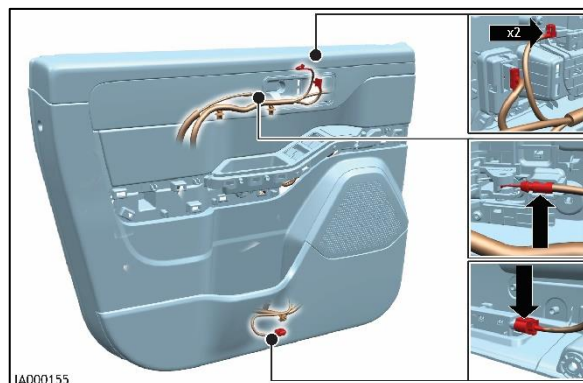
23.

- Release the 3 harness clips.
- Release the door mirror electrical connector clip.



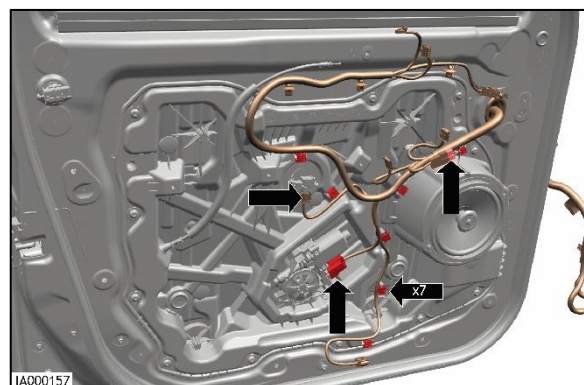
24.

- Disconnect the electrical connector for the interior door handle light.
- Disconnect the electrical connector from the door lock (LHD Drive only)
- Disconnect the Bowden cable from the interior door.
- Disconnect the electrical connector from the puddle light.
- Remove the door card.



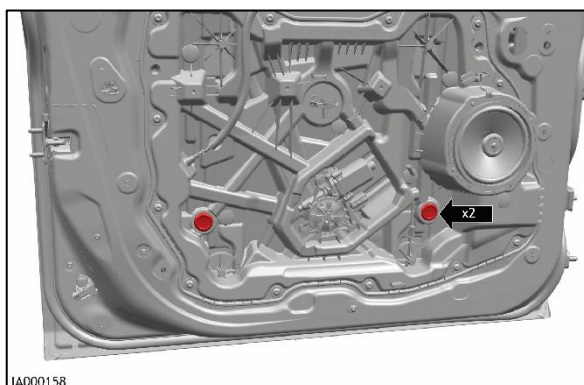
25.

- Release the 7 clips that attaches the wiring harness to the window regulator bracket.
- Disconnect the door pressure sensor electrical connector.
- Disconnect window motor electrical connector.
- Disconnect the door speaker electrical connector.



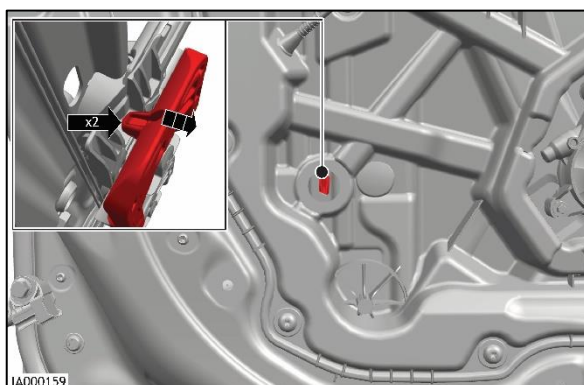
26.

Remove the 2 grommets from the window regulator mounting bracket.



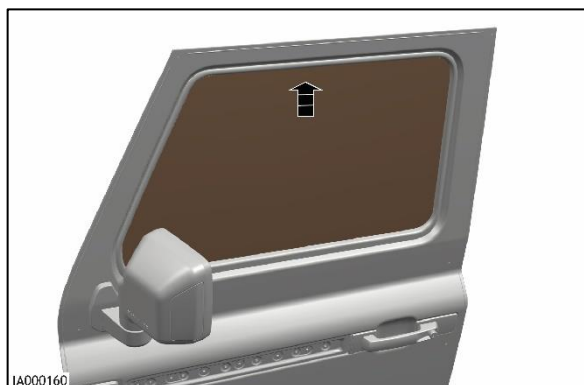
27.

Release the 2 clips for the window.



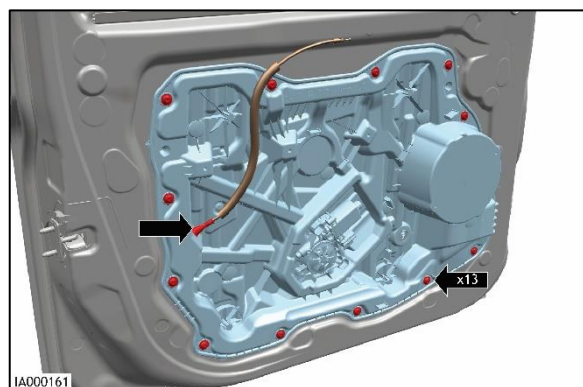
28.

- Move the window to the close position.
- Using suitable equipment, secure the window in position.



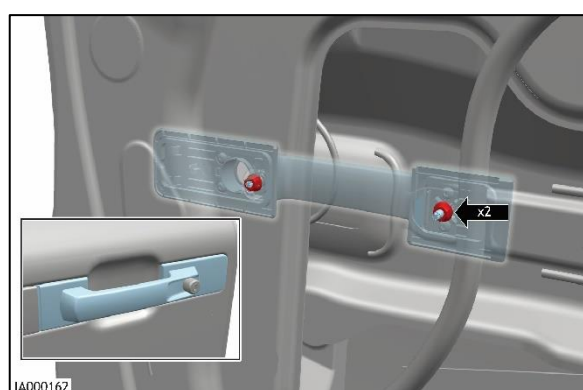
29.

- Remove the 13 bolts that attaches the window regulator bracket to the door.
- Release the window regulator bracket from the door.
- Release the grommet that attaches the Bowden cable to the window regulator.
- Remove the window regulator bracket.



30.

- Remove the 2 nuts that attaches the outer door handle to the door.
- Remove the outer door handle.

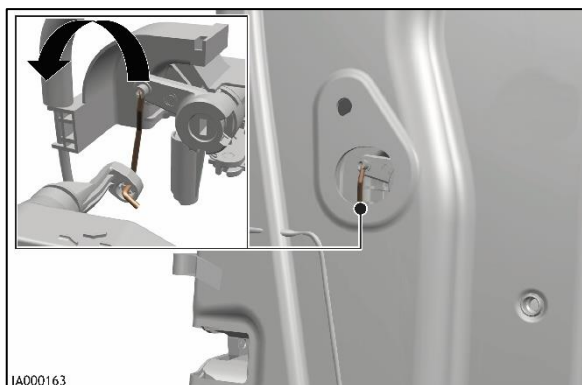


31.

Note:

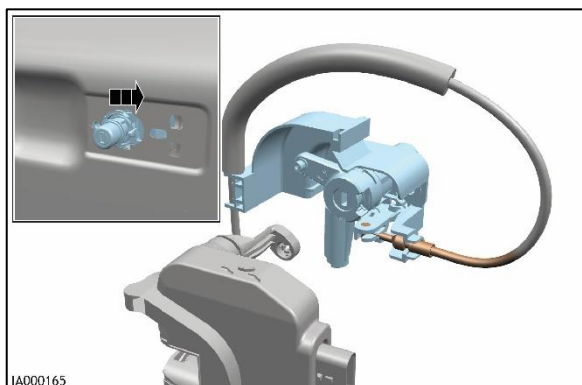
Left Hand Drive Vehicles only

Release the connecting rod from the door latch button.



32.

- Disconnect the Bowden cable from the door latch button.
- Remove the door latch button.



33.

- Install the new door latch button.

Parts: GRA-9K41-036730 – Lockset Station Wagon – LHD. Quantity: 1

GRA-9K41-036750 – Lockset Quartermaster – LHD. Quantity: 1

GRA-8B12-036690 – Door Latch Button - Front Left (RHD Only). Quantity: 1

- Install the Bowden cable to the door latch button.

34.

Cautions
Make sure the connecting rod is securely installed into the door latch button.

Note:
Left Hand Drive Vehicles only

Install the connecting rod to the door latch button.

35.

- Install the outer door handle
 - Install and tighten the 2 nuts that attaches the outer door handle to the door.
- Torque: 6 Nm**
-

36.

- Install the bowden cable in the window regulator bracket.
 - Reposition the grommet onto the window regulator.
 - Install the window regulator bracket.
 - Install and tighten the 13 bolts that attaches the window regulator bracket to the door.
- Torque: 6 Nm**
-

37.

- Release the window.
 - Install the window into the two clips.
-

38.

Install the 2 grommets to the window regulator mounting bracket.



39.

- Connect the electrical connector to the door speaker.
 - Connect the electrical connector to the window motor.
 - Connect the electrical connector to the door pressure sensor.
 - Install the 7 clips that attaches the wiring harness to the window regulator.
-

40.

- Install the door card.
 - Connect the electrical connector for the interior door handle light.
 - Connect the electrical connector from the door lock (LHD Drive only)
 - Connect the Bowden cable from the interior door.
 - Connect the electrical connector from the puddle light.
-

41.

- Install the 3 harness clips.
- Install the door mirror electrical connector clip.

42.

- Install the 8 clips on the door card to the door.
 - Install the front left door card.
-

43.

Note:
Left Hand Drive Vehicles only

Connect the electrical connector to the mirror controls.

44.

Connect the electrical connector to the window switch.



45.

- Install and tighten the 2 bolts to the front left door card.
Torque: 11.3 Nm
 - Install and tighten the 3 bolts behind the armrest finisher.
Torque: 5 Nm
 - Install and tighten the screw.
Torque: 5 Nm
-

46.

Install the cover from behind the front left interior door handle.

47.

- Install the front left door armrest finisher.
 - Install the 15 clips that attach the front left door armrest finisher to the front left door card.
-

48.

Test the functionality of the door button.

49.

Note:

Any Left Hand Drive steps will now be Right Hand Drive only

Repeat steps 17 – 48 for the front right door button.

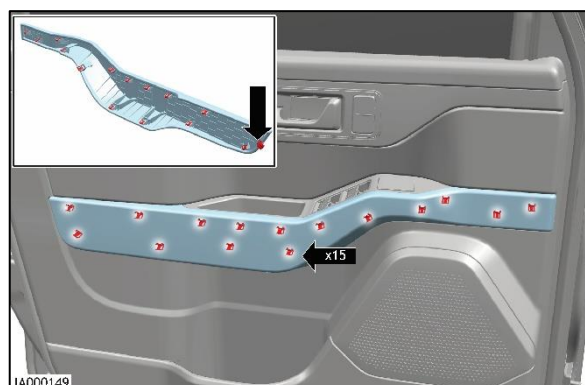
Parts: GRA-8C11-036700 – Door Latch Button – Front Right (LHD only). Quantity: 1

GRA- 9K41-036740 – Lockset Station Wagon - RHD. Quantity: 1

GRA-9K41-036760 – Lockset Quartermaster – RHD. Quantity: 1

50.

- Release the 15 clips that attaches the arm rest finisher to the rear left door card.
- Remove the armrest finisher.

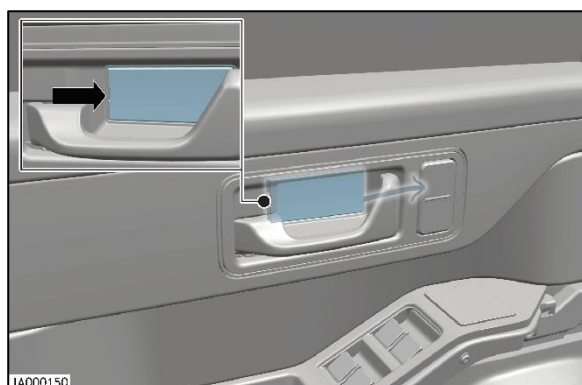


51.

Cautions

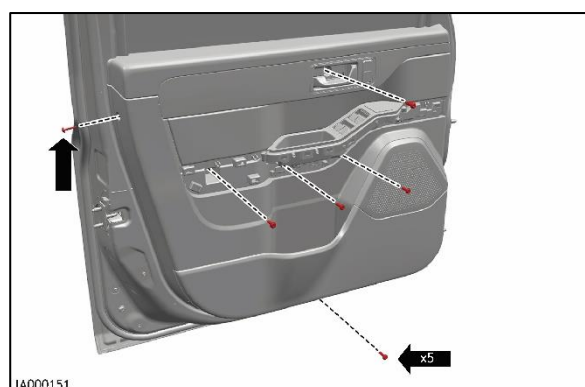
Take extra care to not damage the component or the surrounding components.

Release the cover from behind the rear left interior door handle.



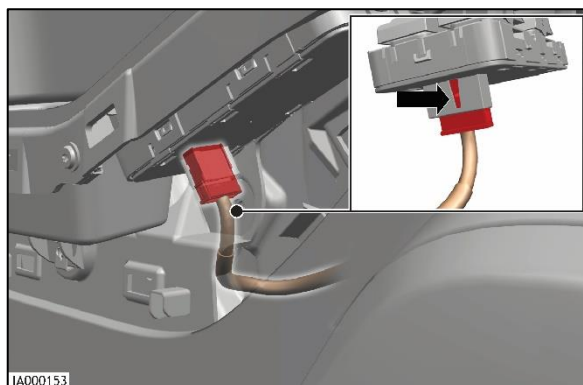
52.

- Remove the 5 bolts from the front left door card.
- Remove the screw from the front left door card.



53.

Disconnect the electrical connector from the window switch.

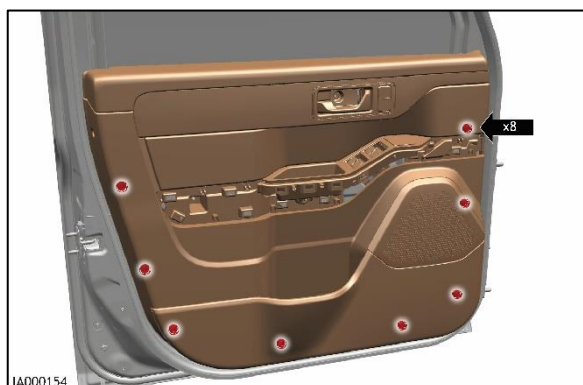


54.

Cautions

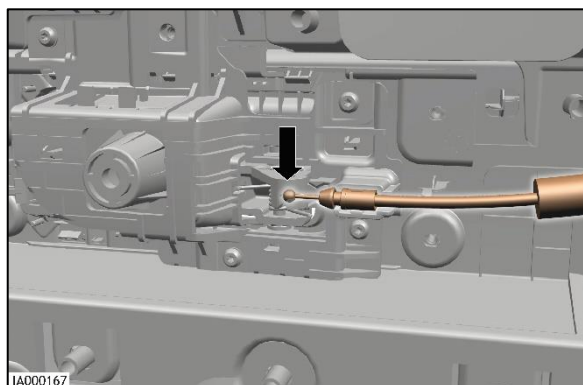
Do not remove the door card as this will damage any electrical connectors that are still attached to the door card.

Release the 8 clips from the rear left door card.



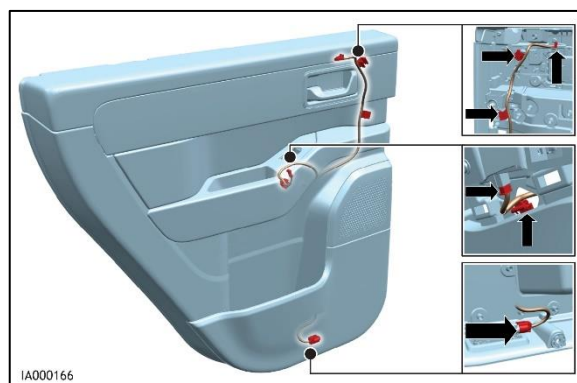
55.

Disconnect the Bowden cable from the interior door.



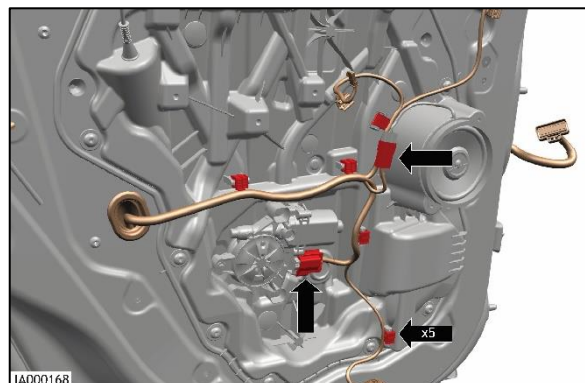
56.

- Disconnect the electrical connector from the interior handle light.
- Disconnect the electrical connector from the puddle light.
- Disconnect the electrical connector from the window switch.
- Release the 3 wiring harness clips.
- Remove the rear left door card.



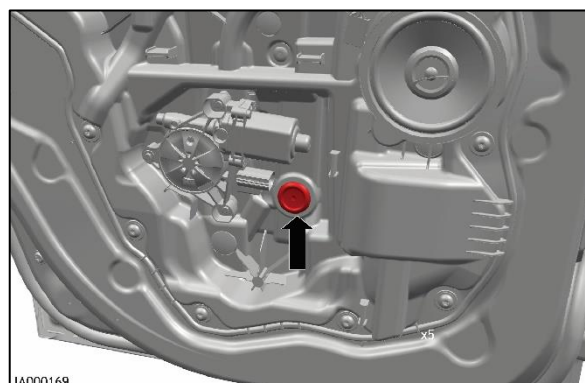
57.

- Disconnect the rear door speaker.
- Disconnect the rear window motor.
- Release the 5 rear door wiring harness from the window regulator.



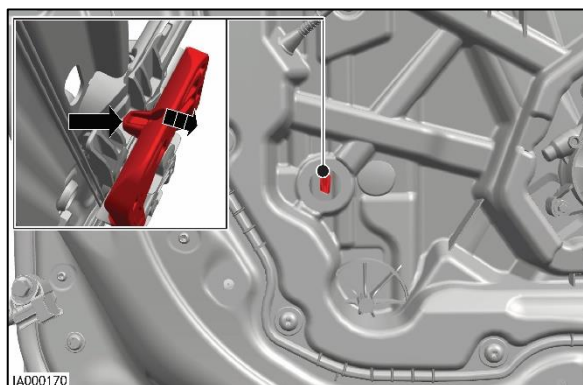
58.

Remove the grommet.



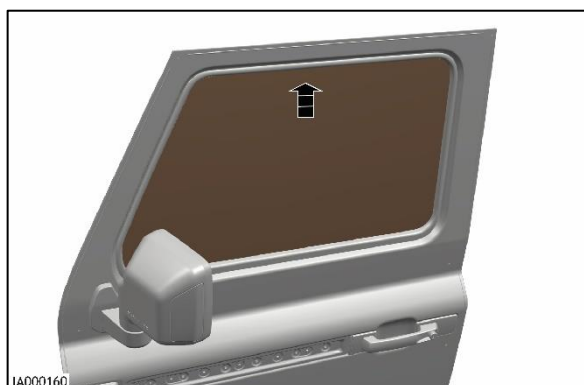
59.

Release the clip for the window.



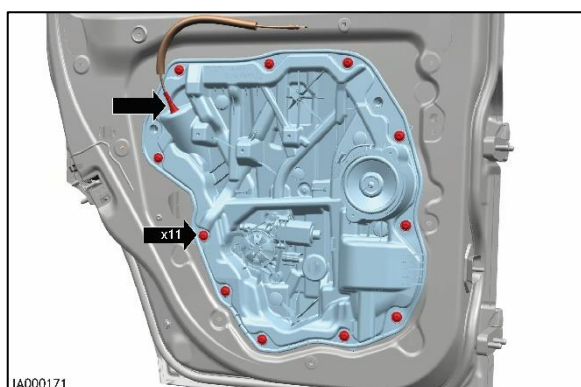
60.

- Move the window to the close position.
- Using suitable equipment, secure the window in position.



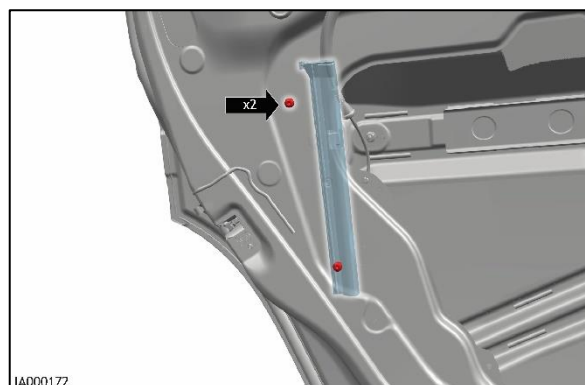
61.

- Remove the 11 bolts that attaches the window regulator bracket to the door.
- Release the window regulator bracket from the door.
- Release the grommet that attaches the Bowden cable to the window regulator.
- Remove the window regulator bracket.



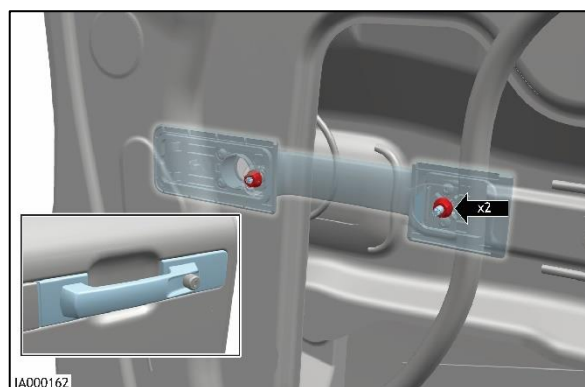
62.

- Remove the 2 bolts.
- Remove the window runner.



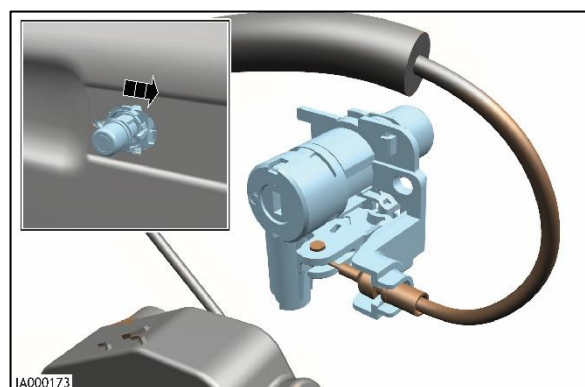
63.

- Remove the 2 nuts that attaches the outer door handle to the door.
- Remove the outer door handle.



64.

- Disconnect the Bowden cable from the door latch button.
- Remove the door latch button.



65.

- Install the new door latch button.
Parts: GRA-8B12-036690 – Door Latch Button – Rear Left. Quantity: 1
- Install the Bowden cable to the door latch button.

66.

- Install the outer door handle
- Install and tighten the 2 nuts that attaches the outer door handle to the door.

Torque: 6 Nm

67.

- Install the window runner.
- Instal and tighten the 2 bolts that attaches the window runner to the door.

Torque: 8 Nm

68.

- Install the bowden cable in the window regulator bracket.
- Reposition the grommet onto the window regulator.
- Install the window regulator bracket.
- Install and tighten the 11 bolts that attaches the window regulator bracket to the door.

Torque: 6 Nm

69.

- Release the window.
 - Install the window into the clips.
-

70.

Install the grommet to the window regulator mounting bracket.

71.

- Connect the electrical connector to the rear door speaker.
- Connect the electrical connector to the rear window motor.
- Install the 5 clips that attaches the wiring harness to the window regulator.



72.

- Install the door card.
 - Connect the electrical connector for the interior door handle light.
 - Connect the Bowden cable from the interior door.
 - Connect the electrical connector from the puddle light.
-

73.

- Install the 8 clips on the door card to the door.
 - Install the front left door card.
-

74.

Connect the electrical connector to the window switch.

75.

- Install and tighten the 2 bolts to the front left door card.
Torque: 11.3 Nm
 - Install and tighten the 3 bolts behind the armrest finisher.
Torque: 5 Nm
 - Install and tighten the screw.
Torque: 5 Nm
-

76.

Install the cover from behind the rear left interior door handle.

77.

- Install the rear left door armrest finisher.
 - Install the 15 clips that attach the front left door armrest finisher to the front left door card.
-



78.

Test the functionality of the door button.

79.

Repeat steps 50 – 78 for the rear right door button

Parts: GRA-8C11-036700 – Door Latch Button – Rear Right. Quantity: 1

80.

If the vehicle is a Station Wagon proceed to **Remove the Split Door Button – Station Wagon/Utility Wagon.**

If the vehicle is a Quartermaster proceed to **Remove the Tailgate Button – Quartermaster.**

Remove the Split Door Button – Station Wagon/Utility Wagon

1.

Remove the Split Door Latch Button

Refer to: [Split-Door Outer Handle Kinematics \(Remove for Access and Install\) TOPIC 0000001693](#)

2.

Install the new Split Door Latch Button

Refer to: [Split-Door Outer Handle Kinematics \(Remove for Access and Install\) TOPIC 0000001693](#)

Parts: GRA-8F02-036720 – Split Door Latch Button. Quantity: 1.

3.

Proceed to – **Procedure – Ignition Barrel Replace.**



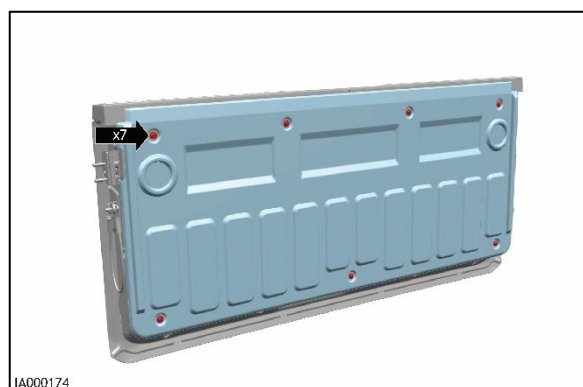
Remove the tailgate button - Quartermaster

1.

Open the Tailgate.

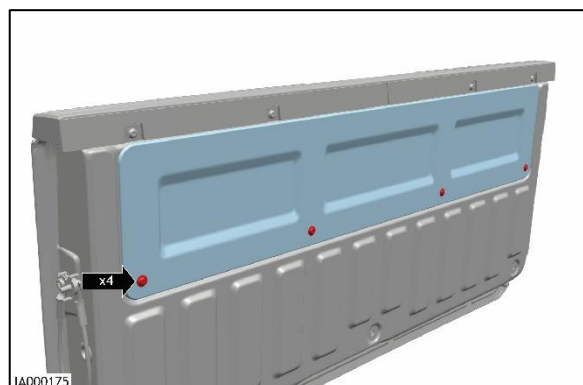
2.

- Remove the 7 bolts.
- Remove the primary tailgate cover



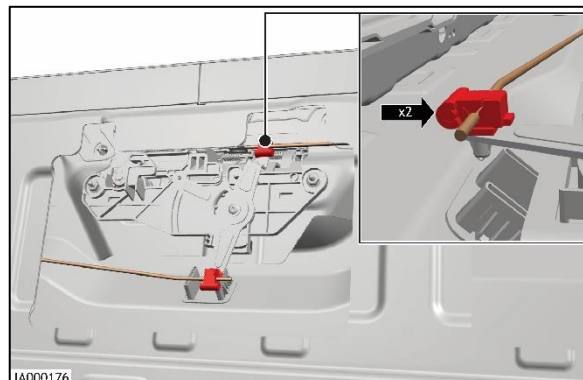
3.

- Remove the 4 bolts.
- Remove the secondary tailgate cover.



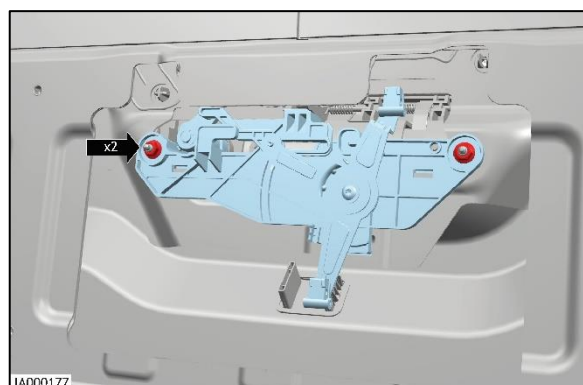
4.

- Release the 2 clips
- Release the 2 rods from the tailgate handle mechanism.



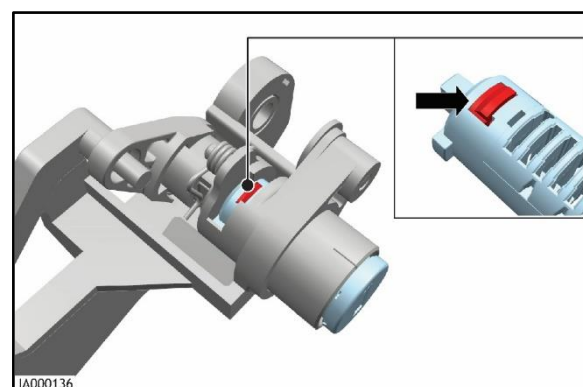
5.

- Remove the 2 nuts that attaches the tailgate handle to the tailgate handle mechanism.
- Remove the tailgate handle mechanism



6.

- Insert the key into the tailgate lock.
- Using a suitable tool, press the highlighted button to release the tailgate lock.
- Remove the tailgate lock.



7.

- Insert the new key into the new tailgate lock.
- Install the new tailgate lock.
Parts: GRA-9K41-036750 – Lockset Quartermaster - LHD. Quantity: 1
GRA-9K41-036760 – Lockset Quartermaster - RHD. Quantity: 1
- Remove the new key from the new tailgate lock.

8.

- Install the tailgate mechanism.
 - Install and tighten the 2 nuts that attaches the tailgate handle to the tailgate handle mechanism.
Torque: 6 Nm
-

9.

- Install the 2 rods from the tailgate handle mechanism.
 - Install the 2 clips.
-

10.

- Install the secondary tailgate cover.
 - Install and tighten the 4 bolts.
Torque: 8 Nm
-

11.

- Install the primary tailgate cover.
 - Install and tighten the 7 bolts.
Torque: 8 Nm
-

12.

Close the tailgate.

13.

Proceed to – **Procedure – Ignition Barrel Replace.**



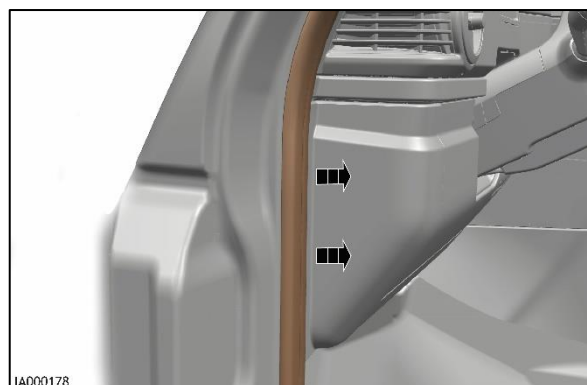
Procedure – Ignition Barrel Replace.

Note:

The procedure shows images for a left hand drive vehicle. Right hand drive vehicles are similar.

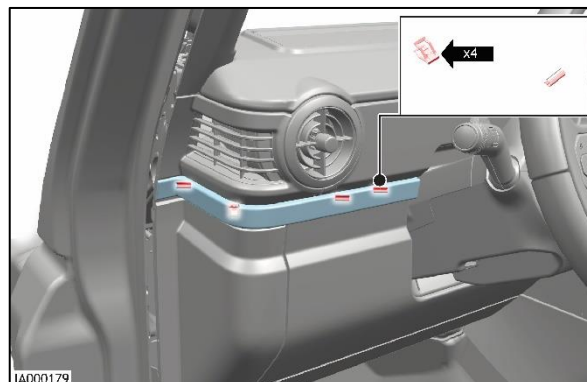
1.

Release the door seal from the body frame.



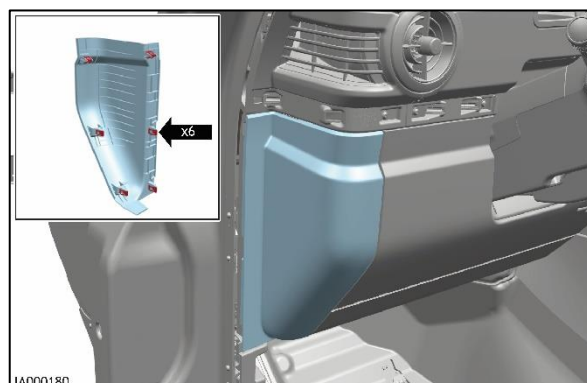
2.

- Release the 4 clips that attaches the decorative strip to the upper console.
- Remove the decorative strip.



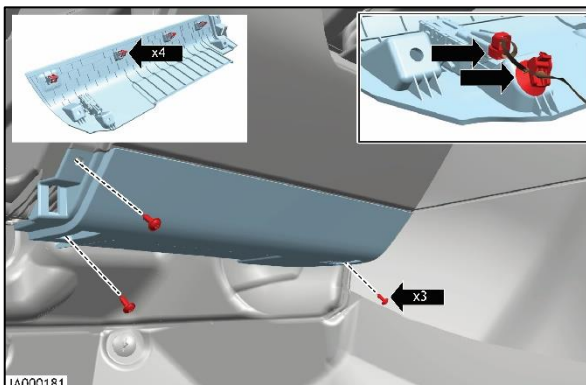
3.

- Release the 6 clips that attaches to the driver's side end cap to the instrument panel carrier
- Remove the driver's side end cap



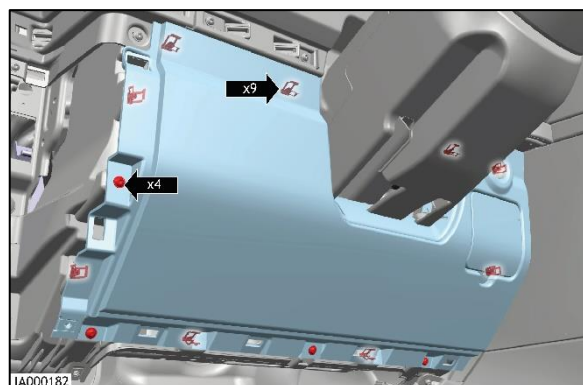
5.

- Remove the 3 screws that attaches the panel trim to the instrument panel carrier.
- Disconnect the electrical connector from the lamp.
- Release the harness clip from the panel trim.
- Remove the panel trim.



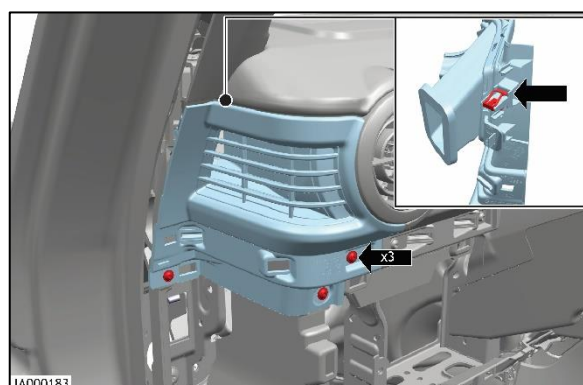
6.

- Remove the 4 screws that attaches the lower dash cover to the instrument panel carrier.
- Release the 9 clips that attaches the lower dash cover to the instrument panel carrier.
- Remove the lower dash cover.



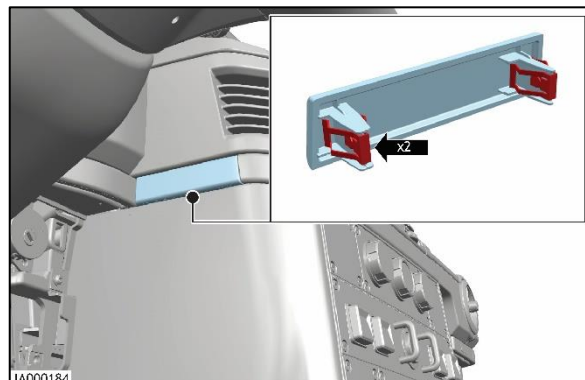
7.

- Remove the 3 screws that attaches the driver's side demister to the instrument panel carrier.
- Release the clip that attaches driver's side demister to the instrument panel carrier.
- Remove the driver's side demister.



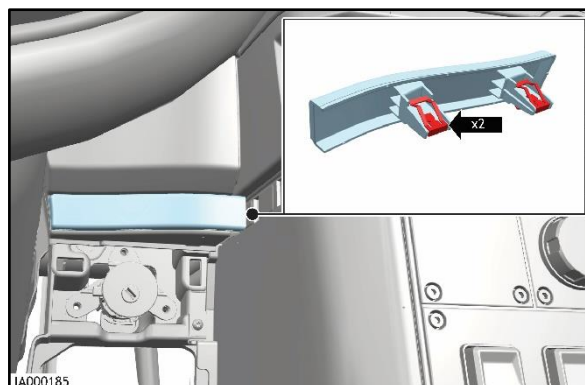
8.

- Release the 2 clips that attaches the decorative strip to the center airvent.
- Remove the decorative strip center.



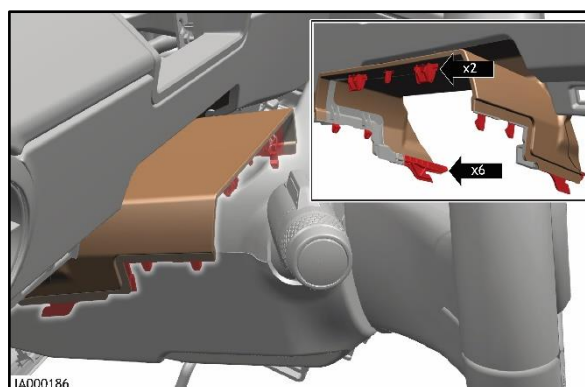
9.

- Release the 2 clips that attaches the decorative strip to the upper console.
- Remove the decorative strip driver's center console.



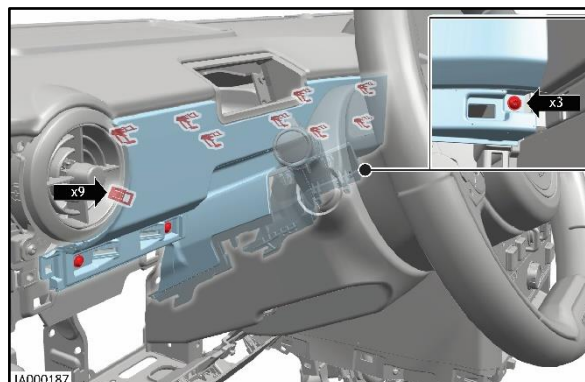
10.

- Release the 2 clips that attaches the steering column mid panel to the steering column upper cowl.
- Release the 6 clips that attaches the steering column mid panel to the steering column lower cowl.
- Release the steering column mid panel.



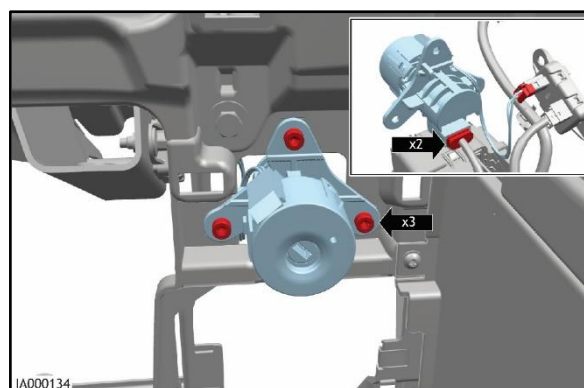
11.

- Remove the 3 screws that attaches the driver's mid panel to the instrument panel carrier.
- Release the 9 clips that attaches mid panel to the instrument panel carrier.
- Remove the mid panel.



12.

- Remove the 3 bolts.
- Release the ignition barrel
- Disconnect the 2 electrical connectors.
- Remove the ignition barrel.



13.

- Reposition the new ignition barrel into the correct position.
- Connect the 2 electrical connectors.
- Install the new ignition barrel.

Parts: GRA-9K41-036750 – Lockset Quartermaster - LHD. Quantity: 1

GRA-9K41-036760 – Lockset Quartermaster – RHD. Quantity: 1

GRA-9K41-036730 – Lockset Station Wagon – LHD. Quantity: 1

GRA- 9K41-036740 – Lockset Station Wagon - RHD. Quantity: 1

- Install and tighten the 3 bolts.

Torque: 3.5 Nm

14.

- Install the mid panel to the instrument panel carrier.
 - Install and tighten the 3 screws that attaches the drivers mid panel to the instrument panel carrier.
Torque: 1.6 Nm
-

15.

Install the steering column mid panel.

16.

Install the decorative strip center.

17.

Install the decorative strip drivers center console side.

18.

- Install the driver's side demister.
 - Install and tighten the 3 screws that attaches the driver side demister to the instrument panel carrier
Torque: 1.6 Nm
-

19.

- Install the lower dash cover.
 - Install and tighten the 4 screws that attaches the lower dash cover to the instrument panel carrier.
Torque: 1.6 Nm
-

20.

- Install the panel trim.
- Install the harness clip to the panel trim.
- Connect the electrical connector to the lamp.
- Install and tighten the 3 screws that attaches the panel trim to the instrument panel carrier.
Torque: 1.6 Nm



21.

Install the drivers end cap.

22.

Install the decorative strip.

23.

Install the door seal

24.

Note:

Steps 24 - 30 is for vehicles fitted with Auxiliary battery only.

Remove the insulative cover from the Auxiliary Battery Negative Post.

25.

Remove the insulation tape from the Auxiliary Battery Negative-Terminal Clamp.

26

Install the Auxiliary Battery Negative-Terminal clamp onto the Auxiliary Battery Negative Post.

27.

Tighten the nut that attaches the Auxiliary Battery Negative-Terminal Clamp to the Auxiliary Battery Negative Post.

Torque: 5 Nm



28.

Note:
Vehicles that are the 5-seater variant only

- Install the rear right underseat cover
- Install and tighten the 2 nuts

Torque: 2 Nm

- Install and tighten the 2 bolts.#

Torque: 2 Nm

29.

Close the 2 covers on the rear right underseat cover.

30.

Close the rear right bench seat.

30.

Note:
All vehicles.

Remove the insulative cover from the Battery Negative Post.

31.

Remove the insulation tape from the Battery Negative-Terminal Clamp.

32.

Install the Battery Negative-Terminal clamp onto the Battery Negative Post.



33.

Tighten the nut that attaches the Battery Negative-Terminal Clamp to the Battery Negative Post.

Torque: 5 Nm

34.

Note:
Vehicles that are the 5-seater variant only

- Install the rear left underseat cover
- Install and tighten the 2 nuts

Torque:

- Install and tighten the 3 bolts.

Torque: 2 Nm

35.

Close the 2 covers on the rear left underseat cover.

36.

Close the rear left bench seat.

37.

Note:
Vehicles that are the 5-seater variant only

Close the loadspace floor.



39.

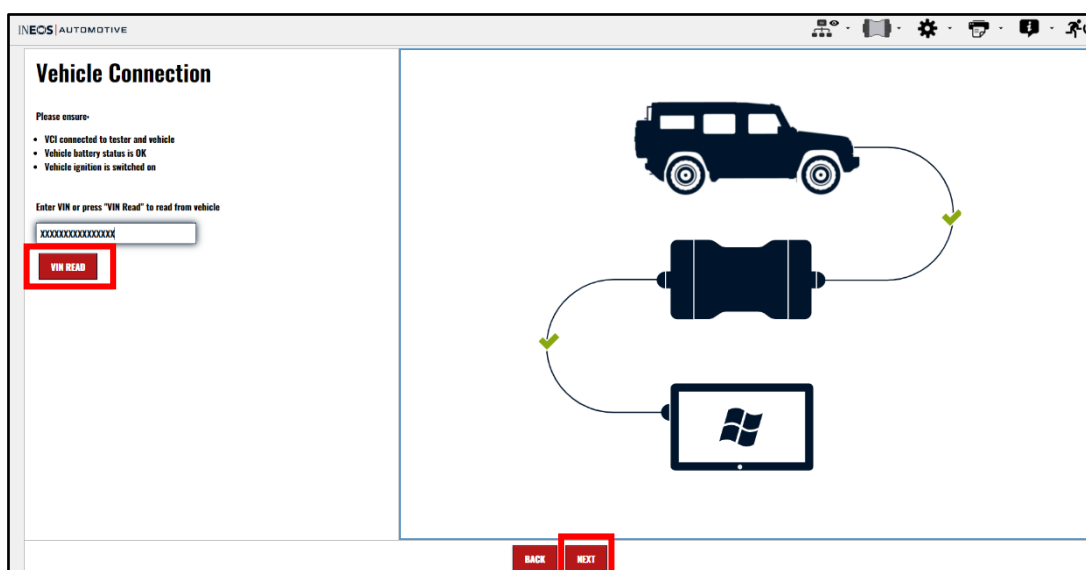
Proceed to **Procedure – New Key Recoding.**



Procedure - New Key Recoding.

1.

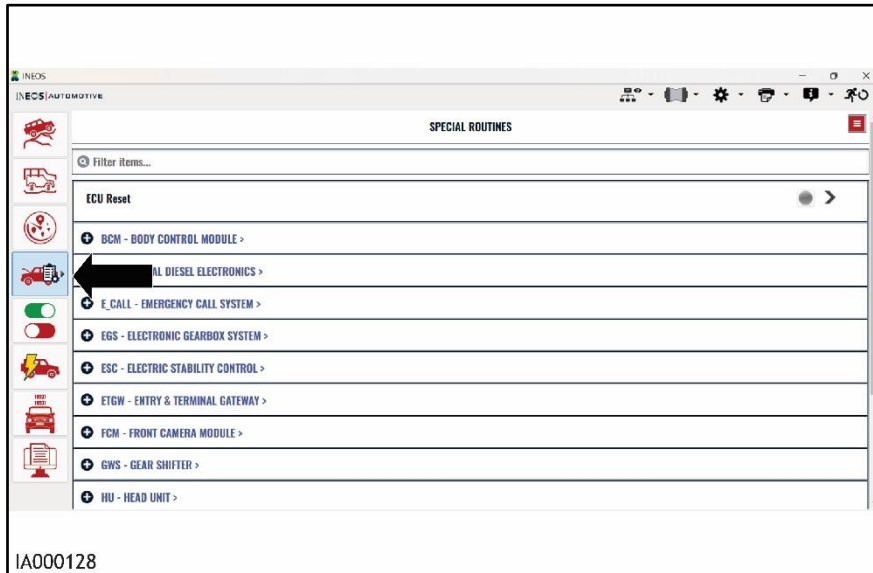
Note:
- See VCI connection documentation for VCI self-help.
- Ensure the connection is NOT in simulation.



Connect the vehicle to Grade-X using the VCI connected to the OBD port in the driver's footwell.

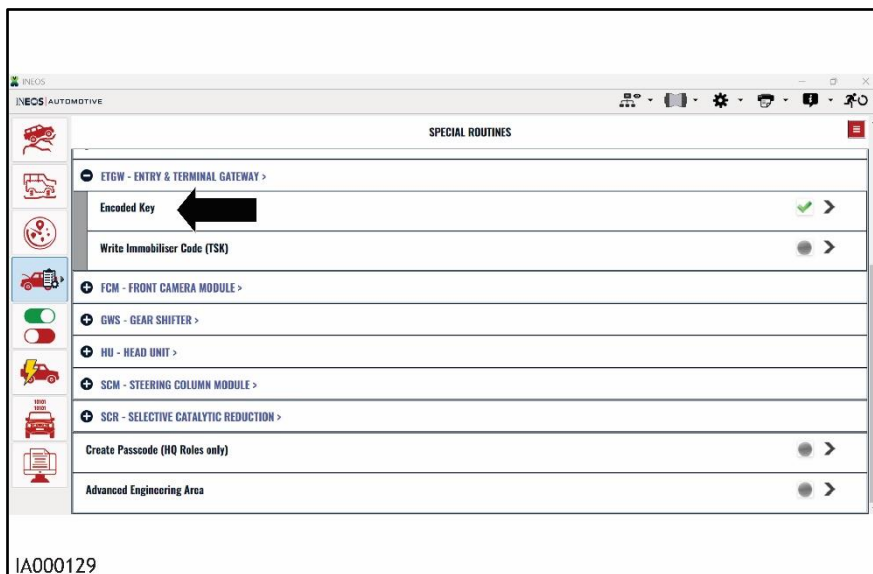
- 1) Select '**VIN READ**'.
- 2) Select '**NEXT**'.

2.



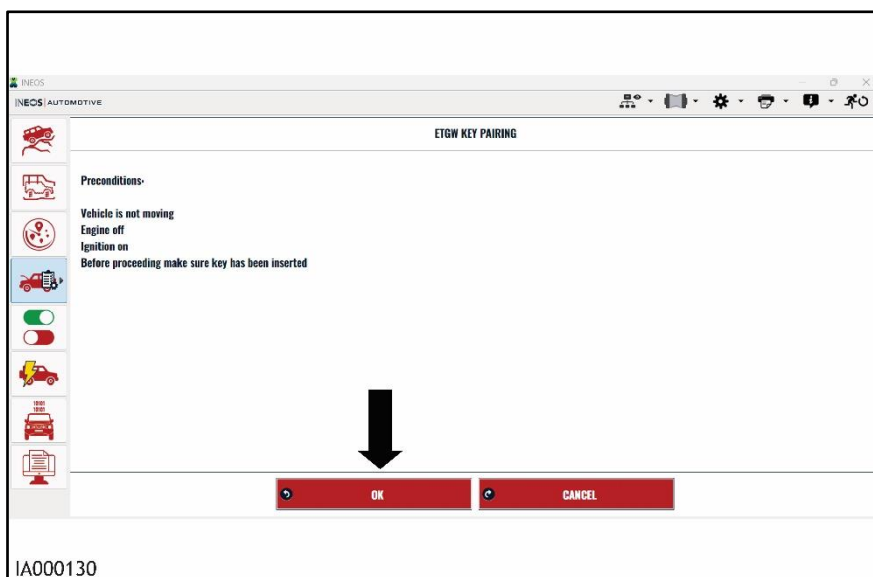
Select 'Special Routines'

3.



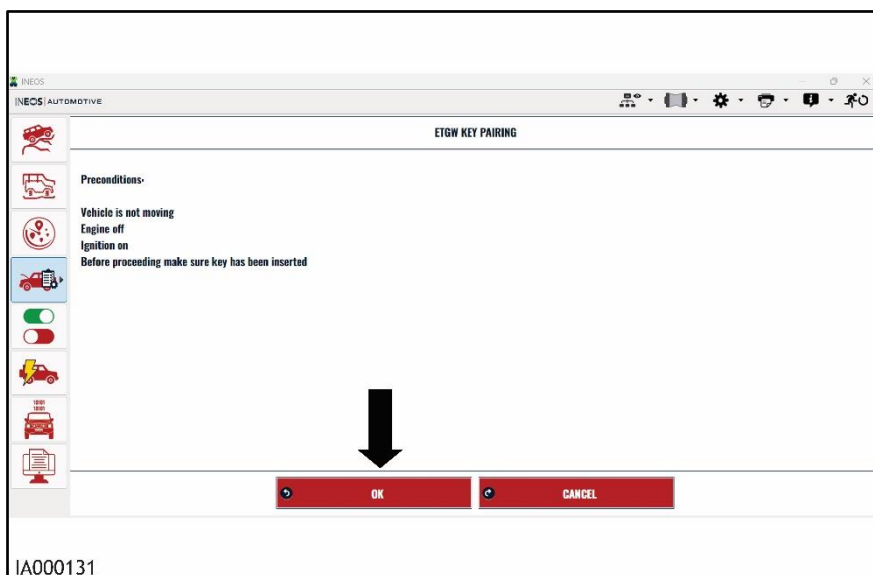
Select 'Encoded Key'

4.

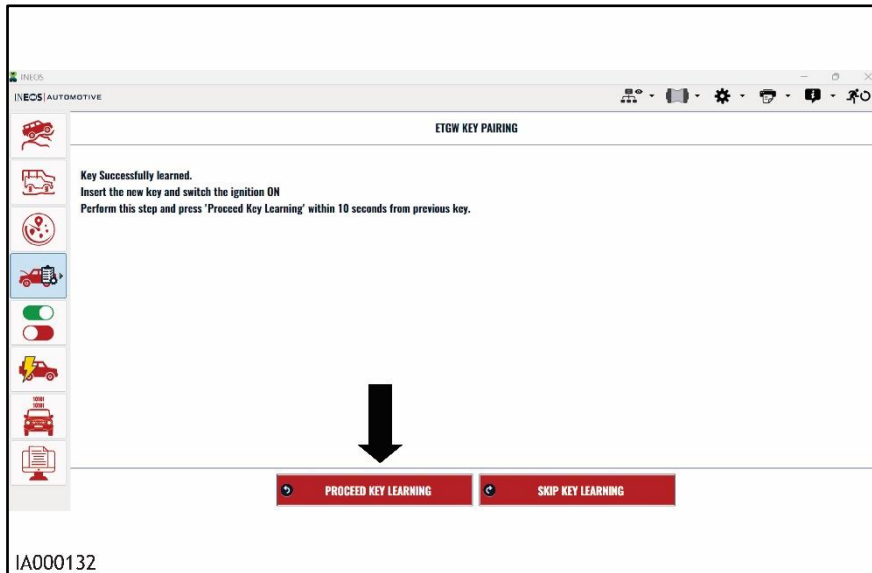


Press 'OK'

5.



6.



- Select **'Proceed Key Learning'** and repeat steps 3 – 5 for every key.
- If no more keys require coding, select **'Skip Key Learning'**.

7.

Disconnect the vehicle from Grade – X and test the functionality of each key.

8.

Release the vehicle.

Change History

Reference No.	Date	Description
IARCM004189	03/03/2025	First release
IARCM004189v2	25/03/2025	Second Release

