

AIRSTREAM®

Classic Sofa Switch Recall

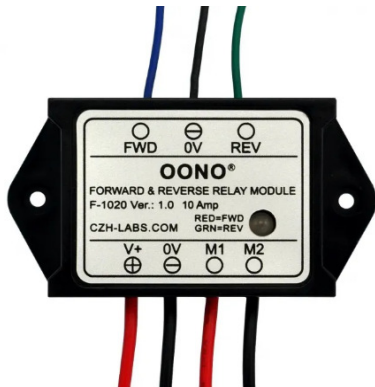
Tools Needed:

Wire strippers
Wire cutters
Impact driver
Philips bit



Parts Needed:

Relay Module (2 ea.)	514639
Wago 2 pin (14 ea.)	513370
1/2" Screw (4ea.)	320035



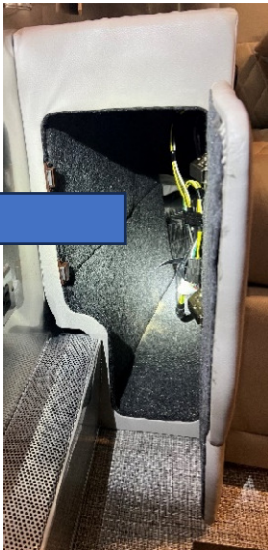
33 Classic:

The plugs for the footrest switches can be accessed by raising both footrests. Under the sofa, on both sides, a square cutout hole will house each plug.

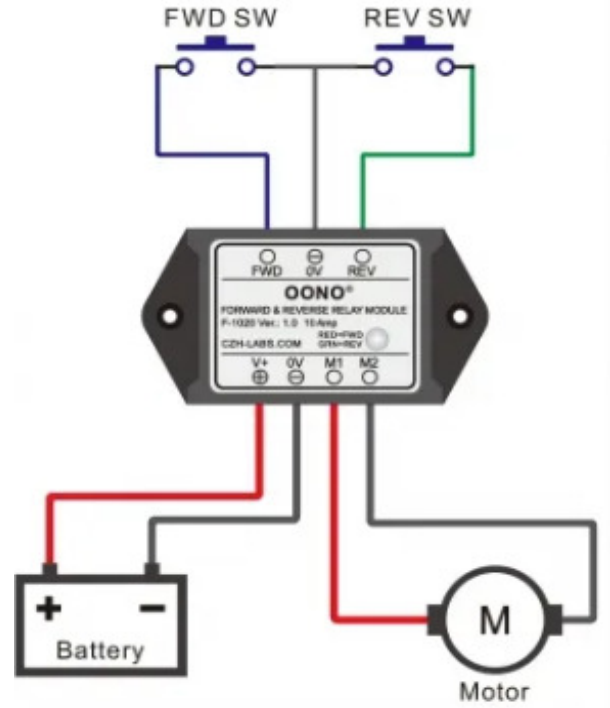


28 and 30 Classic:

The footrest switches can be accessed by opening the doors on the arm rests on both sides of the sofa.



NOTE: follow the wiring instructions carefully. Wire colors to each plug will differ due to pin location.

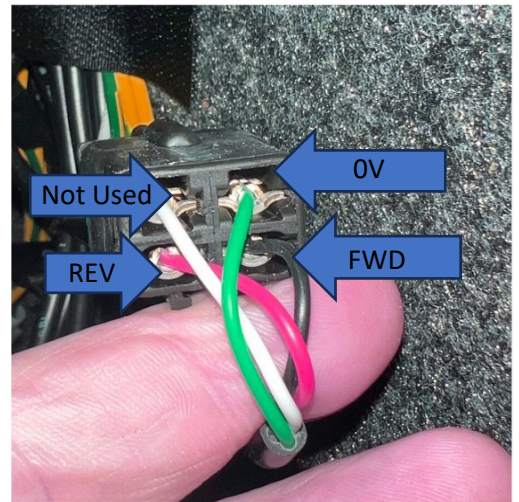
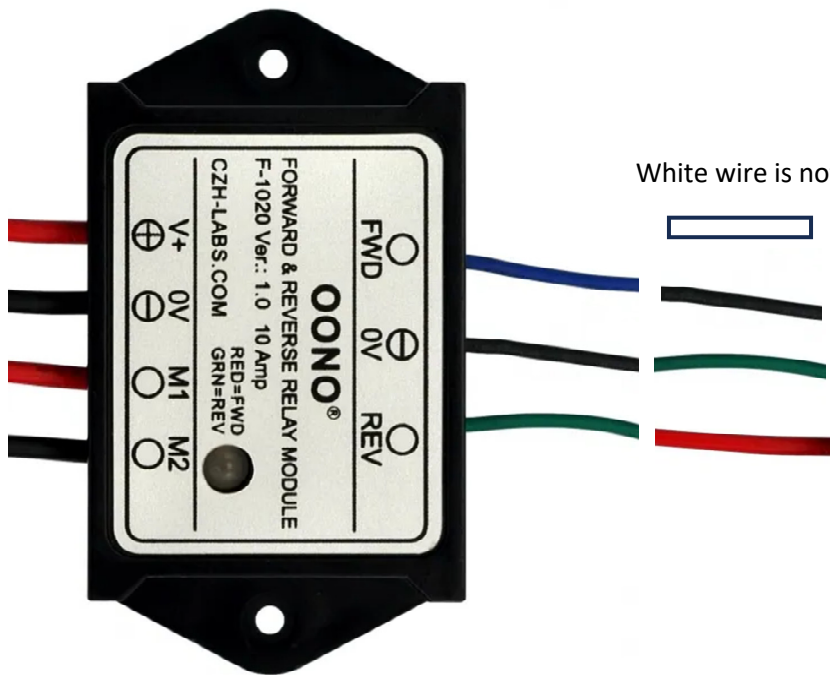


Disconnect the plug and cut only the wires on the side of the plug that goes to the switch with the red, green, black and white wires.



Wire the module to the cut wires using the Wago connectors. Connect the wires to the module as follows:

Relay Module		Cut wires
Blue	to	Black
Black	to	Green
Green	to	Red
Not used		White

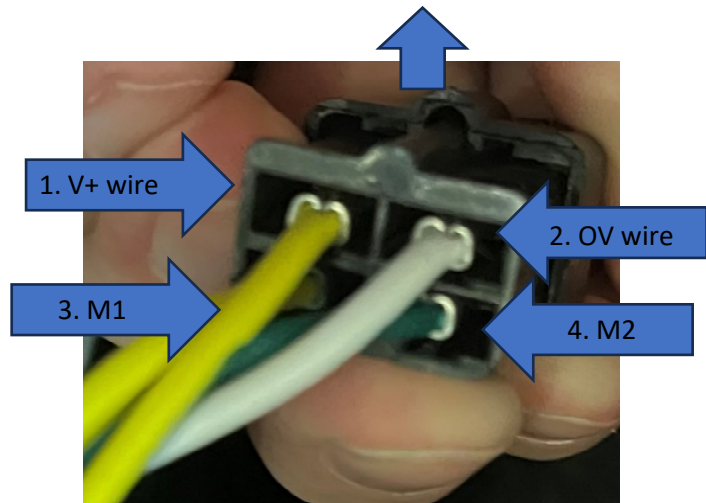


WARNING

The wires on the other side of the plug will need to be disconnected and connected one wire at a time. Different wire colors were used for this plug.

Hold the plug with the nub at the top and facing away from you. You should be looking at the side of the plug that the wires go in.

1. Cut the wire in the top left and connect it to the red V+ wire of the module.
2. Cut the wire in the top right and connect it to the OV black wire of the module (this is the ground wire).
3. Cut the wire in the bottom left and connect it to the M1 red wire of the module.
4. Cut the wire in the bottom right and connect it to the M2 black wire of the module.



Attach the module and the wires to the side of the panel to keep them secure.

