
Release Date	Number	Release	Page
04.2025	RVXX2501	05	1(9)

**Akasol Gen 3 Batteries
VNRe**

June 10, 2025 Revision 5: Updated Warranty Information

RECALL INFORMATION

April (2025)

Volvo Trucks has identified that certain VNRe vehicles may be equipped with defective Akasol Gen 3 batteries. The issue stems from manufacturing process factors related to torque and rework at the supplier's factory.

The affected batteries may contain improperly torqued hardware that could break and fall into the battery pack. This loose hardware can potentially cause a short circuit within the battery cells, which could lead to a thermal event and possibly result in a fire.

To ensure that these vehicles meet Volvo's stringent quality requirements, an Akasol Battery Specialist team will inspect and repair/replace suspect batteries if necessary.

VEHICLES AFFECTED

Certain 2022 to 2025 Volvo VNRE (electric) vehicles manufactured from May 13, 2021, through November 13, 2024.

VEHICLE QUANTITY

There are 153 vehicles affected by this recall (142 U.S, 11 Canada).

Suspect Battery Identification

To determine which batteries on each truck are suspect, please see the VIN list located at the end of this document. All battery serial numbers in the “Suspect Battery” columns must be serviced by the onsite Akasol technicians. The number of suspect batteries per truck will vary. Example below.

VIN	Suspect Battery	Suspect Battery	Suspect Battery	Suspect Battery	Suspect Battery	Suspect Battery
	30006208					
	30003239	30003251				
	30003707	30003703	30003675			

Scheduling Battery Inspection/Repair

An Akasol Battery Specialist team is required to be on site to perform the battery inspection and/or repair. To ensure availability and proper coordination, the visit must be scheduled one week in advance.

To schedule please send an email titled “RVXX2501 Akasol Support Request” to following addresses (tbeauchesne@borgwarner.com, vcelli@borgwarner.com, campaign@volvo.com) and include the information below.

- Dealer Name
- Location Address
- VIN number of truck
- Number of batteries that need to be serviced
- Desired date of repair (Please provide one week’s notice in advance to allow for travel, etc.)
- Dealer Contact Information and Representative
- Inform whether the work area will be in or outdoors

Onsite Battery Inspection/Repair Preparation

To allow Akasol to complete the needed battery services, the following is needed.

- An in or outdoor 20ft x 20ft secure area to perform battery work. Please communicate with the Akasol team if the area will be in or outside.
- Access to 110 power outlet or cord.
- Please have all suspect batteries removed and ready for repair one or two days before Akasol arrives on-site.

Battery Ordering Instructions

Replacement batteries will ONLY need to be ordered if the onsite Akasol technicians deem a battery pack as un-repairable. If an un-repairable battery is discovered, please order the replacement battery using the VOR process.

Part Number	Part Description	Quantity
24203806	Battery	As Needed

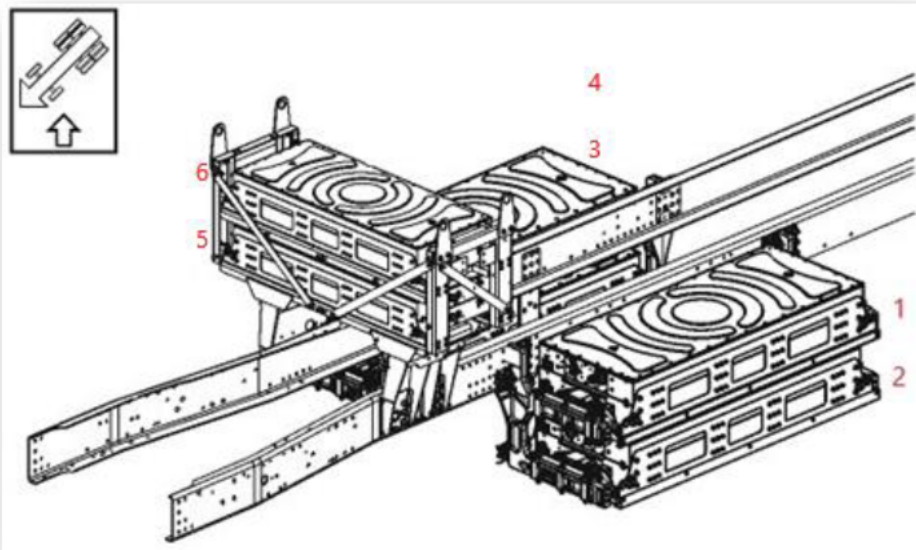
Repair Instructions

1. Follow Impact Operation 3100-09-01-04 Traction Voltage System Decommissioning.
2. Determine the position of the suspect battery/batteries by inspecting the battery serial tags and matching them with the suspect battery list.

Note: If a battery's serial tag is missing or unreadable, please perform PTT Operation 3690-08-03-02: *Electric Propulsion System, Parameters, Readout*. This operation retrieves the serial numbers of all installed batteries, which will be labeled A through F. Label A corresponds to battery location 1, B to location 2, and so on.

3. Refer to the Impact Operations below for the corresponding position to remove the suspect battery/batteries.

Battery Location	Impact Operation ID
Traction Battery 1	3121-03-03-04
Traction Battery 2	3121-03-03-05
Traction Battery 3	3121-03-03-06
Traction Battery 4	3121-03-03-07
Traction Battery 5	3121-03-03-08
Traction Battery 6	3121-03-03-09



4. Once suspect battery/batteries are removed, deliver the battery/batteries to the designated battery inspection/repair area.

IMPORTANT NOTE

While battery investigation or repair work is being carried out by the designated Akasol team, all other personnel are expected to continue with their assigned tasks or proceed with other scheduled work. Please do not remain idle or observe the battery work unless specifically requested to assist. This ensures efficient use of time and helps keep overall operations on track.

5. There are 3 possible outcomes of the battery inspection/repair. See chart for details.

Inspected with No Defects Found	Inspected and Repaired	Non-Repairable
The battery will be reinstalled on the truck.	The battery will be reinstalled on the truck.	A new battery will need to be ordered to replace the battery.

6. Refer to the Impact Operations below for the corresponding position to install the inspected/repaired battery/batteries.

Battery Location	Impact Operation ID
Traction Battery 1	3121-03-03-04
Traction Battery 2	3121-03-03-05
Traction Battery 3	3121-03-03-06
Traction Battery 4	3121-03-03-07
Traction Battery 5	3121-03-03-08
Traction Battery 6	3121-03-03-09

7. Refer to Impact Operation 3100-09-01-03 Traction Voltage System Commissioning.

8. Return the truck to service.

Important Note!

Please refer to Design and Function document ID number 161186507-Storage, Handling and Transport of Traction Batteries in Impact under function group 312 for information on how to handle and ship the batteries.

REIMBURSEMENT

This repair is covered by an authorized safety recall. Reimbursement is obtained through the normal claim handling process.	
	UHP Reimbursement
Claim Type (used only when uploading from the Dealer Business System)	40
Recall Status	
Vehicle repaired per instructions	1-Modified per instructions
Labor Codes (Once Per Vehicle on All Vehicles)	
1700-16-03-01 Battery Handling (0.1 x 10) (Use as primary Labor Code)	1.0
3100-09-01-04 Traction Voltage Decommission	0.9
3100-09-01-03 Traction Voltage Commission	1.2
Trucks With Only One Suspect Battery (Use Labor Code According to Suspect Battery Location)	
3121-03-03-04 R&R Battery #1	4.6
3121-03-03-05 R&R Battery #2	3.6
3121-03-03-06 R&R Battery #3	4.2
3121-03-03-07 R&R Battery #4	4.6
3121-03-03-08 R&R Battery #5	3.1
3121-03-03-09 R&R Battery #6	2.9
Trucks with Two to Five Suspect Batteries (Use Labor Code According to the number of Suspect Batteries)	
1720-16-09-01(Two Suspect Batteries) Campaign General (0.1 x 55)	5.5
1720-16-09-01 (Three Suspect Batteries) Campaign General (0.1 x 71)	7.1
1720-16-09-01 (Four Suspect Batteries) Campaign General (0.1 x 86)	8.6
1720-16-09-01 (Five Suspect Batteries) Campaign General (0.1 x 102)	10.2
Trucks that All Batteries are Suspect	
3121-03-03-02 Replace All Traction Batteries	11.8
Causal Part	24203806
Authorization Number	C0441

Note: Dealers or the designated representatives are required to perform Safety Recall on all subject vehicles at no charge to the vehicle owner regardless of mileage, age of vehicle or ownership (original purchaser or subsequent purchasers). Whenever vehicles that are subject to Safety Recall are brought to your dealership for service, it is strongly recommended that every effort be made to perform the recall correction before the vehicle is released to the owner.

VIN	Suspect Battery	Suspect Battery	Suspect Battery	Suspect Battery	Suspect Battery	Suspect Battery
	30006208					
	32000211					
	30004133					
	30004775	30004858				
	30003705					
	30005493					
	30003239	30003251				
	30005018	30004864				
	30003065					
	30003060					
	30003142	30003151				
	30001550					
	30004514					
	30004684					
	30001594					
	30000505					
	30001024					
	32000210					
	30003126	30003122	30003093			
	30003286	30003279				
	30003707	30003703	30003675			
	30003333	30003266				
	30003211	30003119				
	30003694					
	30004627					
	30000164					
	30000408					
	30001391					
	30001275					
	30005765					
	30003256	30003245	30003225	30003199		
	30000100					
	30003242	30003176	30003202			
	30003098					
	30001719					
	30003430					
	30003745					
	30003054					
	30001417					

VIN	Suspect Battery	Suspect Battery	Suspect Battery	Suspect Battery	Suspect Battery	Suspect Battery
	30000338					
	30003073	30003069				
	30003263	30003270	30003258			
	30003312	30003248	30003167			
	30003283	30003257	30003252	30003290		
	30003236	30003216				
	30003135	30003100				
	30003701	30003678	30003664	30003663		
	30002561					
	30001590					
	30000106	30001251				
	30006220					
	30000503					
	30003255					
	30003162	30003294	30003177			
	30003207	30003138	30003244			
	30002800					
	30003265	30003231	30003284	30003201		
	30005090					
	30003706	30003668	30003679			
	30004357					
	30000354					
	30004129	30004158				
	32000057					
	30003347					
	30004279					
	30003683					
	30001585					
	30003163	30003156				
	30003295	30003287	30003238			
	30004103	30003276	30003235			
	30002881					
	30004306					
	30006036					
	30005591					
	30003110					
	30003288					
	30003146	30002956				
	30003153	30003269	30003191	30003097		
	30003699	30003662	30003139			

VIN	Suspect Battery	Suspect Battery	Suspect Battery	Suspect Battery	Suspect Battery	Suspect Battery
	30001814					
	30003247					
	30002982					
	30000628					
	30005899					
	32000230	32000226				
	32000231					
	30004164					
	30004521					
	30003078					
	30003281					
	30003272	30003260	30003254			
	30001179					
	30003278	30003253	30003234	30003228		
	30003416					
	30003820	30003429				
	30001582					
	30004768					
	32000198					
	30002711					
	30003224	30003220	30003229			
	30003226	30003222	30003197			
	30001514					
	30003105	30003101				
	30003456					
	30003123					
	30003218	30003214				
	30002420					
	30005071					
	30004304					
	30003136					
	30004741					
	32000187					
	30003168					
	30003219	30003215	30000733	30003250		
	30003132	30003115	30003120			
	30003700					
	30005013					
	30004712					
	30003072					

VIN	Suspect Battery	Suspect Battery	Suspect Battery	Suspect Battery	Suspect Battery	Suspect Battery
	30001000					
	30002574					
	30003704					
	30001185					
	30003292					
	30003249	30003241				
	30001600	30001523				
	30004584					
	30003698	30003684				
	30003267	30003264				
	30003275	30003273	30003243			
	30005009					
	30003117					
	30001643	30002793				
	30006226					
	30006033					
	30005276					
	30005894					
	30003184	30003149	30003154	30003143	30003170	
	32000173					
	30003667					
	30002300					
	30001020					
	30003411					
	30003109					
	30000207					
	30003708	30003702				
	30003172	30003164	30003160	30003157	30003152	30002995
	30000594					
	30006048					
	30006204					
	32000188					
	30003131					
	30005274					