

[Redacted]

[Redacted]

External Sender: Do not click links or open attachments unless you recognize the sender and know the content is safe.

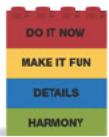
Yes Sir ,
The correct bumpers have been installed on the 10 Metro units.

[Redacted]

CAUTION: External Email. Determine if the email is legitimate before clicking links or opening attachments.

Ralph,
Please confirm from our phone conversation on 8/15/2025, the 10 Metro trailers with the incorrect rear impact guards were locked down at your Fleetco location in Lafayette Indiana, and the correct bumpers were installed prior to our inspection on 8/26/2025. Thank you

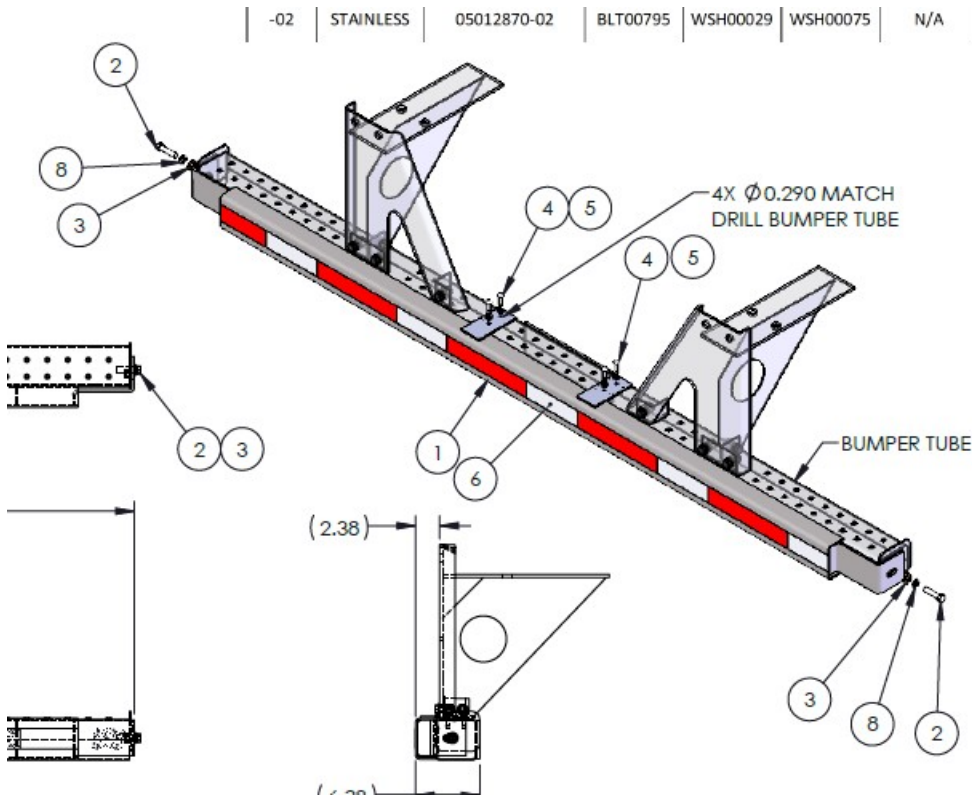
Sincerely,
[Redacted]



WABASH
1000 Sagamore Pkwy S
P.O. Box 6129, Lafayette, IN 47903
O: 765-771-5428 / M: 765-430-3509 / F: 765-771-5679



Ralph, this is what was supposed to be on the Metro's for a bumper extension. Do you have me any photos yet? Bumper stickers are on the way.



Sincerely,

John Gabriel
Sr. Warranty Technician



WABASH
1000 Sagamore Pkwy S

P.O. Box 6129, Lafayette, IN 47903

O: 765-771-5428 / M: 765-430-3509 / F: 765-771-5679

john.gabriel@onewabash.com

onewabash.com

Wabash Email Confidentiality Disclaimer and Notice: <http://onewabash.com/email-disclaimer>