

Bulletin #: AS-70-24		<input type="checkbox"/> Take Note <input checked="" type="checkbox"/> Take Action	
<input type="checkbox"/> Retail Operator	<input type="checkbox"/> Sales Pre-Owned	<input checked="" type="checkbox"/> Business Manager	<input checked="" type="checkbox"/> Parts & Accessories
<input checked="" type="checkbox"/> General Manager	<input type="checkbox"/> Sales New Bike	<input checked="" type="checkbox"/> Service	<input type="checkbox"/> Administration
Name: Alex Martin		Phone Number:	
Title: Email:		Source: Parts Logistics	
Date: 10/22/2024		Supersedes: -	

TEC697 CONTROL UNIT REVERSER

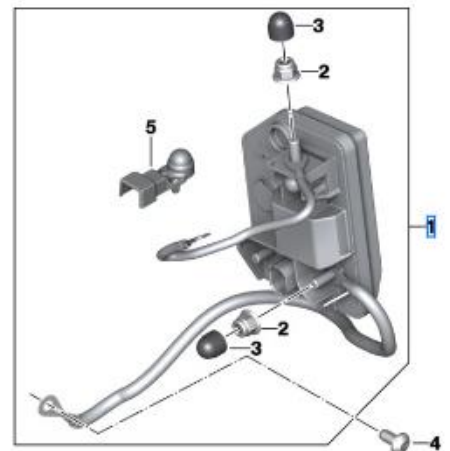
INSPECT OF ALL PARTS ON STOCK

OVERVIEW

BMW AG has requested the inspection of all dealer stock of the part numbers listed below to ensure all parts in stock are returned.

Description	Affected Part Number	New Part Number
Control Unit Reverser	61 35 9 444 031	61 35 5 B5C 703

- The image to the right shows the parts as depicted in ETK. Please see under "MORE DETAILS" section for information to determine affected stock to be returned.
- Affected stock must not be sold or installed on any motorcycle.
- Affected is all stock of new spare parts shipped and delivered to date only.
- Please return all incorrect part(s) to your facing Regional Distribution Center (RDC). Submit for return using a YR26 damage claim with order reason BM2. A valid BMW delivery and delivery item number must be entered, and 'TEC697' must appear in the text of your TEC claim. For assistance locating the delivery number, please open an IDS ticket with Dealer Services in the Claims section directed to Returns/Claims/Quality.



MAKE LIFE A RIDE



MORE DETAILS

- TEC697 is valid from October 22, 2024, through November 5, 2024. The deadline for filing a claim under TEC697 is November 5, 2024.
- All parts must be returned to your facing RDC no later than November 19, 2024.
- Please re-order as needed.

<p style="text-align: center;">Affected Parts (NOT OK)</p> <p style="text-align: center;">All parts on stock of 61 35 9 444 031.</p>	<p style="text-align: center;">Non Affected Parts (OK)</p> <p style="text-align: center;">Please order new part number 61 35 5 B5C 703.</p>
--	---

MORE QUESTIONS?

Aftersales Business Development Manager	Louise Daub	Louise.Daub@bmwna.com
Material Planning and Parts Logistics Analyst	Alex Martin	Alex.ma.Martin@bmwna.com
Aftersales Marketing Specialist	Adam Sacher	Adam.Sacher@bmwna.com

MAKE LIFE A RIDE