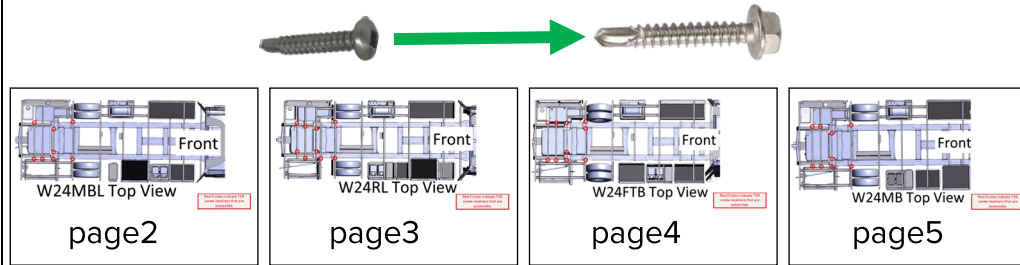


# SOP14977

## Wonder Rear Wall Bracket and Tek Screws CA#10556

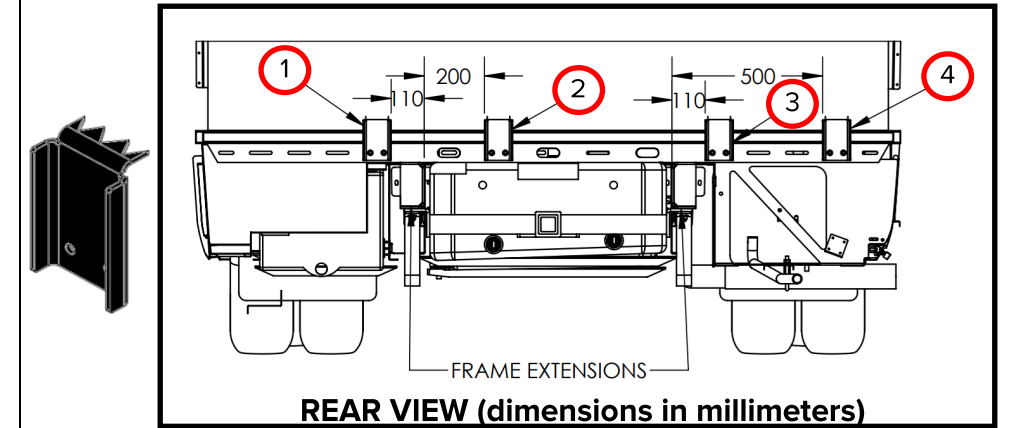
Department: 32  
 People Required: 1  
 Time to Complete: 2.0 hours  
 Date Created: Aug. 08/24  
 Date Revised: Rev #:  
 Created by Initial: BH Verified: BW/DH/  
 RW

Parts required (Kit B088376):

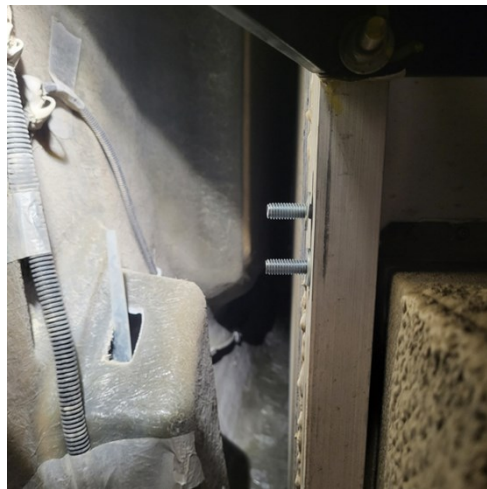


Cross members are fastened to the floor with #10 self tapping screws. Replace them with 141-0083 SCREW TEK 12-14x1" HWH.

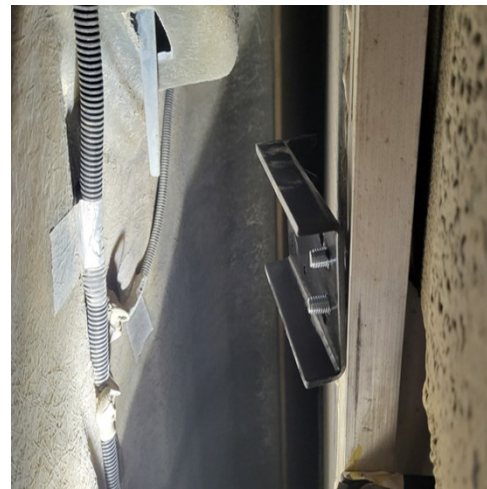
See pages 2-5 for floorplan specific locations.



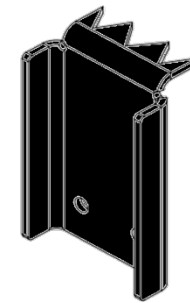
Place the brackets (B087582) as per dimensions above.



Place the carriage bolts 141-2753 into place cross member slotted holes as shown.



Place bracket onto carriage bolts as shown.



Place washers 141-3603 and nuts 141-2572 onto carriage bolts.



Using a prybar, place it between the bracket and cross member as shown.

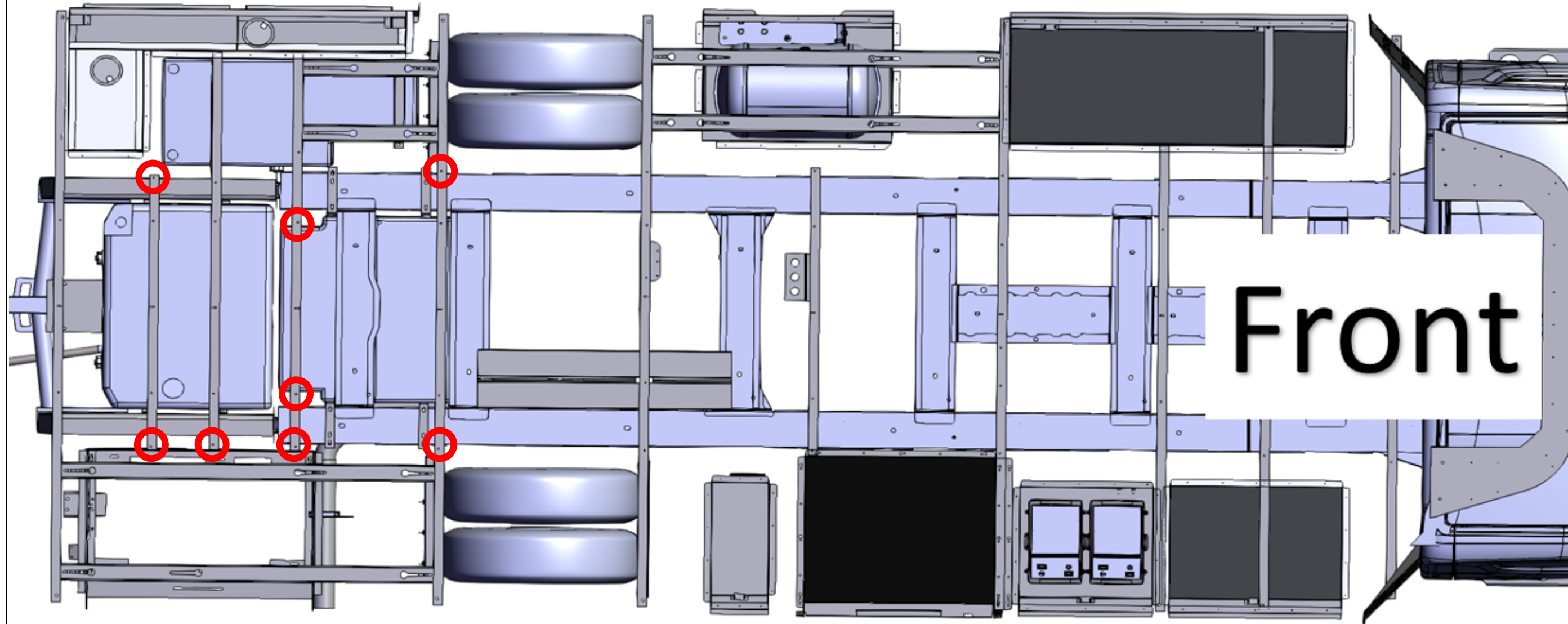


Pry the bracket until the teeth of bracket punctures the wall as shown.



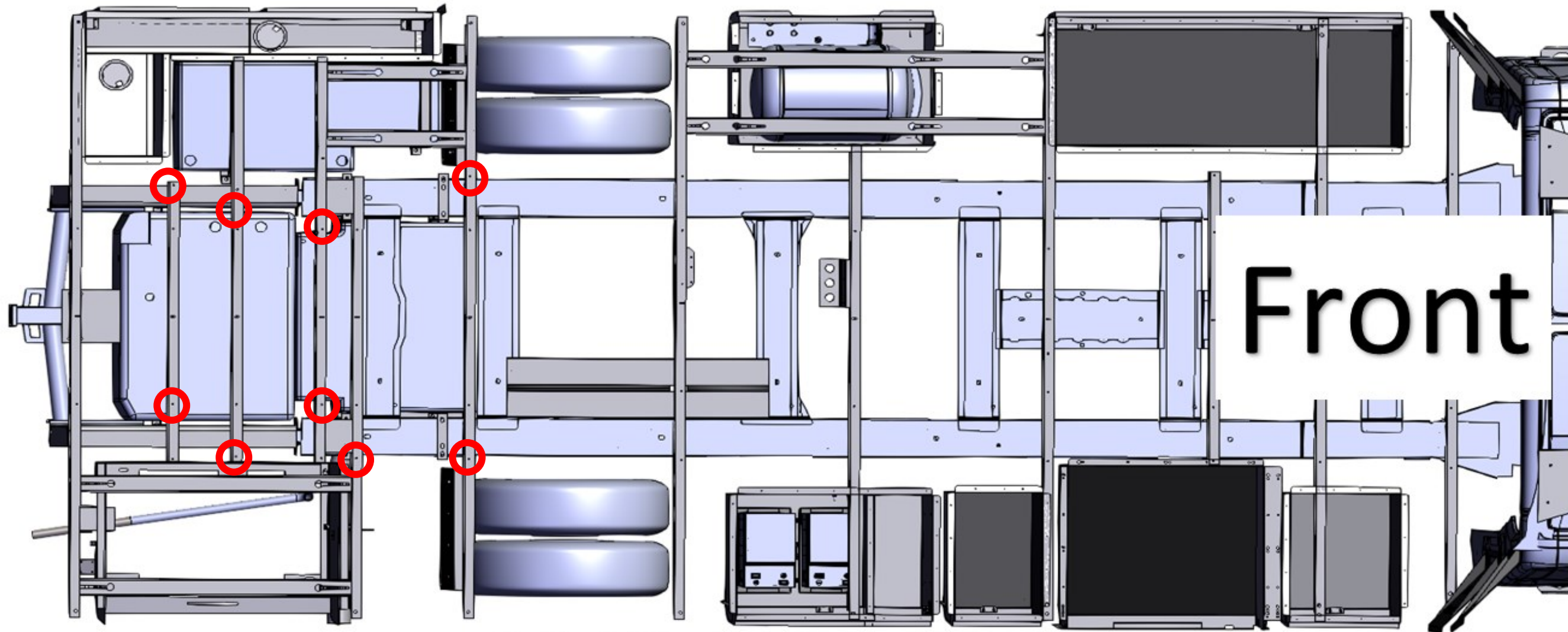
Tighten and torque nuts to 25 ft.lbs.

Repeat steps 4-9 for remaining three brackets.



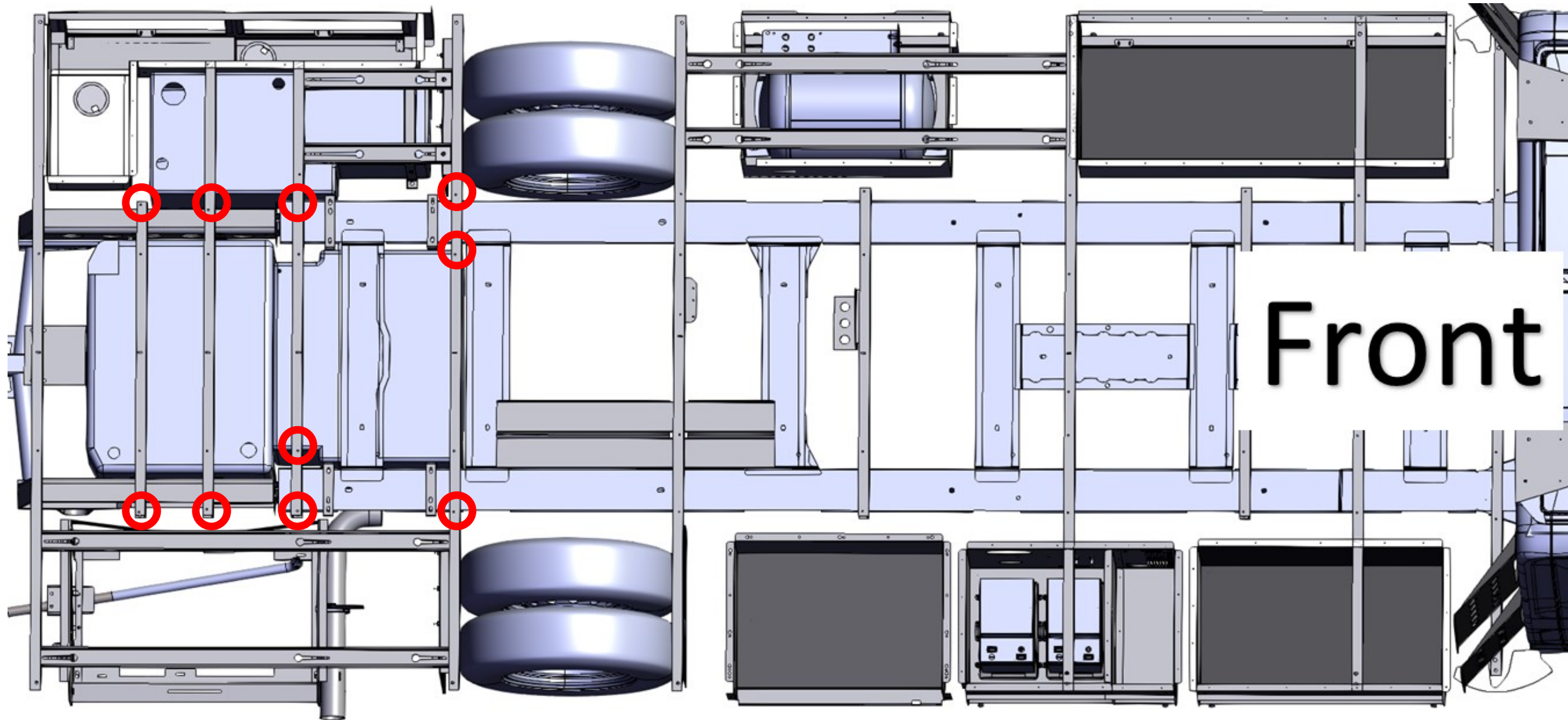
# W24MBL Top View

Red Circles indicate TEK  
screw locations that are  
accessible.



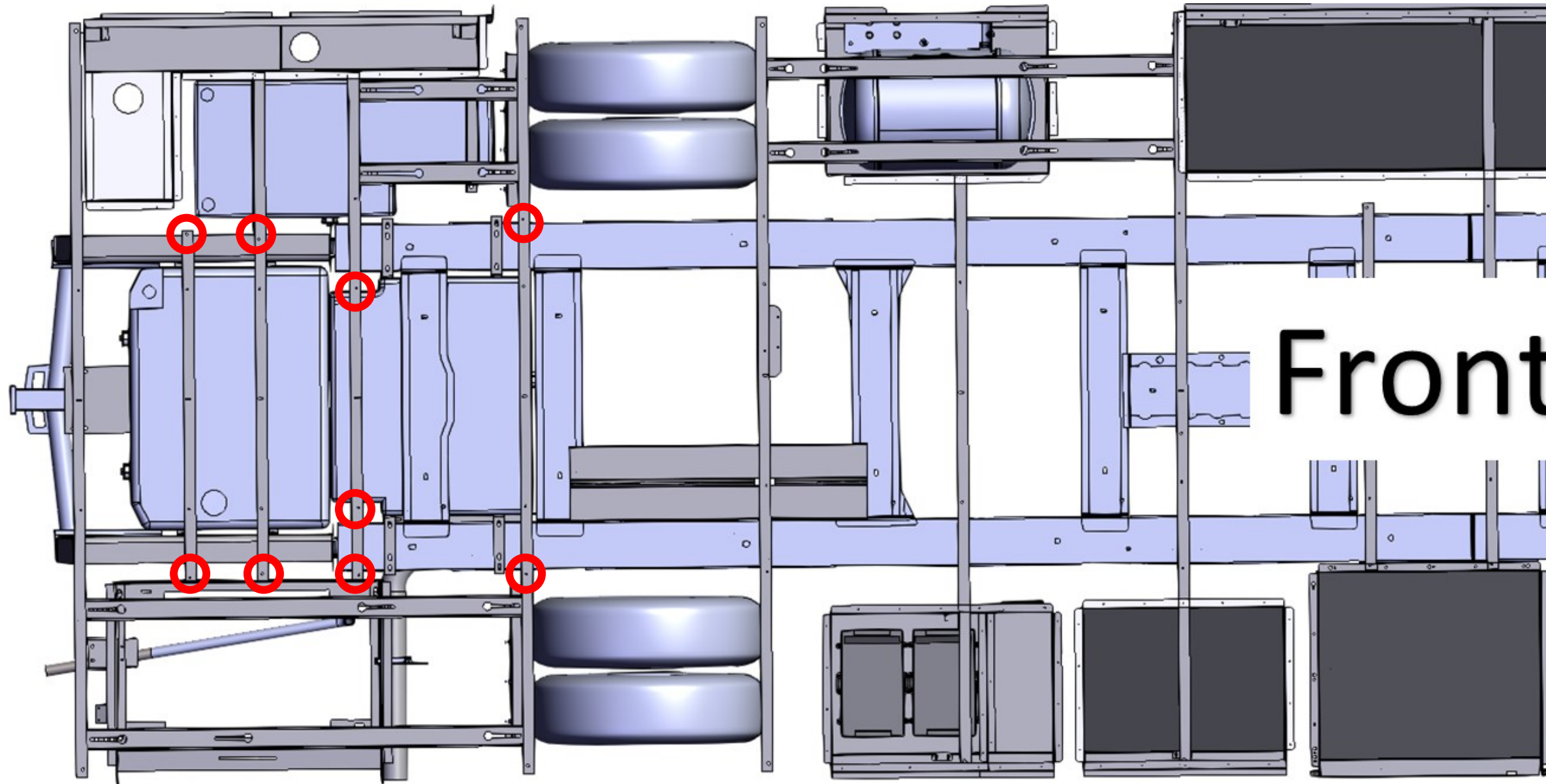
W24RL Top View

Red Circles indicate TEK  
screw locations that are  
accessible.



**W24FTB Top View**

Red Circles indicate TEK  
screw locations that are  
accessible.



**W24MB Top View**

Red Circles indicate TEK screw locations that are accessible.