

Safety Recall: 2025 Civic High Pressure Fuel Pump Leak

Supersedes Version 4 to revise the information at:

Under WARRANTY CLAIM INFORMATION, Description and Flat Rate Time information updated.

APPLIES TO

Year	Model	Trim Level	VIN Range
2025	Civic (non-Hybrid / 2.0L)	LX and Sport	Check iN VIN status for eligibility.

BACKGROUND

American Honda is announcing a **STOP SALE** and **safety recall** for certain model year 2025 Civic (non-Hybrid/2.0L) vehicles which may have improperly manufactured high-pressure fuel pumps.

A high-pressure fuel pump which was manufactured improperly can cause the fuel pump to fracture, leading to a fuel leak. A fuel leak in the presence of an ignition source may increase the risk of a fire or injury.

CUSTOMER NOTIFICATION

Owners of affected vehicles will be sent a notification of this safety recall. Do an iN VIN status inquiry to verify eligibility. Some vehicles affected by this campaign may be in your new or used vehicle inventory.

Failure to repair a vehicle subject to a recall or campaign may subject your dealership to claims or lawsuits from the customer or anyone else harmed as a result of such failure. To see if a vehicle in inventory is affected by this safety recall, do a VIN status inquiry before selling it.

CORRECTIVE ACTION

- **Vehicles fewer than 700 miles:** Check the 12-volt battery, perform the idle test procedure, then test the high-pressure fuel pump for a leak. Replace the high-pressure fuel pump if a leak is detected.
- **Vehicles 700 or more miles:** Test the high-pressure fuel pump for a leak. Replace the high-pressure fuel pump if a leak is detected.

CUSTOMER INFORMATION: The information in this bulletin is intended for use only by skilled technicians who have the proper tools, equipment, and training to correctly and safely maintain your vehicle. These procedures should not be attempted by “do-it-yourselfers,” and you should not assume this bulletin applies to your vehicle, or that your vehicle has the condition described. To determine whether this information applies, contact an authorized Honda automobile dealer.

WARRANTY CLAIM INFORMATION

Vehicles with 700 or More Miles

NOTE: For templates A or C, the odometer **must read 700 or more miles**.

Operation Number	Description	Flat Rate Time	Defect Code	Symptom Code	Template ID	Failed Part Number
1215A7	Inspect high pressure fuel pump for hydrocarbons. NO LEAK FOUND. No further action required.	0.4 hr	6YP00	MK600	A24124A	16790-6MA-J01

1211PC	Replace high pressure fuel pump, includes idle and hydrocarbon test with a leak detected.	2.2 hr	6YP00	MK600	A24124C	16790-6MA-J01
--------	---	--------	-------	-------	---------	---------------

Vehicles with Fewer Than 700 Miles

If the vehicle has **fewer than 700 miles**, do the idle test procedure prior to the inspection procedure and if it fails the test criteria, replace the high-pressure fuel pump.

NOTE:

- For templates D or F odometer must read **fewer than 700 miles**.
- After completion of the idle test, a warranty code will be generated. Please clearly note down the warranty code on the repair order. When submitting a claim enter the code in the test code field of the claim form. To retrieve a warranty code, go through Honda Diagnostic Cloud Website select AHM SSO and use your log in credentials.
- The gasoline consumed during the idle test procedure, under the inspection procedure, can be claimed up to \$25. Enter the amount under templates D sublet code O1.

Operation Number	Description	Flat Rate Time	Defect Code	Symptom Code	Template ID	Failed Part Number
1215B0	Do idle test procedure then test for hydrocarbons. NO LEAK FOUND. No further action required.	1.0 hr	6YP00	MK600	A24124D	16790-6MA-J01

1211PD	Replace high pressure fuel pump, includes idle and hydrocarbon test procedure with a leak detected.	2.8 hr	6YP00	MK600	A24124F	16790-6MA-J01
--------	---	--------	-------	-------	---------	---------------

PARTS INFORMATION

NOTE: The affected volume of vehicles is expected to be low. If a High Pressure Fuel Pump Assy. Service Kit is needed, order through the normal VIN Control Parts Ordering Program.

Part Name	Part Number	Quantity
High Pressure Fuel Pump Assy. Service Kit	06161-6MD-305	1

TOOL INFORMATION

Tool Name	Part Number	Quantity
Hydrocarbon Tester and Caps (3)	07AAJ-001A100	1
Honda Antares Capsule	BSEHAC001	1

INSPECTION PROCEDURE

- If the vehicle has **700 or more miles**, test for hydrocarbons at the high-pressure fuel pump. If it fails the test criteria, replace the high-pressure fuel pump.
- If the vehicle has **fewer than 700 miles**, do the Idle Test procedure, then test for hydrocarbons at the high-pressure fuel pump. If it fails the test criteria, replace the high-pressure fuel pump.

Important Notice

⚠ WARNING

Carbon monoxide gas is toxic and can rapidly accumulate in closed or even partly enclosed areas. Breathing in carbon monoxide gas can cause unconsciousness and even death. **Never** leave the vehicle on while parked in a garage or other areas with limited ventilation

- Verify the vehicle is in PARK prior to conducting the INSPECTION PROCEDURE.
- Leaving the key in the vehicle may result in the theft or other accidental movement of the vehicle. Make sure the key is in a safe location for **any** period during which the observation period of the INSPECTION PROCEDURE is conducted.
- Vehicles should be idled during the INSPECTION PROCEDURE in an open area, away from occupied locations and structures while still under the supervision of appropriate dealership personnel. The vehicle should be assessed at regular intervals to confirm correct operation. **Failure to do so** may result in the theft, and/or other damages to the vehicle as well as harm to individuals.
- Dealerships must comply with all other applicable laws and regulations whether federal, state, or local before and during completion of both the INSPECTION PROCEDURE and REPAIR PROCEDURE.

For vehicles with 700 or more miles, go to [Test the High-Pressure Fuel Pump for Hydrocarbons](#).

Idle Test Procedure (For vehicles with fewer than 700 miles)

1. Confirm the 12-volt battery is in good condition, see October 2024 Honda Service News [Long Term Maintenance and Care for Vehicles in Dealer Inventory](#).
2. Start the engine.
3. Make sure the A/C is turned OFF to prevent the radiator fan from running.
4. With the engine running, visually check the solenoid area of the high-pressure fuel pump for fuel leakage.

Is fuel leakage visible?

Yes – 1. Turn the vehicle to OFF mode.

1. Go to **step 10** of the [Test the High-Pressure Fuel Pump for Hydrocarbons](#) section and scan the QR code to order a replacement high-pressure fuel pump (No further testing required).

No – Proceed to the next step.

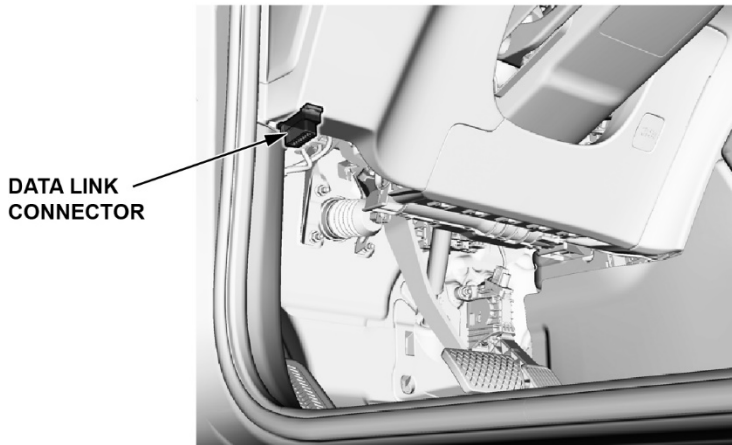


Look for leaks in this area.

5. Turn the vehicle to the OFF mode.
6. Read through the entire procedure fully before continuing with the inspection procedure.
7. Connect the Honda Antares Capsule (HAC) to the data link connector (DLC).

NOTE:

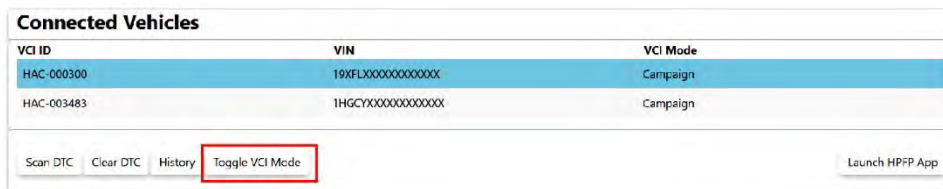
- Make sure your Honda Antares Capsule is registered and configured for Wi-Fi or mobile hotspot. Click here for more information: [Honda Antares Capsule Registration and Configuration quick start guide](#).
- **Do not** use the USB cable from the capsule for this test.
- Technical assistance for the Honda Antares Capsule (HAC) and i-HDS related applications is provided by the American Honda Special Tools Hotline at 1-833-949-4672.
Hours of operation are Monday to Friday, 7 AM to 5 PM Pacific Time.



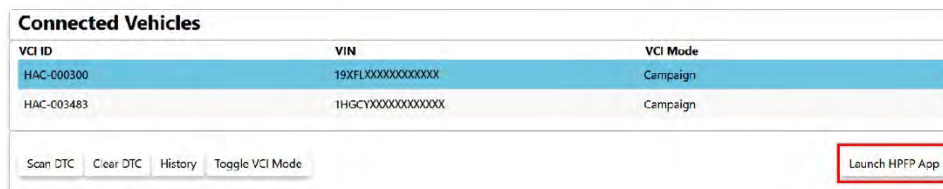
8. Start the engine.
9. Launch the Honda Diagnostic Cloud (HDC) website – <https://hondadiagnostics.com>
10. Select US Dealer.
11. Login using iN credentials.
12. On the Connected Vehicles screen, in the VCI ID column, find the serial number for the Antares capsule you will be using, and click to select.
13. Change the HAC VCI mode from Diagnostic Mode to Campaign Mode by clicking on the Toggle VCI Mode button.

NOTE:

- Campaign mode is for this procedure only. **For all other uses**, switch back to diagnostic mode by clicking the Toggle VCI Mode button.
- Tip: The Launch HPFP App button will only appear in Campaign mode.



14. Click on the Launch HPFP App button.



15. From the HP Fuel Pump Leak Pretest screen, select the Start New Pretest button

HP Fuel Pump Leak Pretest

This pretest procedure is completed in 3 steps :

1. Precondition the vehicle and let the engine idle for up to 13 hours
2. Return to confirm completion of engine idle phase
3. Prepare engine for Fuel Pump Leak Test

Before proceeding, your Honda Antares Capsule must be:

- Connected to the vehicle's DLC port
- Connected to your dealer's Wi-Fi network or mobile hotspot
- Configured for "Campaign Mode" on HDC

Select an option to continue :

Start New Pretest

Resume / Finish / Confirm Pretest

16. Confirm the Honda Antares Capsule ID, VIN, and Vehicle are correct, then click Next.

NOTE: If the VIN is not part of this campaign or the odometer value exceeds the test parameters, you will receive a notification.

HAC and VIN

Honda Antares Capsule ID:	HAC-000300
VIN :	19XFLXXXXXXXXXX
Vehicle:	2025 Honda CIVIC HYBRID

Back

Next

17. Prepare the vehicle for the test:

1. Ensure the fuel level is above 50%, but do NOT top off the tank.
2. Confirm the hood is completely closed and latched.
3. Buckle the driver's seat belt.

VIN: 1HGCYXXXXXXXXXX
Vehicle: 2023 HONDA ACCORD

Preconditions :

1. Ensure the fuel level is above 50% to allow a runtime of **10 hours**
2. Confirm the Hood is Closed
3. Start the vehicle
4. Buckle the Driver's Seat Belt to prevent the engine auto shut off

Fuel Level:	<input type="text" value="93.333 %"/>	Conditions Met?
Hood CLOSED :	<input type="text" value="Yes"/>	✓
Driver's Seatbelt BUCKLED :	<input type="text" value="Yes"/>	✓

After all conditions are met, click **Next** to proceed

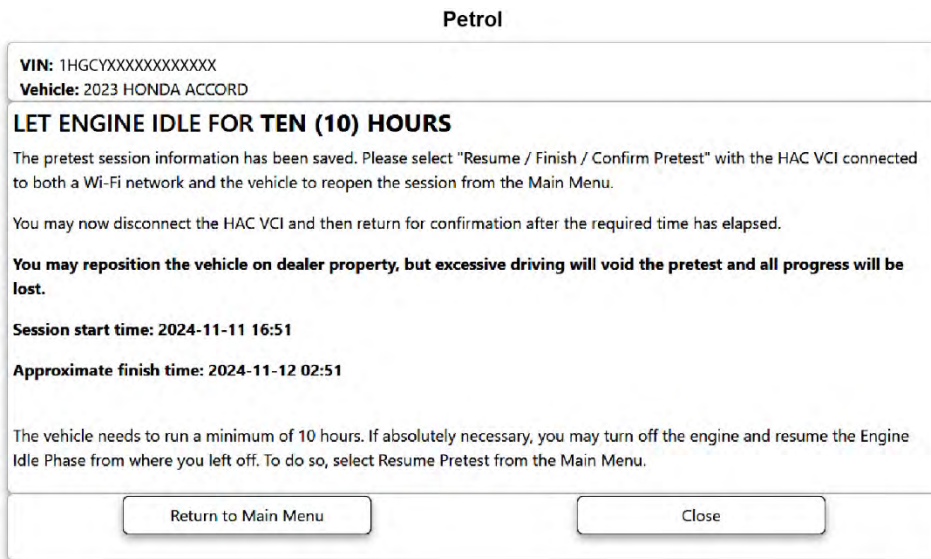
Back

Next

18. Select Next to start the test.

NOTE: The test cannot proceed if any of the conditions are not met.

19. Let the engine idle for up to 10 hours in a safe and monitored location.



20. The HAC can be removed at this time for use on other vehicles.

NOTE: If the engine idle phase must be interrupted by turning off the engine, the test can be resumed by following the instructions below.

Resuming a Test or Confirming a Status

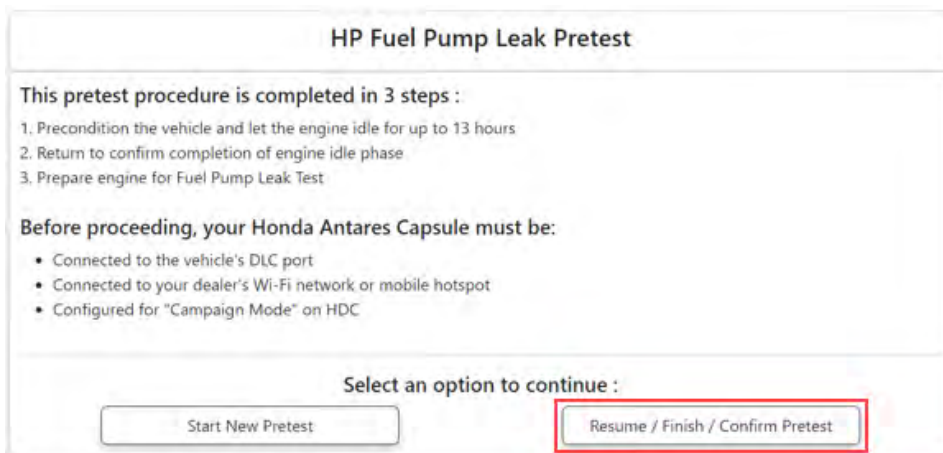
- Used when reconnecting to check test status.
- Used when resuming a test if the vehicle was turned off and the test was paused.

21. Connect the HAC to the DLC.

22. With the vehicle running, repeat steps 8 through 13 to reconnect to the vehicle.

NOTE: If the HAC is already in Campaign mode, skip step 12.

23. Resume or Confirm the test by selecting the Resume / Finish / Confirm Pretest button.



24. Find the VIN for the vehicle on the list, which should be in an **Unconfirmed status**, then click the VIN to open the test session.

NOTE: VINs in **Unconfirmed status** will be in blue text.

Select vehicle VIN below to confirm its status, or click Close to end.

Date :	Start Time :	VIN :	Year :	Make :	Model :	Status :	Warranty Code :
2024-11-12	08:53	19XFLXXXXXXXXXXXX	2025	Honda	CIVIC HYBRID	Unconfirmed	
2024-11-12	08:28	19XFLXXXXXXXXXXXX	2025	Honda	CIVIC HYBRID	Cancelled	
2024-11-12	08:00	1HGCVXXXXXXXXXXXX	2025	Honda	ACCORD HYBRID	Unconfirmed	
2024-11-12	07:56	1HGCVXXXXXXXXXXXX	2025	Honda	ACCORD HYBRID	Cancelled	
2024-11-12	07:36	1HGCVXXXXXXXXXXXX	2025	Honda	ACCORD HYBRID	Cancelled	
2024-11-12	07:18	19XFLXXXXXXXXXXXX	2025	Honda	CIVIC HYBRID	Cancelled	
2024-11-12	07:16	19XFLXXXXXXXXXXXX	2025	Honda	CIVIC HYBRID	Cancelled	
2024-11-12	06:55	1HGCVXXXXXXXXXXXX	2025	Honda	ACCORD HYBRID	Cancelled	
2024-11-11	16:51	1HGCVXXXXXXXXXXXX	2023	HONDA	ACCORD	Unconfirmed	
2024-11-11	15:04	1HGCVXXXXXXXXXXXX	2025	Honda	ACCORD HYBRID	Cancelled	

25. Confirm the HAC ID and VIN are correct. If the engine idle phase is NOT COMPLETED, select Resume Pretest.

NOTE: Test status and time remaining are displayed in the Pretest Status window.

Pretest Status

Engine Idle Phase is NOT COMPLETED

Honda Antares Capsule ID: HAC-000300
 VIN : 19XFLXXXXXXXXXXXX
 Vehicle: 2025 Honda CIVIC HYBRID

Engine idle phase was started: **2024-11-12 at 08:53**

Approximate remaining time in Engine Idle Phase: **9 hours**

IF THE ENGINE IS STILL RUNNING - Check the start time above and allow the engine to complete the engine idle phase. You may disconnect the HAC VCI and return for confirmation after the required time has elapsed.

IF YOU ARE RESUMING a previously incomplete engine idle phase, e.g. from yesterday, click **Resume Pretest** below.

Back
Resume Pretest
Close

If the engine idle phase is COMPLETED, select Next to proceed and skip to step 26.

Pretest Status

Engine Idle Phase is COMPLETED

Honda Antares Capsule ID : HAC-000300
 VIN :
 Vehicle :

Click **Next** to proceed to Fuel Pump Leak Test phase

Back
Next

26. Verify the preconditions are met. After selecting Next, follow the on-screen instructions and return to step 20 after the remaining time has elapsed.

VIN : 1HGCYXXXXXXXXXX
Vehicle : 2023 HONDA ACCORD

Preconditions :

1. Confirm the Hood is Closed
2. Start the vehicle
3. Buckle the Driver's Seat Belt to prevent engine auto shut off

Hood CLOSED :	<input type="text" value="Yes"/>	Conditions Met?	✓
Driver's Seatbelt BUCKLED :	<input type="text" value="Yes"/>		✓

After all conditions are met, click **Next** to proceed

27. Engine temperature must be above 176°F / 80°C to proceed. Click Next once the temperature is reached.

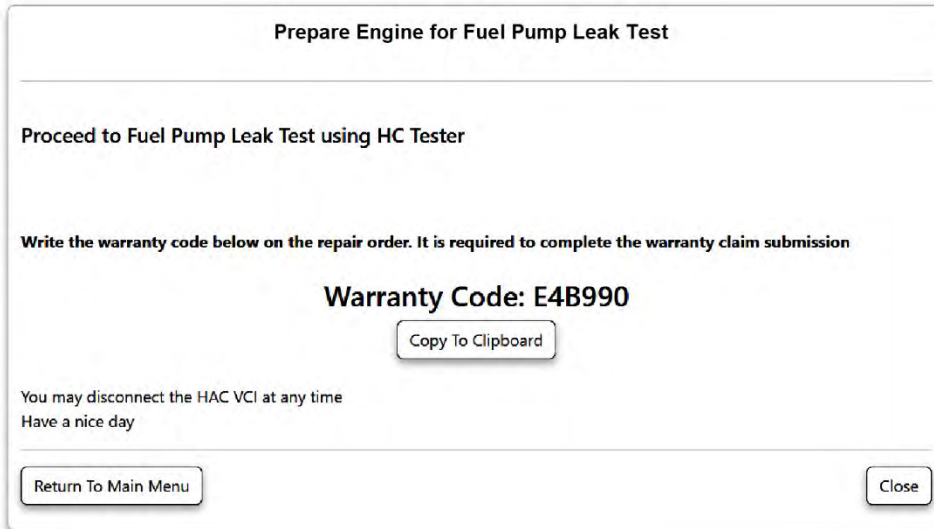
1. Ensure the Engine Coolant Temperature is above 176°F / 80°C

ECT in °F	<input type="text" value="179.6°F"/>	Conditions Met?	✓
-----------	--------------------------------------	------------------------	---

NOTE: If ECT is below the target temperature, place the vehicle into PGM-FI Maintenance Mode. HAC power will be lost momentarily, returning you to the Resume Test screen. Reselect VIN and proceed through previous steps to return to this screen.

28. Once the Idle Test has completed, proceed to test the fuel pump for hydrocarbons.

NOTE: The warranty code only indicates that the idle test has been completed, the hydrocarbon test using the HC tester must still be performed.



29. In humid areas water may accumulate in the exhaust. Start the engine then rev the engine 2-3 times.

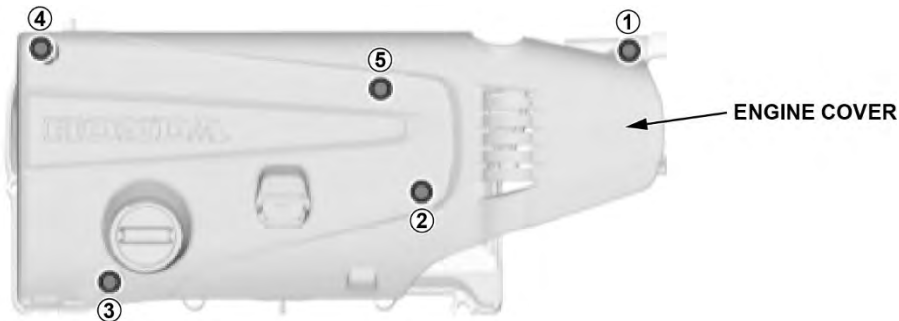
Test the High-Pressure Fuel Pump for Hydrocarbons

Click here to watch the video

▶ PLAY VIDEO

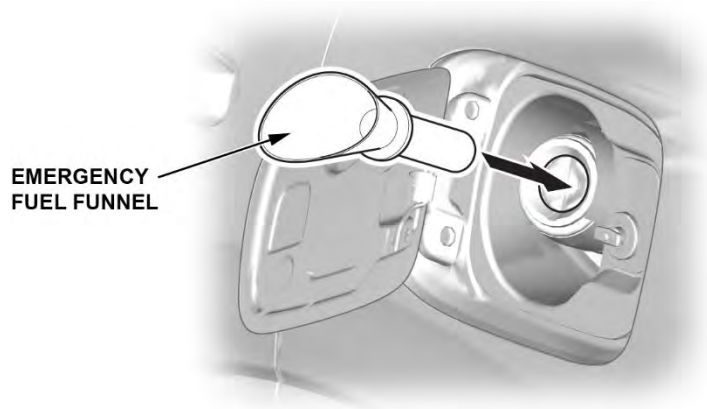
The video is verification the tester reads properly by checking the reading in the filler neck.

1. Remove the engine cover.



2. Verify the Hydrocarbon (HC) tester is operating properly:

1. **With the engine OFF**, install the emergency funnel in the filler neck.



2. Turn on the HC tester by pressing and holding the power button for **3 seconds**. Once powered, the tester will perform a self-check and calibration. Confirm the measurement on the screen is showing 0. Allow the tester to warm up for **30 seconds** before use.

NOTE: If the screen does not show 0 after the self-check, the self-check **was not successful**. Repeat the power-up process. If the tester still does not show 0, switch to a known good tester.

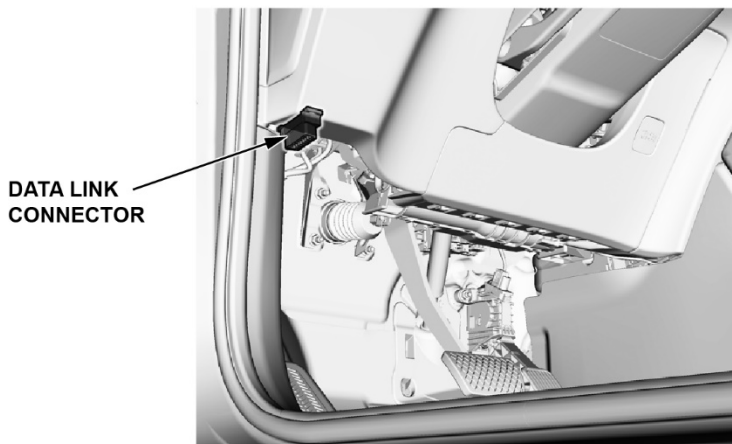


3. Insert the tip of the HC tester probe into the funnel and leave it there for up to **60 seconds**. If the tester produces a reading greater than 0, the tester is working; continue with the inspection process.



4. If there is no reading on the tester, switch to a different tester and repeat the verification process.

3. Connect the i-HDS to the data link connector located under the driver's side dash.



4. Start the engine and make sure the A/C is turned off to prevent the radiator fan from running.

5. Visually check the solenoid area of the high-pressure fuel pump for fuel leakage.

Is fuel leakage visible?

Yes – 1. Turn the vehicle to OFF mode.

1. Order a High-Pressure Fuel Pump Assy., Service Kit (No further testing required).

No - Proceed to the next step.



Look for leaks in this area.

6. Select PGM-FI from the i-HDS System Selection Menu. Use the i-HDS to monitor the engine RPM and the engine coolant temperature (ECT Sensor 1).
7. Run the engine at **4,000 rpm** for **at least 80 seconds**, and until the engine coolant temperature (ECT Sensor 1) reaches **176°F**, then let the engine return to idle.

NOTE: The engine will go into fuel cut above **4,000 rpm**, try to keep the RPM as close to **4,000** as possible.

▶ Vehicle Selection ▶ System Selection Menu ▶ PGM-FI ▶ Data List ▶

PGM-FI		
Signal	Value	Unit
Engine Speed	4213	RPM
Vehicle Speed	0	MPH
ECT Sensor 1 Voltage	0.69	V
ECT Sensor 1	185	°F

8. Hold the HC Tester probe to the test cap to verify that the test cap has no residual hydrocarbons. If there is a reading above 0 during the test, clean the test cap with soap and water and dry with a clean cloth.

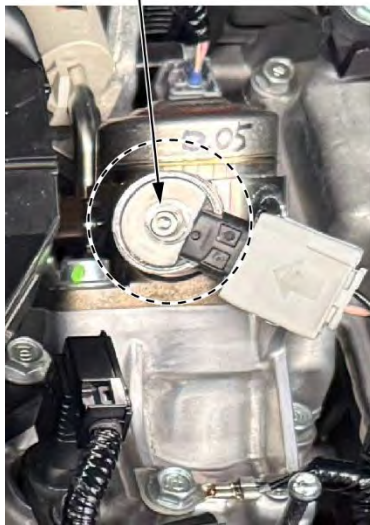
NOTE: **Do not** use anything other than soap and water to clean the test cap.

9. Slide the test cap over the end of the HC tester probe and secure it with the locking nut.



10. With the engine idling, attach the test cap on the HC tester to the high-pressure fuel pump solenoid. Make sure that the cutout in the test cap is aligned with the connector, then push to fully seat the cap. Leave the tester and test cap in place for **60 seconds** then check the reading on the display.

Install test cap here.



TEST CAP



HC Tester Reading	Action
0	Vehicle passed inspection; no repair is necessary. Close the recall.
1–10,000	Do the Retest Procedure below.

Retest Procedure

1. Turn the HC tester off and remove the test cap.
2. Turn on the Hydrocarbon (HC) tester by pressing and holding the power button for **3 seconds**. Once powered, the tester will perform a self-check and calibration. Confirm the measurement on the screen is showing 0. Allow the tester to warm up for **30 seconds** before use.
3. Clean the test cap with mild soap and water and dry with a clean cloth.
4. Retest the test cap for hydrocarbons. If the HC tester reading is above 0, use a different test cap.
5. Reattach the test cap to the HC tester.
6. Attach the test cap to the high-pressure fuel pump solenoid. Make sure that the cutout in the test cap is aligned with the connector, then push to fully seat the cap. Leave the tester in place for **60 seconds** then check the reading on the display.

HC Tester Retest Reading	Action
0	Vehicle passed inspection; no repair is necessary. Close the recall.
1–10,000	<ol style="list-style-type: none"> 1. Order a High-Pressure Fuel Pump Assy., Service Kit using the VIN Controlled Parts Ordering Process. 2. Continue to REPAIR PROCEDURE to replace the high-pressure fuel pump assembly. <p>NOTE: DO NOT return the vehicle to the customer until the repair procedure is completed.</p>

REPAIR PROCEDURE

WARNING

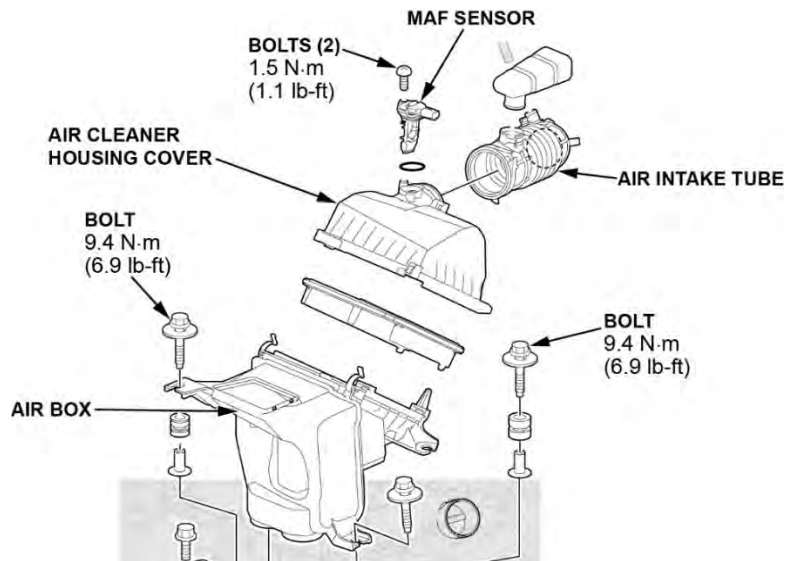
Fuel pump removal exposes fuel, which can ignite, causing a fire or explosion. This can cause serious injury or death. Always work in a well-ventilated area and keep sparks or open flames away.

- Refer to the [Fuel and Emissions Systems Service Precautions](#) before doing the procedure.
- Refer to the [Fuel Line/Quick-Connect Fitting Precautions](#) before doing the procedure

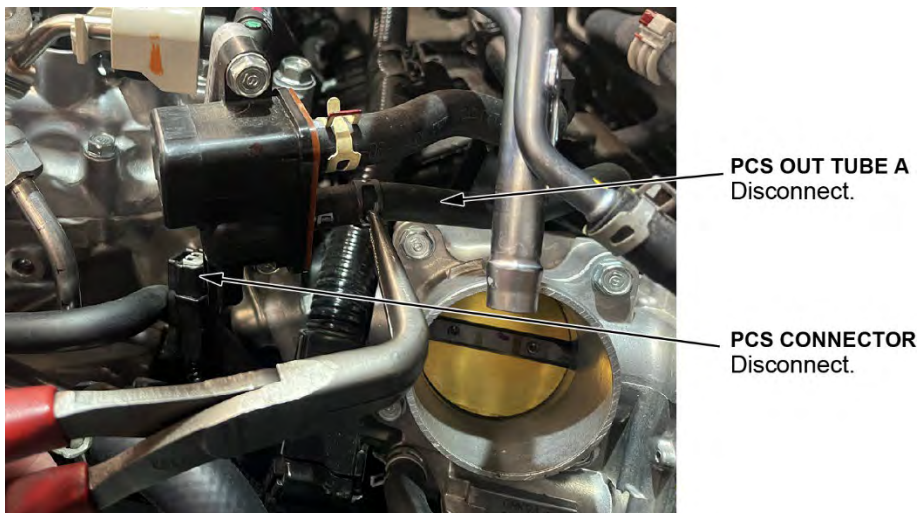
1. Do the [Fuel Pressure Relieving](#) procedure.
2. Disconnect the 12-volt battery.

[12 Volt Battery Terminal Disconnection and Reconnection](#)

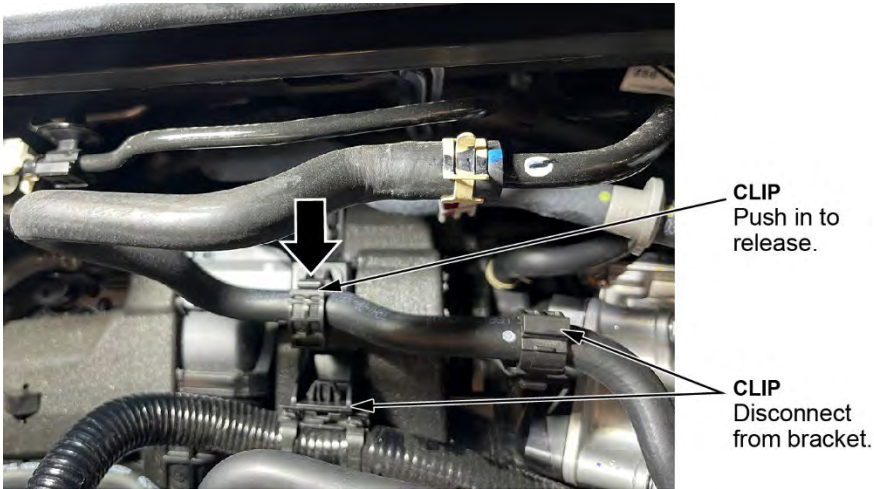
3. Remove the air cleaner assembly:
 1. Remove the air cleaner housing cover.
 2. Disconnect the MAF sensor.
 3. Remove the three bolts securing the air box.
 4. Loosen the bolt securing the air duct to the throttle body.
 5. Remove the air box with the air intake tube.



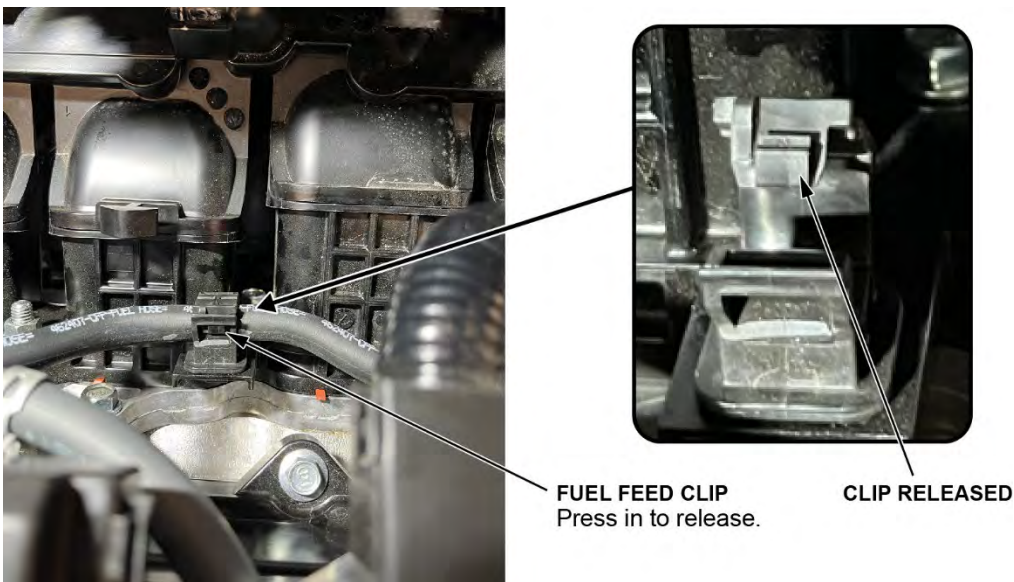
4. Disconnect the PCS connector.
5. Disconnect the PCS Out Tube A.



6. Release the purge line from the intake manifold clips.

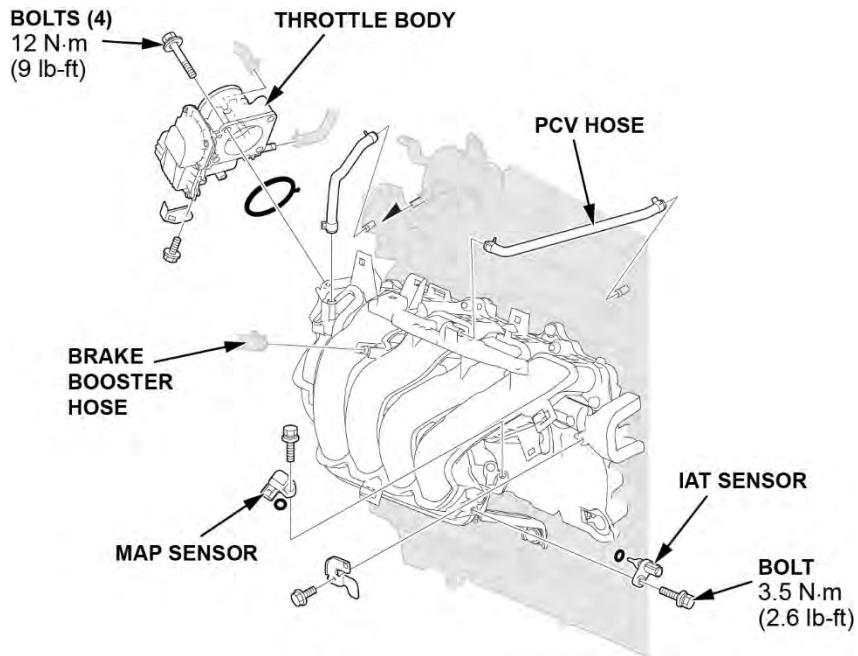


7. Disconnect the fuel feed clip from the intake manifold.



8. Remove the throttle body bolts.
9. Without disconnecting the coolant hoses, move the throttle body to the side to gain clearance to remove the intake manifold.
- NOTE: **Do not** excessively bend or stress the coolant hoses.

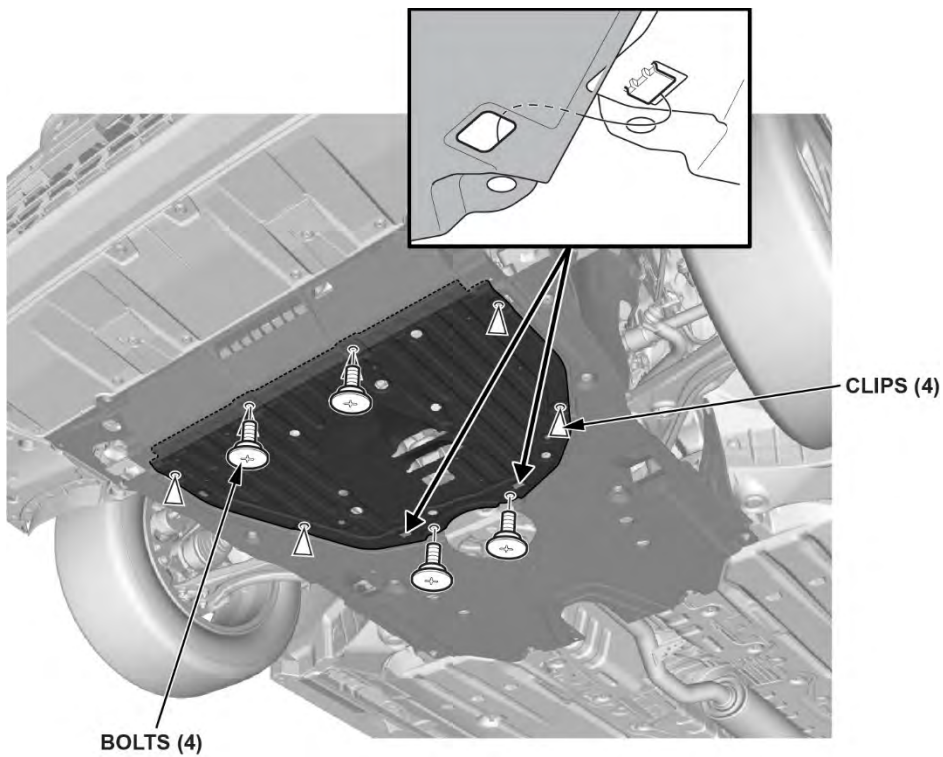
10. Disconnect the following:
 1. Brake booster hose from the intake manifold
 2. PCV hose from the intake manifold
 3. Intake Air Temperature (IAT) sensor 2
 4. Map sensor



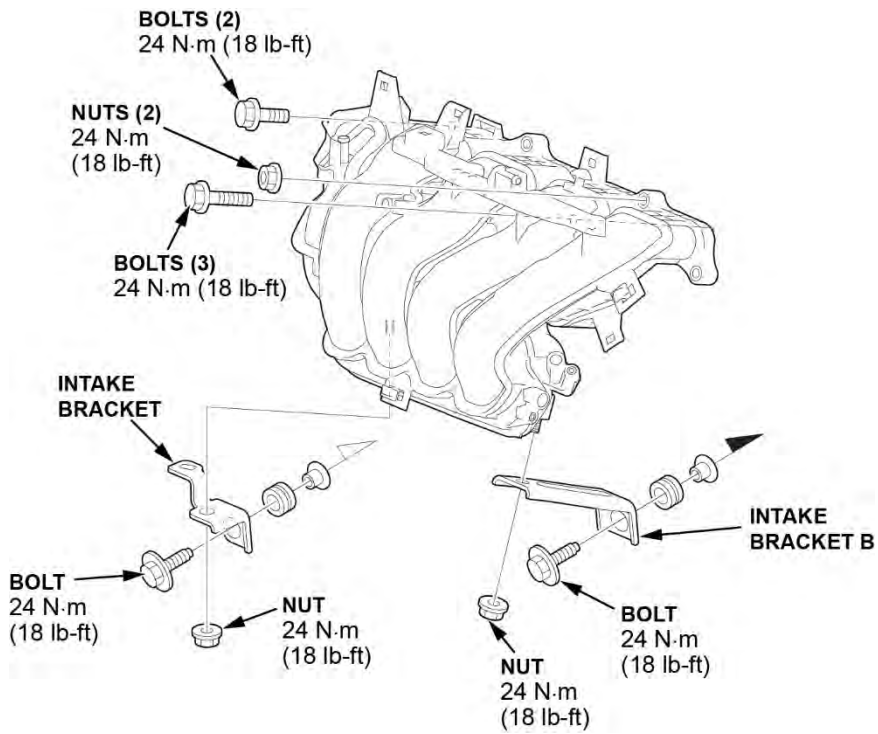
11. Lift the vehicle

- [Lift and Support Points](#)

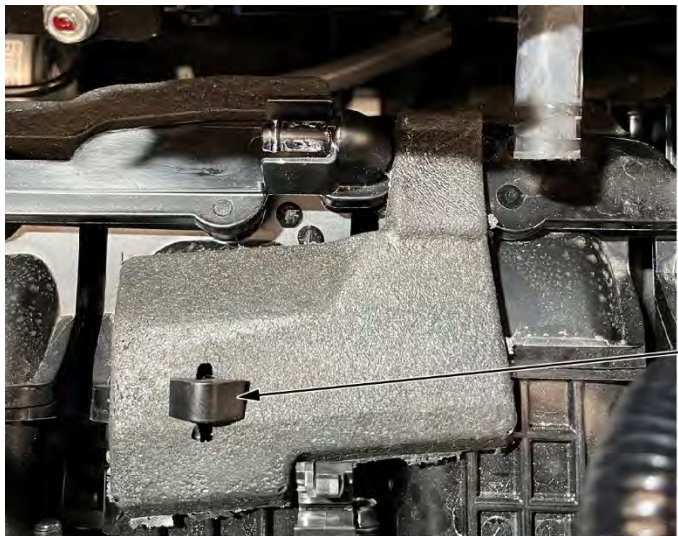
12. Remove the engine undercover plate.



13. With the vehicle in the air, remove the intake bracket and intake bracket B.



14. Gently pull back the sound deadening to allow access to the intake manifold bolts.

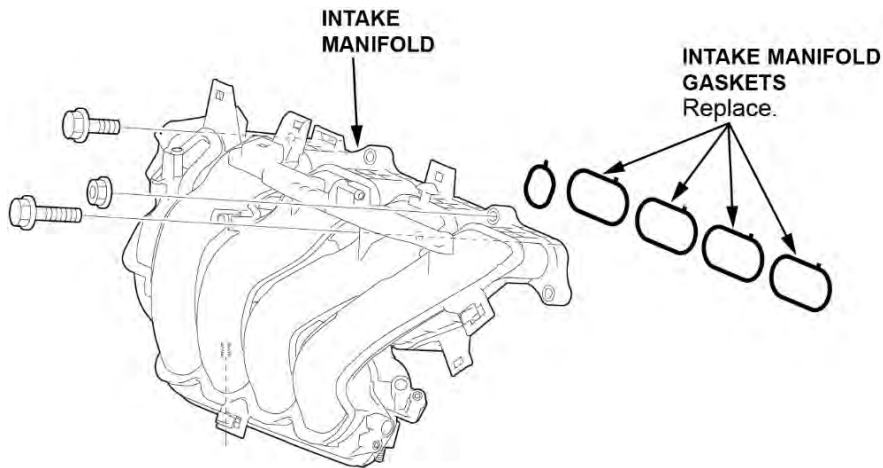


Gently pull back the sound deadening to access the intake bolts.

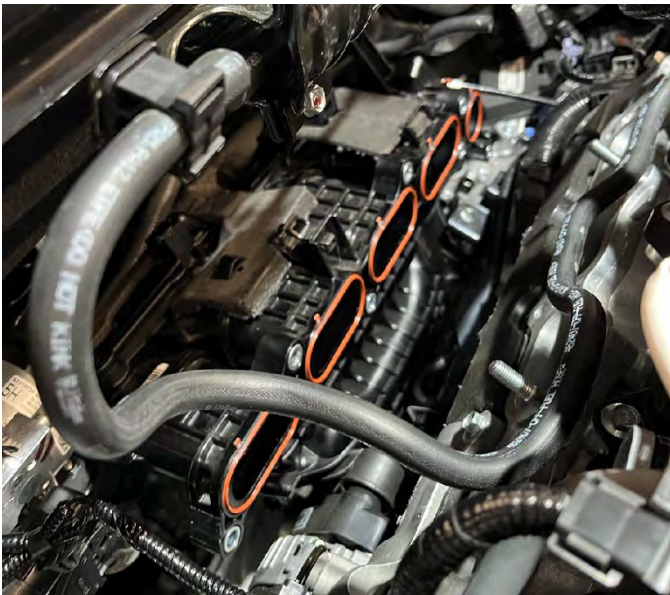
15. Remove the 5 bolts and 2 nuts securing the intake manifold.

NOTE:

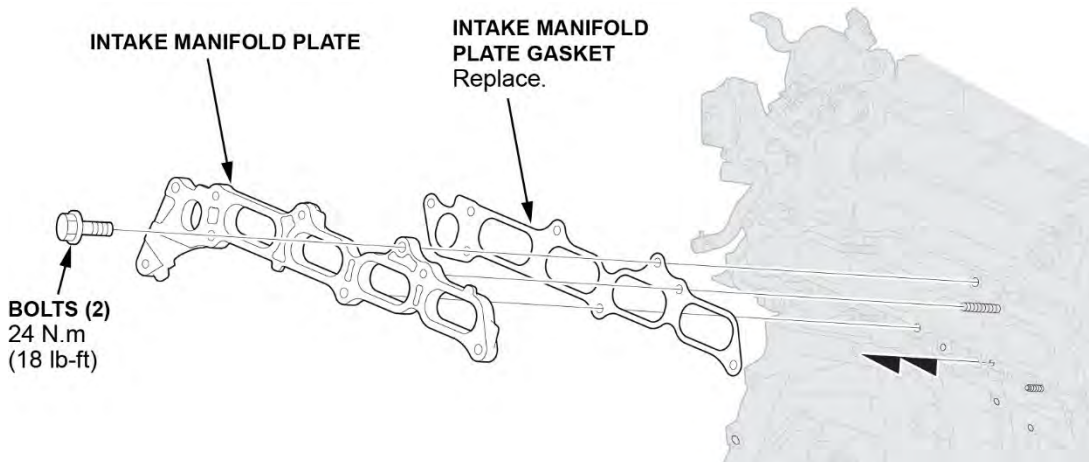
- Make sure all 5 bolts and 2 nuts are removed before attempting to move the intake manifold.
- There are two different length bolts securing the intake manifold. Note the locations of the bolts while removing, to ensure they are returned to their proper location during assembly.



16. Gently move the intake manifold away from the cylinder head.



17. Remove the two bolts securing the intake manifold plate.

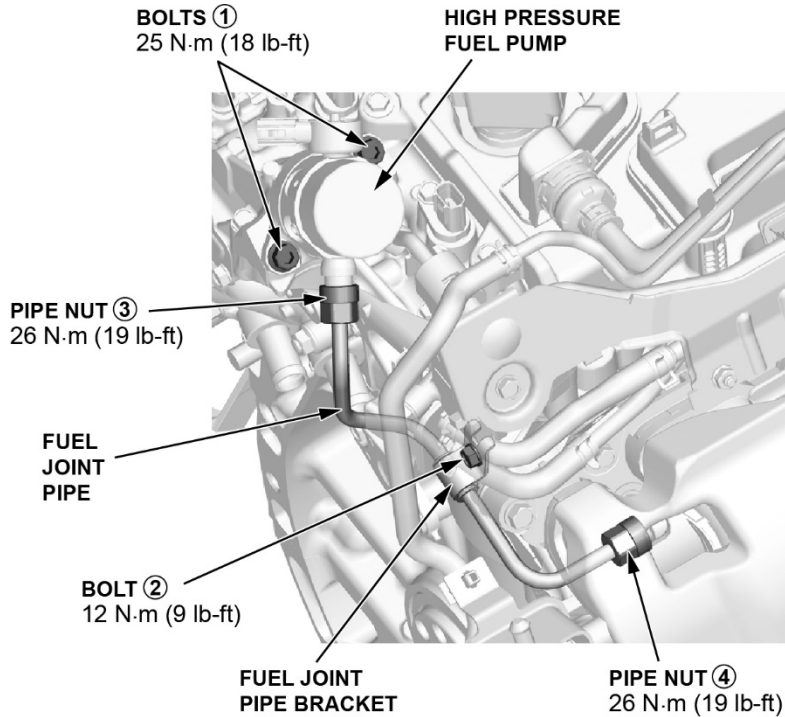


18. Disconnect the fuel feed pipe from the high-pressure fuel pump.

19. Remove the fuel joint pipe.

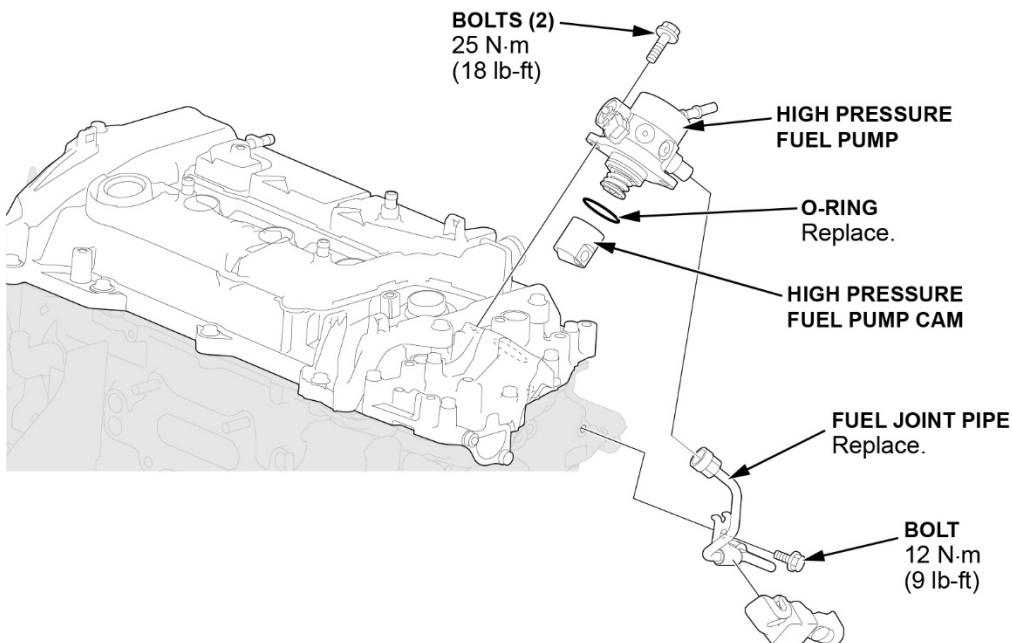
NOTICE

- The fuel joint pipe cannot be reused once it has been removed or loosened. Failure to install a new fuel joint pipe **will cause** fuel leaks.



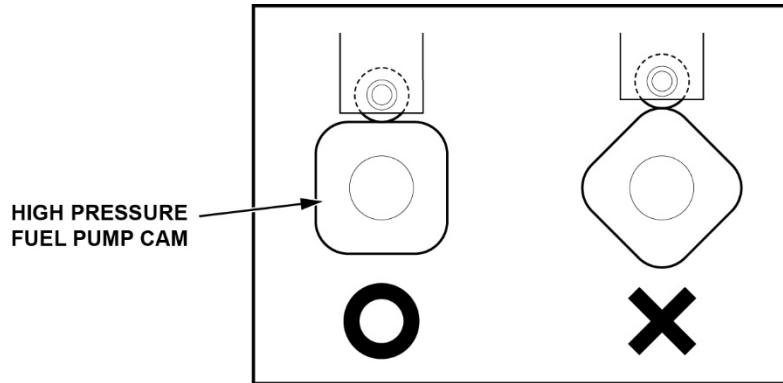
20. Remove the high-pressure fuel pump.

NOTE: Loosen the high-pressure fuel pump bolts alternately.



21. Install the new high-pressure fuel pump:

1. Check the position of the high-pressure fuel pump cam. If needed, rotate the crankshaft to set it to the flat position.



2. Lubricate the O-ring on the new high-pressure fuel pump with engine oil.
3. Tighten the high-pressure fuel pump bolts in an alternating pattern until the pump is in contact with the fuel pump base.

NOTE:

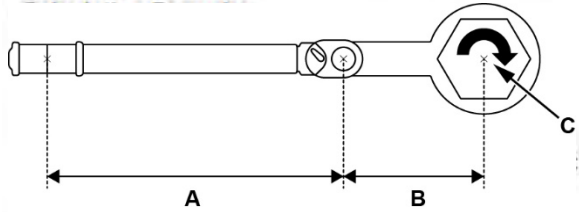
- **Do not** final torque at this time.
- To prevent damage to the O-ring, **do not** use any power tools (pneumatic or electric).

22. Install the new fuel joint pipe and hand tighten the nuts and stay bolt.

23. Torque the high-pressure fuel pump and joint pipe nuts and bolts in sequence to specification.

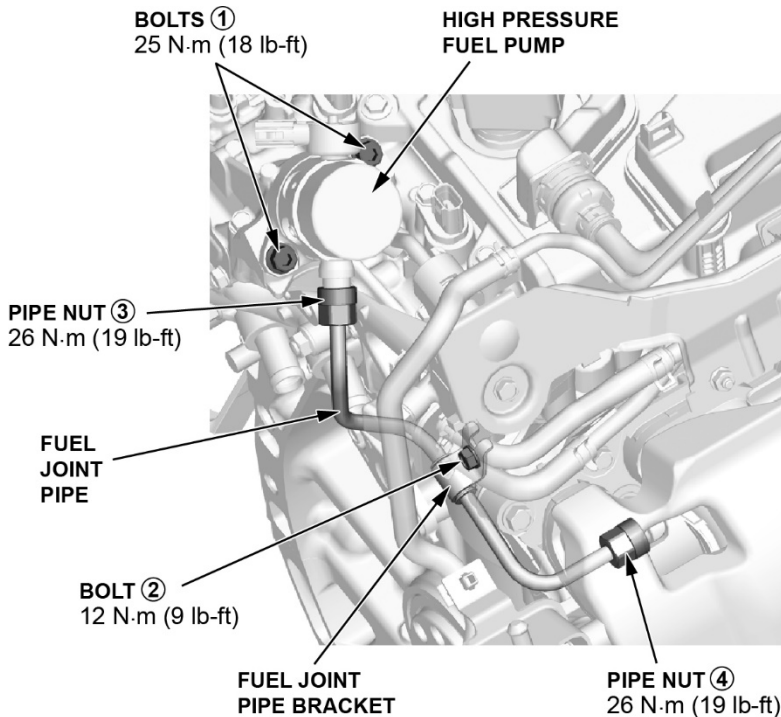
NOTE: When using some special tools or crowfoot-type wrenches, the torque value changes due to the added leverage. The actual torque applied will be greater than the torque reading shown.

- The torque specification given is the actual torque, not the reading on the torque wrench.
- To compensate for this additional leverage, use the formula below to calculate the torque value reading on the torque wrench.
- Always use the special tool or crowfoot-type wrench in a straight line with the torque wrench, or you will apply improper torque.

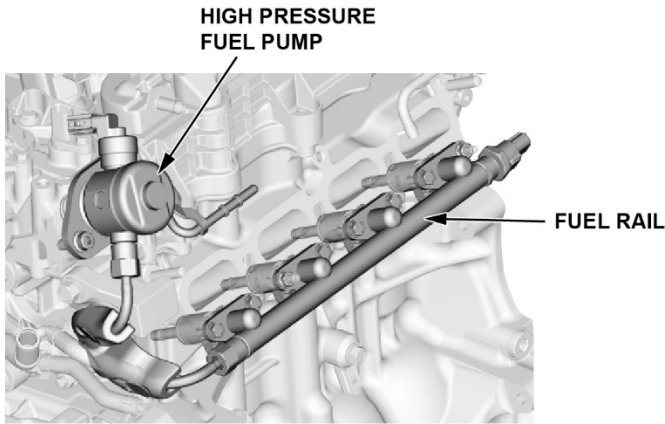


$$\text{Reading of the torque wrench} = \frac{\text{Torque wrench effective length (a)} \times \text{Specified torque (c)}}{\text{Torque wrench effective length (a)} + \text{Special tool/crowfoot type wrench effective length (b)}}$$

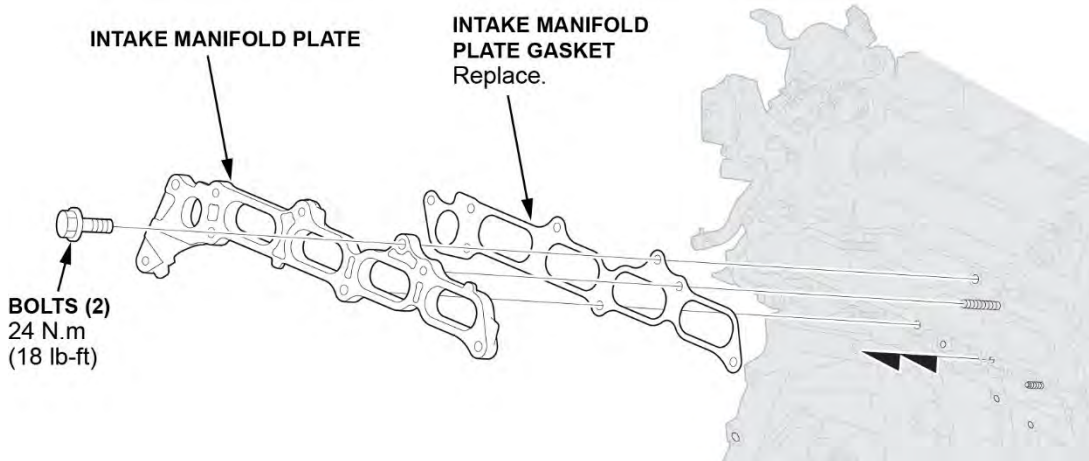
Step	Operation	Object	Detail
1	Hand Tighten	③, ④	The end of the joint pipe is seated on the fuel rail or high-pressure fuel pump.
2	Loosely Install	②	Install the fuel joint pipe bracket to the cylinder head, and loosely install it.
3	Tighten	All Bolts and Nuts	① → ② → ③ → ④



24. Apply commercially available Met-L Check D-70 Developer to the fuel rail and the high-pressure fuel pump connections.



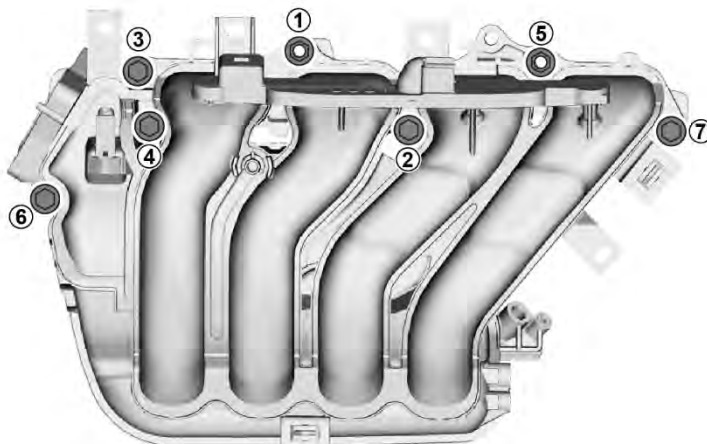
25. Install the intake manifold plate with a new gasket and torque to specification.



26. Install the intake manifold with new gaskets and torque to **24 N·m (18 lb-ft)** in sequence.

Tightening Procedure

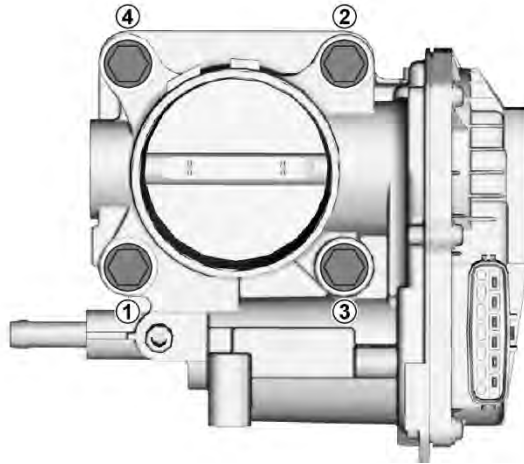
Step	Operation	Object	Detail
1	Temporary Tighten	All Bolts and Nuts	Until the bolts and nuts are seated on the intake manifold
2	Temporary Tighten	All Bolts and Nuts	Until the gasket is compressed
3	Tighten	All Bolts and Nuts	①→②→③→④→⑤→⑥→⑦



27. Install the throttle body and torque the bolts to **12 N·m (9 lb-ft)** in sequence.

Tightening Procedure

Step	Operation	Object	Detail
1	Temporary Tighten	All Bolts and Nuts	Until the bolts and nuts are seated on the intake manifold
2	Temporary Tighten	All Bolts and Nuts	Until the gasket is compressed
3	Tighten	All Bolts and Nuts	①→②→③→④



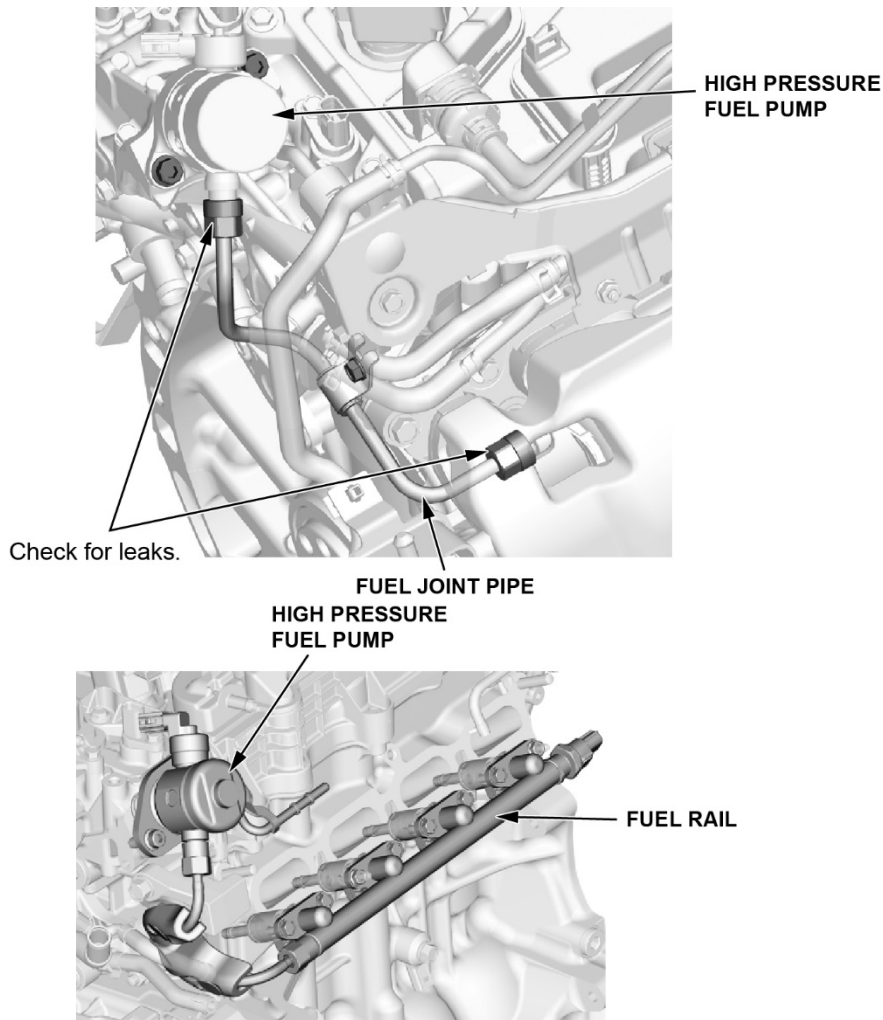
28. Install the remaining parts in the reverse order of removal.

29. Reconnect the 12-volt battery.

- [12 Volt Battery Terminal Disconnection and Reconnection](#)

30. Start the engine and check for fuel leaks:

- Set the probe of the HC tester on the joint pipe connections and the fuel rail. If hydrocarbons are detected, repair the leak and retest.



31. Do the [Steering Angle Neutral Position Learning](#).

32. Do the [PCM Reset](#).

33. *California residents only:* Fill out a Vehicle Emissions Recall – Proof of Correction certificate and use **MK6** as the recall number. Have the service advisor give the certificate to your customer and advise him or her to keep it as proof that the recall was completed. Your customer will need to submit this certificate to the DMV only if the DMV requests it. If you need more certificates, use reorder number **Y0657**.

Vehicle Emission Recall - Proof of Correction				
License Number	Make	Year Model	Body Type	Vehicle Identification Number
Manufacturer			Recall Number MK6	
The above described vehicle has been repaired, modified and/or equipped with emission control devices to meet applicable California Emission Control Laws.				
Dealer's Name		Address, City, State and Zip		
Date		Dealership's Authorized Signature		
		X		
Return this certificate to DMV only when required - otherwise retain for your records.				
Y0657		ACL 24832 (0212)		