



Spartan Fire, LLC



RECALL SERVICE BULLETIN RSB24-330-001

DATE: 7/26/2024

APPLIES TO: This service bulletin applies to certain model year 2017 Gladiator model emergency response chassis cabs built between November 17, 2016 and November 18, 2016.

NHTSA/TC Id: 24V453

CONDITION: Certain vehicle configurations may fail to comply with service brake application timing requirements identified in Federal Motor Vehicle Safety Standard No. 121 – Air Brake Systems

CORRECTION: Replace quick release valve

LABOR ALLOCATION: 1 hour

CLASSIFICATION: E3

PARTS NEEDED:

<u>QTY</u>	<u>Part Number</u>	<u>Description</u>
1	0832-MM5-007	Valve-QR1 0 PSI
2	05180125H5Z	Bolt 5/16-18x1.25 Hex Gr5 Zn
4	05FWSAEZ	Washer Flat 5/16" Zinc
2	0518LNZ	Nut Lock 5/16-18 Zinc
1	0716-MM5-BB10	Fit Brss M Elbow 8-6
2	0716-MM5-Y12	Conn Brss M 8-6

GENERAL INSTRUCTIONS:

Thoroughly review entire service bulletin before starting work. If there are questions or concerns with steps defined in this service bulletin, contact Spartan Fire, LLC. Customer & Product Support Group.

All applicable industry safety standards must be followed when performing work identified in this procedure.

Service Bulletins are intended for use by Professional Technicians only. They are written to guide Professional Technicians in performing service to vehicles of specific nature in conjunction with industry standards. Professional Technicians are appropriately trained on industry standards and have the tools and equipment to perform procedures safely and properly.



STEP-BY-STEP INSTRUCTIONS:

1. Properly support chassis to gain access to work underneath.
2. Locate air tanks and drain all air from tanks.
3. Prepare the new quick release valve 0832-MM5-007 (*Item 1*) by installing 0716-MM5-BB10 (*Item 2*) into top port of quick release valve and 0716-MM5-Y12 (*Item 3*) into side ports of quick release valve. See *Figure 2.1*.

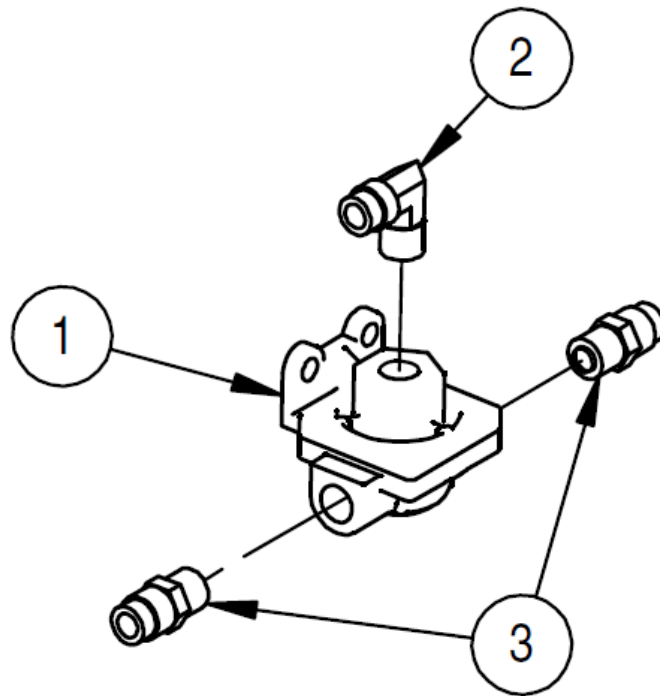


Figure 2.1

Service Bulletins are intended for use by Professional Technicians only. They are written to guide Professional Technicians in performing service to vehicles of specific nature in conjunction with industry standards. Professional Technicians are appropriately trained on industry standards and have the tools and equipment to perform procedures safely and properly.



4. Locate quick release valve located on front steering cross member. *See Figure 3.1*

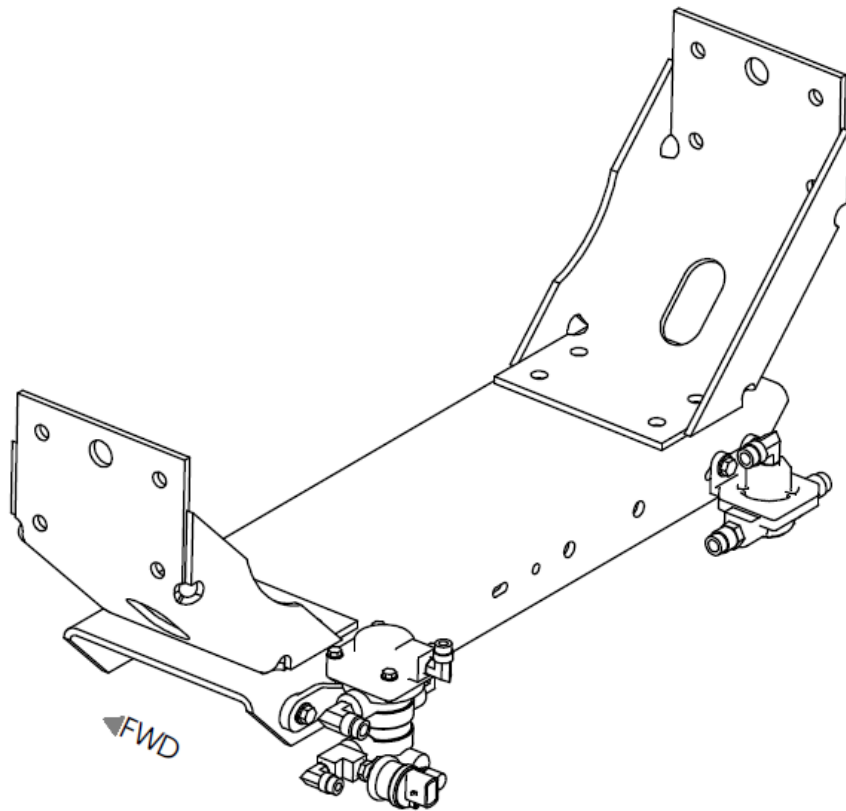


Figure 3.1

5. Remove hoses from quick release valve. Label hoses to insure they are installed on new quick release valve correctly.
6. Remove quick release valve from cross member.
7. Dispose of quick release valve and fittings appropriately.

Service Bulletins are intended for use by Professional Technicians only. They are written to guide Professional Technicians in performing service to vehicles of specific nature in conjunction with industry standards. Professional Technicians are appropriately trained on industry standards and have the tools and equipment to perform procedures safely and properly.



8. Install new quick release valve to cross member in same location using bolt part number 05180125H5Z (*Item 4*), washer part number 05FWSAEZ (*Item 5*) and nut part number 0518LNZ (*Item 6*). See *Figure 4.1*.

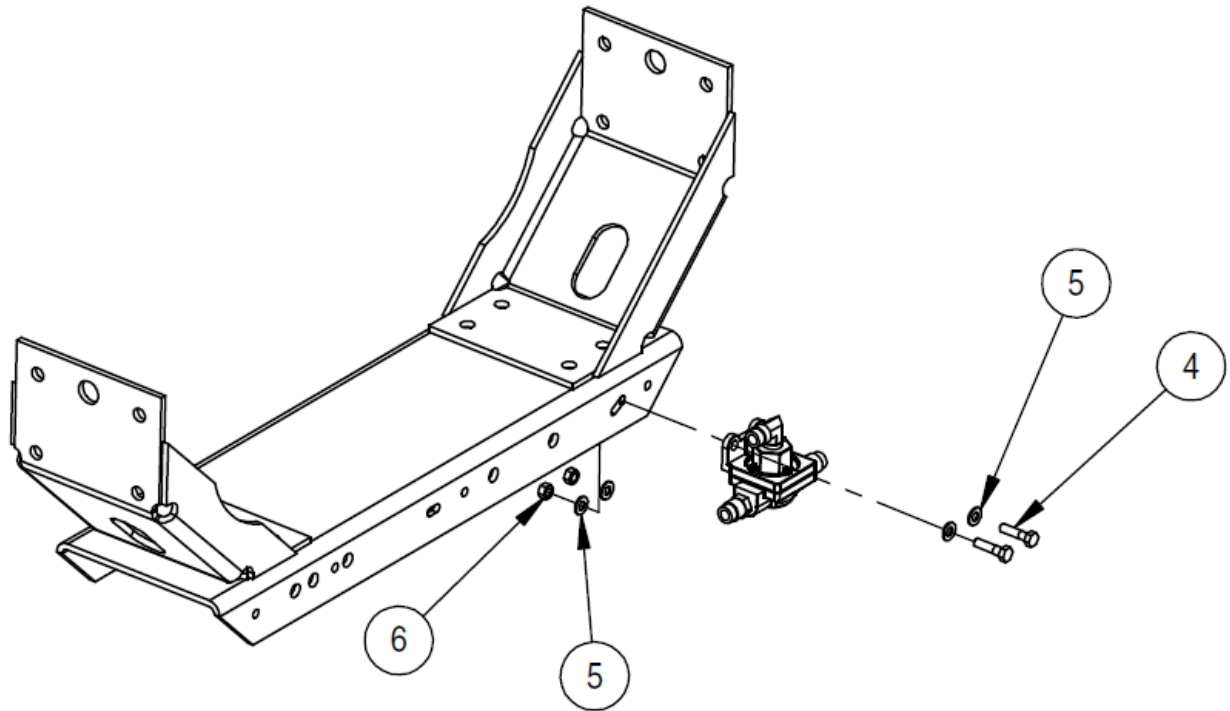


Figure 4.1

9. Install brake lines to quick release valve.
10. Fill air system and check for air leaks.
11. Connect with Wabco Toolbox and use the directions below to ensure front abs modulators are functioning properly.

Service Bulletins are intended for use by Professional Technicians only. They are written to guide Professional Technicians in performing service to vehicles of specific nature in conjunction with industry standards. Professional Technicians are appropriately trained on industry standards and have the tools and equipment to perform procedures safely and properly.



The Active Braking Valves can be cycled using WABCO TOOLBOX™ Software.

To cycle the ABVs, choose the option "Valves" from the "Component Tests" drop-down menu. Figure 5.26. Or if you are using TOOLBOX™ Software version 11 or higher, from "Components". Figure 5.27.

Fig. 5.26

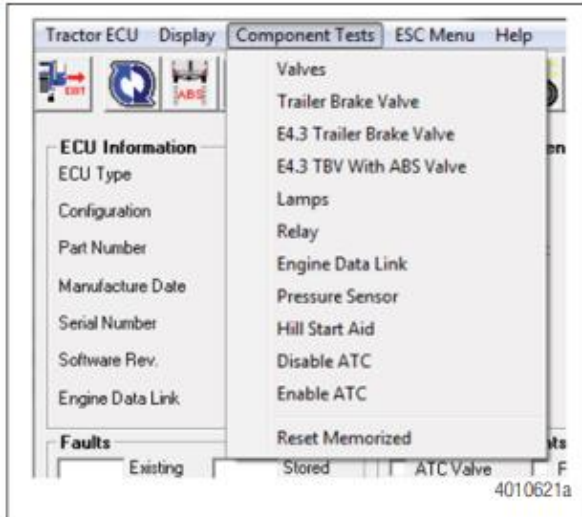
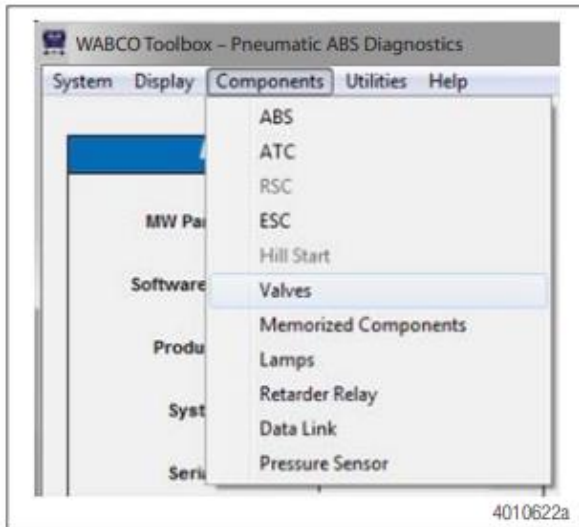


Fig. 5.27



Service Bulletins are intended for use by Professional Technicians only. They are written to guide Professional Technicians in performing service to vehicles of specific nature in conjunction with industry standards. Professional Technicians are appropriately trained on industry standards and have the tools and equipment to perform procedures safely and properly.



The valve selection screen will appear where you can choose to cycle Front Axle ABV, Rear Axle ABV or Trailer ABV individually. Figure 5.28 or Figure 5.29.

Then, listen to ensure the correct valve is cycling. This is helpful in verifying correct operation, installation and wiring.

Fig. 5.28

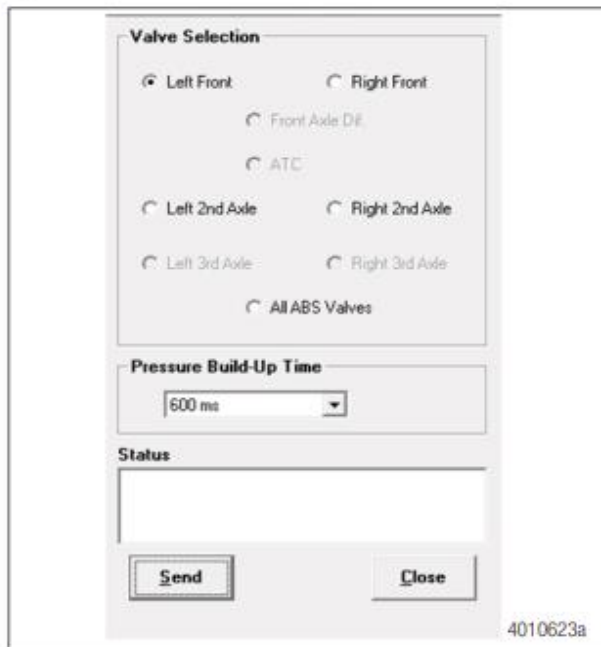


Fig. 5.29



Service Bulletins are intended for use by Professional Technicians only. They are written to guide Professional Technicians in performing service to vehicles of specific nature in conjunction with industry standards. Professional Technicians are appropriately trained on industry standards and have the tools and equipment to perform procedures safely and properly.