



# Service Bulletin

American Honda Motor Co., Inc.

CBR1000 #10  
Revised: December 2024

## SAFETY RECALL

### 2018-2019 CBR1000RR/RA/S1 Fuel Pump Replacement

#### BACKGROUND

Honda is launching a **SAFETY RECALL** on **CERTAIN** 2018-2019 CBR1000RR/RA/S1 motorcycles to replace the fuel pump assembly. Due to a manufacturing defect, the impeller inside the fuel pump can warp or swell when exposed to fuel causing the impeller to lock in place and prevent fuel flow to the engine. A locked impeller can cause the engine to stall without warning while riding, potentially increasing the risk of a crash or injury.

#### AFFECTED UNITS

As of February 9, 2024, **YOU MUST NOT SELL CERTAIN NEW or USED** 2018-2019 CBR1000RR/RA/S1 motorcycles until they are repaired according to this Service Bulletin.

- To search for applicable recalls on a specific unit, you **MUST** use *Unit Information* on **iN**.
- To manage your affected new inventory, use your dealer *eResponsibility Report* on **iN**.

#### CUSTOMER NOTIFICATION

American Honda has mailed customer letters to all owners of affected 2018-2019 CBR1000RR/RA/S1 motorcycles in April 2024. Customers were informed that their motorcycle is affected by a safety related defect and will be advised to make an appointment with an authorized Honda dealer for repair.

#### PARTS INFORMATION

Order the fuel pump kit below for all affected units using the normal parts ordering process.

**NEW**

Model	Description	Part Number	Qty.
2018-2019 CBR1000RR/RA/S1	Fuel Pump Kit	06160-MKF-305	1
<b>Kit Includes:</b>			
Description		Part Number	Qty.
Assembly, Fuel Pump Unit		16700-MKF-D42	1
Packing, Fuel Pump		17574-MFJ-D00	1
Seal, Outer		17576-MFJ-D00	1
Damper, Connector		16719-MFJ-D00	1
Retainer		17711-S0X-931	1

#### DEALER REPAIR RESPONSIBILITY

- Repairs must be performed by a qualified technician.
- Performing this repair exactly as shown in Repair Procedure instructions is critical for the remedy to be effective. Carefully follow all instructions.
- Service Management should inspect and confirm the repair.
- Dealer submission of a warranty claim affirms this repair was properly performed.

**WARRANTY CLAIM INFORMATION**

After completing this *Service Bulletin* update, submit one warranty claim per unit with the following template number.

MODEL	TEMPLATE	FLAT RATE
2018-2019 CBR1000RR/RA/S1	Replacement: KP9A	0.8

**Note:** All KP9A warranty template claims will reimburse freight. To ensure your dealership receives the freight credit, follow these steps.

1. Make sure 'YES' is selected from the *Freight Involved* drop down window.
2. Make sure to include the *Part Order Reference Number*.
3. Include the freight *Amount* associated with the listed *Part Order Reference Number*.
  - The *Part Order Reference Number* can be found on your *Parts Order Statement* on *iN*.

Template Warranty Claim

Template Number\*

Basic Claim Information (required for all claim types)

Claim No.\*  Repair Order Number\*

VIN\*  Repair Order Date (open)\*

Mileage\*  Work Completed Date\*

Sublet Involved?  NO

Freight Involved?  YES  NO  Freight Information

Part Order Reference Number\*  Amount\*

Submit Save View Claim CHANGE CLAIM TYPE

**DEALER SUPPORT**

**TECHNICAL QUESTIONS**

If you have any technical questions relating to this update procedure, please contact: Motorcycle TechLine Online:

***iN > Service > TechLine > TechLine > TechLine Connect***

Or call (800) 421-1900, option 9

**WARRANTY QUESTIONS**

If you have any warranty administration questions relating to warranty claim templates, and claim filing procedures, please contact:

Motorcycle Warranty Online:

***iN > Service > Warranty & HondaCare > Warranty Connect Filing***

Or call (800) 421-1900, option

**FUEL PUMP REPLACEMENT**

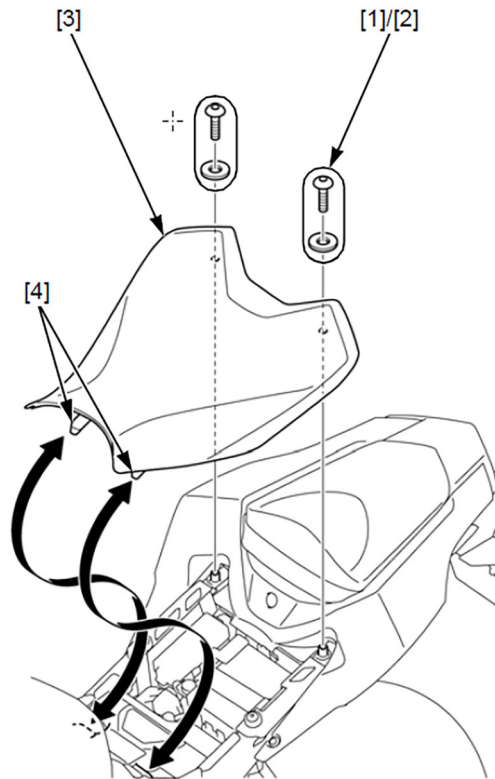
**FUEL REMOVAL / REFILL**

Remove as much fuel as possible from the fuel tank.

**Drain the fuel into a clean container for refilling the tank after procedure is complete.**

**SEAT REMOVAL / INSTALLATION**

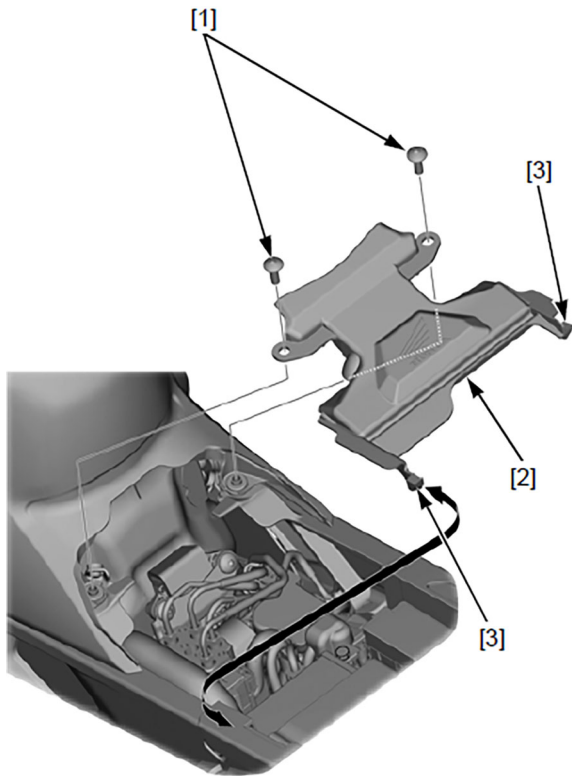
1. Remove the socket screws [1] and washers [2].
2. Remove the main seat [3] by sliding it rearward.



3. Install the seat by inserting the prongs [4] under the frame.
4. Install the washers and screws, and tighten the screws securely.

### IMU COVER REMOVAL / INSTALLATION

Remove the socket screws [1] and IMU cover [2].



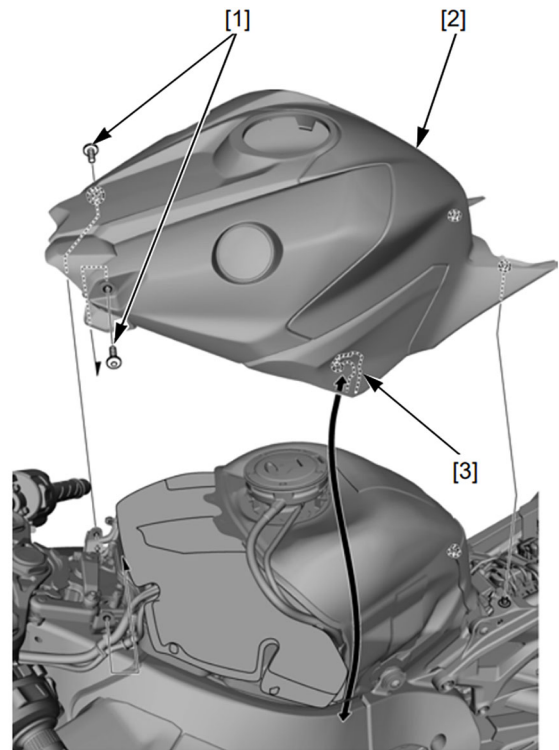
Installation is the reverse of removal.

**NOTE:**

Insert the tabs [3] under the rear fender B.

### TOP SHELTER REMOVAL / INSTALLATION

Remove the socket screws [1] and top shelter [2].



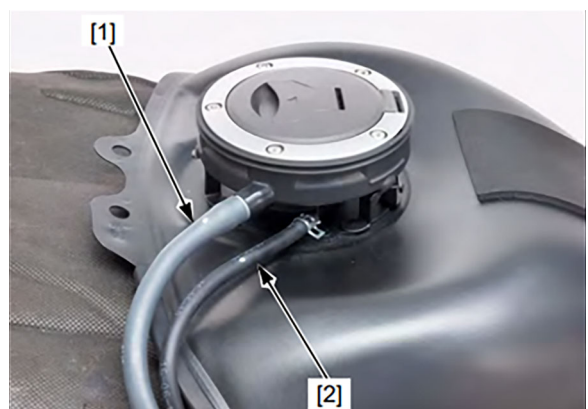
Installation is the reverse of removal.

**NOTE:**

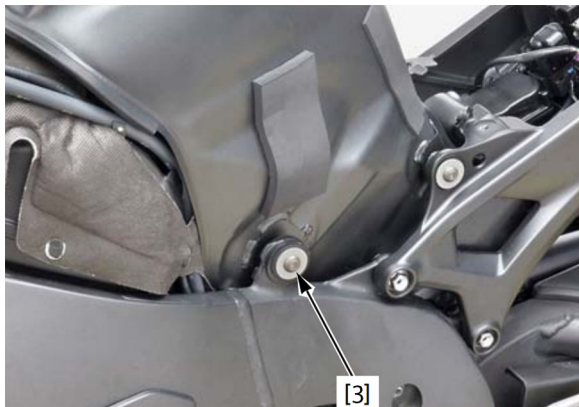
Hook the retainers [3] onto the frame properly.

### FUEL TANK LIFTING / LOWERING

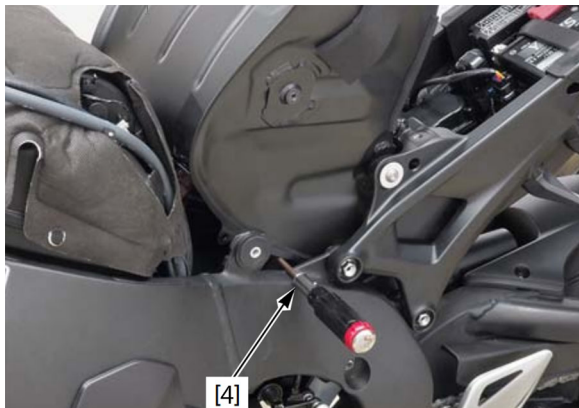
1. Disconnect the fuel tank drain hose [1] from the fuel tank tray.
2. Disconnect the fuel tank-to-canister hose [2] from the breather joint. Plug the fuel tank-to-canister hose to prevent fuel leakage when the tank is inverted



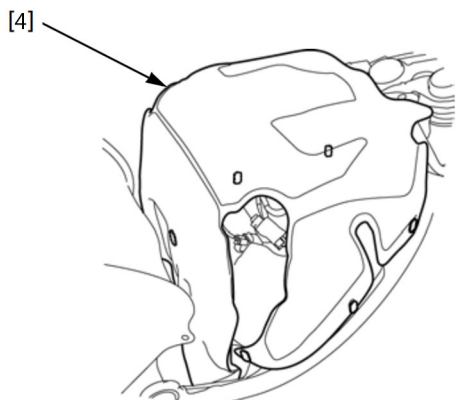
3. Remove the fuel tank mounting bolts/washers [3].



4. Lift the fuel tank front end and support the fuel tank by inserting a suitable support [4] under the tank as shown.



5. Remove the air cleaner cover [4].



Installation is the reverse of removal.

**TORQUE:**

Fuel tank mounting bolt:  
10 N·m (1.0 kgf·m, 88 in·lb)

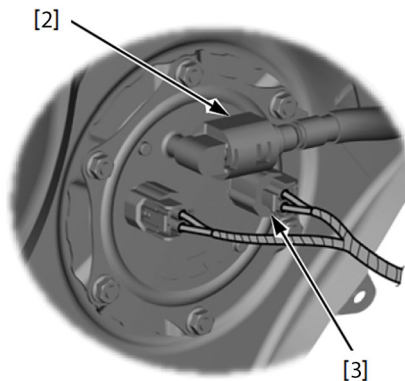
**FUEL PRESSURE RELIEVING**

Before disconnecting the fuel hose, relieve any fuel pressure from the system as follows.

1. Turn the ignition switch OFF.



2. Lift and support the fuel tank.
3. Remove the quick connect fitting cover [2] (fuel pump side only).
4. Disconnect the fuel pump 2P (Brown) connector [3].
5. Start the engine and let it idle until the engine stalls.
6. Turn the ignition switch OFF.



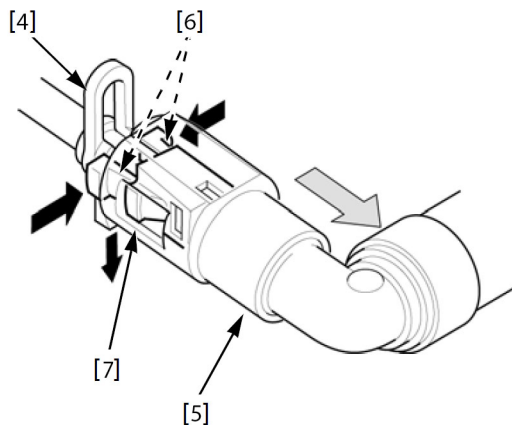
7. Disconnect the battery negative (-) cable [1] from the negative (-) battery terminal.

### QUICK CONNECT FITTING REMOVAL NOTES:

- Clean around the quick connect fitting before disconnecting the fuel feed hose, and be sure that no dirt is allowed to enter into the fuel system.
  - Do not bend or twist the fuel feed hose.
1. Check the fuel quick connect fitting for dirt, and clean if necessary.

Place a shop towel over the quick connect fitting.

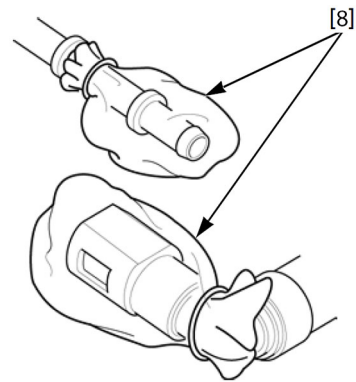
2. Pull and release the rubber damper [2] from the retainer.
3. Hold the connector [3] with one hand and squeeze the retainer tabs [4] with the other hand to release them from the locking pawls [5]. Pull the connector off, then remove the rubber damper and retainer from the fuel joint.



### NOTES:

- Absorb the remaining fuel in the fuel hose from flowing out with a shop towel.
- Be careful not to damage the hose or other parts.
- Do not use tools.
- If the connector does not move, keep the retainer tabs pressed down, and alternately pull and push the connector until it comes off easily.

4. To prevent damage and keep foreign matter out, cover the disconnected connector and fuel joint with plastic bags [6].

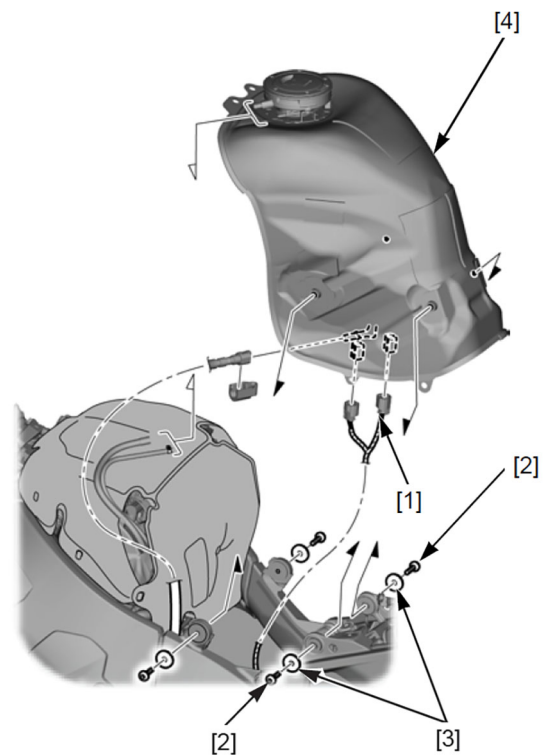


### NOTE:

To prevent damage and keep foreign matter out, cover the disconnected connector and joint end with the plastic bags.

### FUEL TANK REMOVAL / INSTALLATION

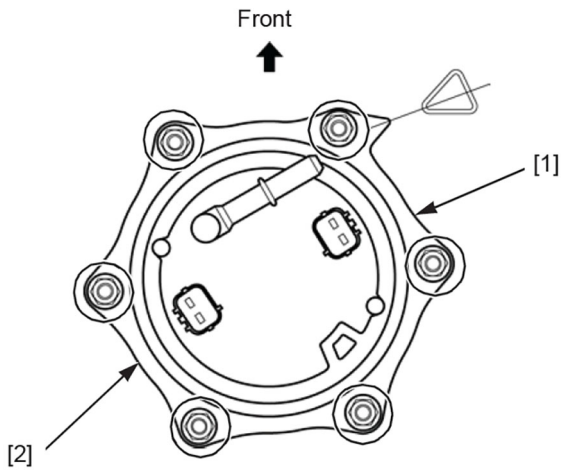
1. Disconnect the fuel reserve sensor 2P (Black) connector [1].
2. Remove the support, fuel tank pivot bolts [2], collars [3] and fuel tank [4].



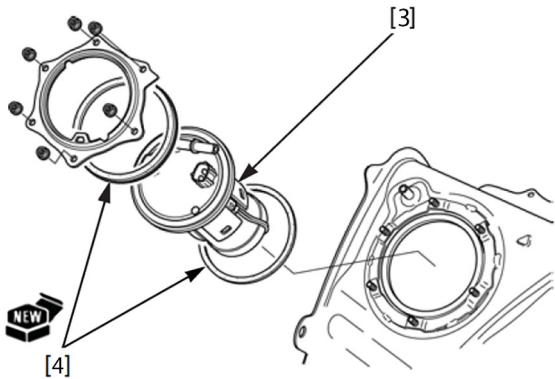
Installation is in the reverse order of removal.

**FUEL PUMP UNIT REMOVAL /  
 INSTALLATION**

1. Remove the fuel pump unit mounting nuts [1] and setting plate [2].



2. Remove the fuel pump unit [3] and packings [4].

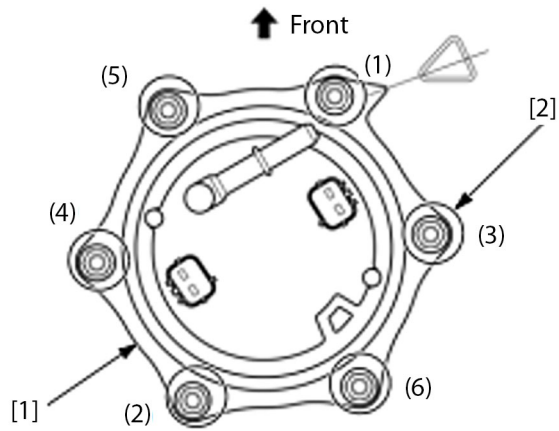


**NOTE:**  
 Be careful not to damage the pump wire.  
 Installation is the reverse order of removal.

**NOTES:**

- Place new packings [4] onto the fuel pump unit [3].
- Install the new fuel pump unit to the fuel tank.
- Be careful not to damage the pump wire.

- Install the setting plate [2] and tighten the fuel pump mounting nuts [1] to the specified torque in the specified sequence as shown.



**TORQUE:**  
 12 N·m (1.2 kgf·m, 106 in·lb)

**QUICK CONNECT FITTING  
 INSTALLATION**

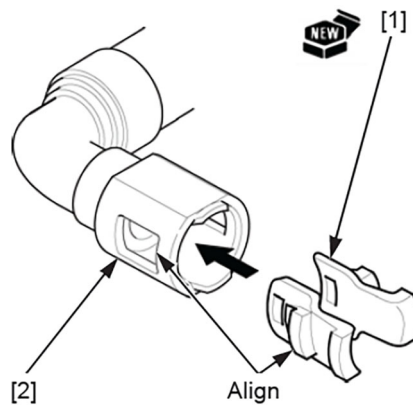
**NOTES:**

- Always replace the retainer of the quick connect fitting when the fuel hose is disconnected.
- If the rubber damper is damaged or cut, replace it with a new one.
- Do not bend or twist the fuel feed hose.
- If any retainer needs replacing, use the same manufacturer's retainer as the ones being removed (The various manufacturers feature different retainer specifications).

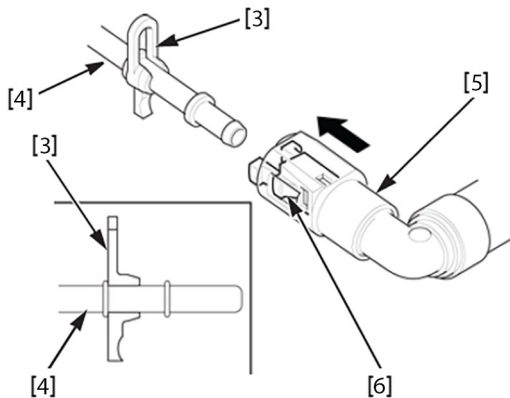
1. Insert a new retainer [1] into the connector [2].

**NOTE:**

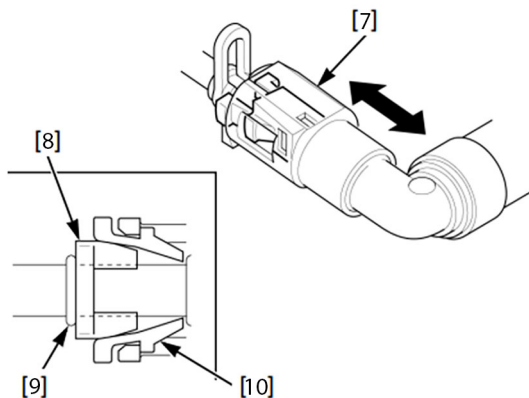
Align the retainer locking pawls with the connector grooves.



2. Install the rubber damper [3] and seat it onto the fuel joint [4] as shown. Align the quick connect fitting [5] with the fuel joint. Then press the quick connect fitting onto the pipe until both retainer pawls [6] lock with a "CLICK". If it is hard to connect, put a small amount of engine oil on the pipe end.

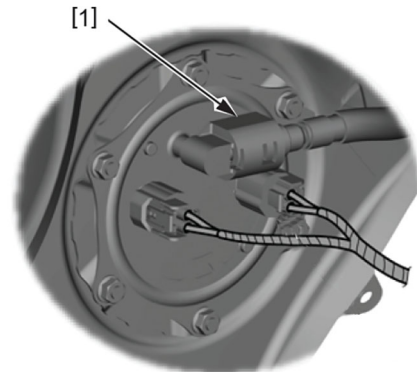


3. Make sure the connection is secure and that the pawls are firmly locked into place; check visually and by pulling the connector [7].
4. Make sure the rubber damper [8] is in place (between the flange [9] and retainer tab [10]).



## FUEL PRESSURE NORMALIZATION

1. Connect the fuel pump unit 2P (Brown) connector [1].



2. Install the quick connect fitting cover [2] (fuel pump side only).
3. Connect the battery negative (-) cable.
4. Turn the ignition switch ON and engine stop switch.

The fuel pump will run for about 2 seconds and fuel pressure will rise.

### NOTE:

Do not start the engine.

5. Turn the ignition switch OFF.
6. Repeat two or three times, and check that there is no leakage in the fuel supply system.
7. Remove the support and close the fuel tank.
8. Adjust the clock on the meter if it reset.
9. For California registered vehicles, please fill out the Vehicle Emission Recall - Proof of Correction certificate (example shown on page 8) and provide it to the customer after the Safety Recall repair has been completed.

CALIFORNIA REGISTERED VEHICLES ONLY

The California Air Resources Board (CARB) requires this repair to be completed prior to California registration renewal. Owners whose affected vehicles have not received the required recall repairs(s) will not be able to renew their vehicle's California vehicle registration.

After completing the repair, dealers must issue a completed Vehicle Emission Recall - Proof of Correction certificate to the vehicle owner. California dealers (and any dealer repairing a California registered unit) must order the Proof of Correction certificates (item no. S0425) from Helm, Inc. Fill in the appropriate information on the certificate and give it to the customer. (See the sample below.)

**NOTE:** It is critical that you write down **KP9** as the Recall Number. The certificate may be requested by the California Department of Motor Vehicles at the time of vehicle registration renewal.

Write KP9 in this section.

Vehicle Emission Recall - Proof of Correction																								
License Number	Make	Year Model	Body Type	Vehicle Identification Number																				
				<table border="1"><tr><td></td><td></td><td></td><td></td><td></td><td></td><td></td><td></td><td></td><td></td><td></td><td></td><td></td><td></td><td></td><td></td><td></td><td></td><td></td><td></td></tr></table>																				
Manufacturer _____			Recall Number _____																					
The above described vehicle has been repaired, modified and/or equipped with new emission control devices to meet applicable California Emission Control Laws.																								
Dealer's Name		Address, City, State and Zip																						
_____		_____																						
Date	Dealership's Authorized Signature																							
_____	_____																							
	X																							
Return this certificate to DMV <u>only</u> when required - otherwise retain for your records.																								

## IMPORTANT SAFETY RECALL

This notice applies to your vehicle: XXXXXXXXXXXXXXXXXXXX

April 2024

Dear FIRSTNAME LASTNAME,

This notice is sent to you in accordance with the National Traffic and Motor Vehicle Safety Act, Honda has decided that a defect which relates to motor vehicle safety exists in certain 2018-2020 model year CBR600RR and 2018-2019 CBR1000RR motorcycles.

**Why my vehicle is under recall:** The fuel pump module may have an improperly molded impeller. Over time the impeller can deform and cause the fuel pump to become inoperable.

### Safety Consequence:

An inoperable fuel pump could prevent an engine from starting, cause a vehicle to lose drive power or stall while driving, increasing the risk of a crash or injury.

### What Honda will do:

Your Honda Powersports dealer will replace the fuel pump module, for **FREE**. Honda estimates that the repair will take approximately 1 hour to complete. However, your dealer can provide you with a better estimate of the overall time for this service visit, as it may be necessary to make your vehicle available for a longer period of time.

### What we need you to do:

Please call any authorized Honda Powersports dealer and schedule an appointment to have your vehicle repaired for **FREE**.  
If you are not the only rider of this vehicle, please advise all other riders and passengers of this important information.

### California Owners Only

The DMV will not renew your vehicle's registration until this recall has been completed. After completing the repair procedure, your dealer will give you a Vehicle Emission Recall - Proof of Correction certificate. Please make sure the dealer provides you with a completed certificate. Keep the certificate for your records as proof that the recall was completed. Submit the certificate to the DMV only if the DMV requests it.

### Emission Warranty

In order to ensure your full protection under the emission warranty provisions, it is recommended that you have your vehicle repaired as soon as possible. Failure to do so could be determined as lack of proper maintenance.

- Check recall information for your motorcycle by accessing the Honda recall lookup tool at <https://powersports.honda.com/recalls> and entering your Vehicle Identification Number (VIN).
- If you have questions or concerns, we encourage you to:
  - visit <https://powersports.honda.com/recalls>; or
  - contact your local Honda Powersports dealer; or
  - send Customer Relations a message via <https://powersports.honda.com/contact-us>; or
  - call American Honda's Powersports Customer Relations at 1-866-784-1870 Monday through Friday, 8:30 a.m. to 4:30 p.m., Pacific Time.

If you paid out of pocket to have these specific recall repairs performed on your vehicle, you may be eligible for reimbursement; please contact American Honda's Powersports Customer Relations at 1-866-784-1870 to determine potential eligibility and for instructions on how to request reimbursement.

If you no longer own this vehicle or if any of the information is not correct, please complete and return the enclosed prepaid Information Change Card as soon as possible. If you are a lessor of this vehicle, federal regulations require you to forward this notice to your lessee within ten days.

If you believe that American Honda or the dealer has failed or is unable to remedy the defect in your vehicle, without charge and within a reasonable period of time (60 days from the date you first contact the dealer for a repair appointment), you may submit a complaint to the Administrator, National Highway Traffic Safety Administration (NHTSA), 1200 New Jersey Ave., SE, Washington, DC 20590. Alternatively, you may call the NHTSA toll-free Vehicle Safety Hotline at 1-888-327-4236 (TTY 1-800-424-9153) or go to <http://www.safercar.gov>.

We sincerely apologize for any inconvenience this recall may cause, but please be assured that your safety is our first concern.

Sincerely,  
**American Honda Motor Co., Inc.**