

TRAIL KING industries

Serving our customers since 1974.



300 East Norway Avenue
Mitchell, SD 57301-4777

2130 3rd Avenue NW
West Fargo, ND 58078-1343

1200 Gehl Drive
Yankton, SD 57078

To: Valued TK HT Hydraulic Tail Trailer Customer

NHTSA Recall Number: 24V866
Trail King Recall Number: TK202402

DATE: January 7, 2025

IMPORTANT SAFETY RECALL – 3rd Notification

This notice applies to your vehicle with VIN: **«Serial »**

This notice is sent to you in accordance with the National Traffic and Motor Vehicle Safety Act.

Trail King has decided that a defect that relates to motor vehicle safety exists in certain 2020-2024 TKHT Hydraulic Tail vehicles. This is to inform you that your vehicle may contain a defect.

What Trailers are being recalled?

This recall affects Model Year 2020-2024 Trail King TKHT Hydraulic Tail trailers manufactured between July 2020 through August 2024.

What is the Problem?

The affected trailers are hydraulic tail trailers. The suspension frame beam could develop cracks that could allow the suspension support channel to separate from the trailer, increasing the risk of a crash.

What should you do?

Obtain and confirm your trailer's serial number from the VIN plate located on the driver's side of the unit. You are receiving this letter because our records show you are the current owner of this vehicle. Inspect the gooseneck using the inspection criteria included with this letter. Then contact your nearest Trail King Industries dealer to have this issue addressed.

What will we do?

Trail King Industries is conducting a safety recall campaign to address this issue. An authorized Trail King Industries Service Center will provide new reinforcements for the Hydraulic Tail suspension area. This repair should take approximately 8 hours and will be performed at no charge to you.

Please contact your nearest Trail King Industries dealer to have your trailer repaired. You can also contact Trail King Industries directly at 1-800-843-3324 and our Customer Service Department will help you locate a dealer near you. Trail King will send the parts needed to the dealer to repair your trailer.

If this repair has been performed prior to receipt of this notification, you may be eligible to receive reimbursement for the cost of obtaining a pre-notification remedy for the problem associated with this recall. For more information, contact Trail King at the phone number noted below.

If you no longer own the vehicle covered by this Safety Recall Notice, please provide the name and contact information for the new owner by contacting Trail King Industries at 1-800-843-3324 and asking for Customer Service or email to Customerservice@trailking.com. This will enable us to advise the new owner of this recall.

Pursuant to Federal Law, any vehicle lessor receiving this recall notice must forward a copy of this notice to the lessee within ten (10) days.

If Trail King Industries fails or is unable to provide a remedy within a reasonable time, you may wish to contact the Administrator, National Highway Traffic Safety Administration, 1200 New Jersey Avenue, SE, Washington, DC 20590, or call the toll-free Auto Safety Hotline at 1-888-327-4236 (TTY: 1-800-424-9153); or contact NHTSA at <http://www.safercar.gov>.

We regret any inconvenience this may cause you, but we are initiating this action in the interest of your personal safety and satisfaction with our products.

Please note, that it is a violation of Federal law for a dealer to deliver a new motor vehicle or any new or used item of motor vehicle equipment (including a tire) covered by the notification under a sale or lease until the defect or noncompliance is remedied.

Sincerely,
Customer Service

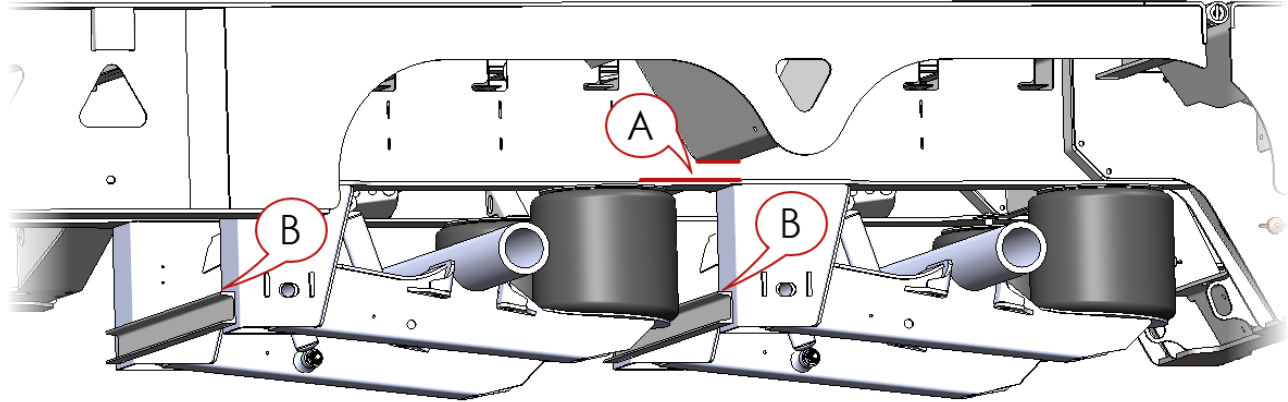
Trail King Industries
300 East Norway
Mitchell, SD 57301
1-800-843-3324 (Toll-Free)



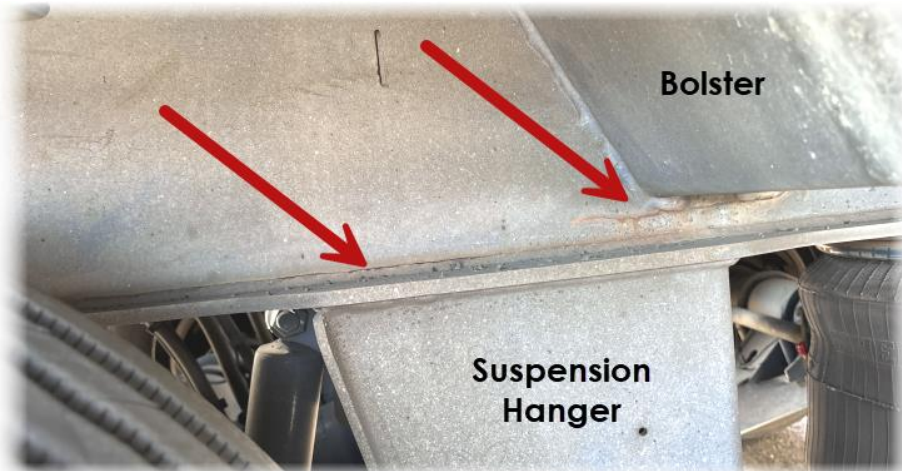
HT Inspection Criteria

Inspection of the Suspension Area:

- A. Inspect the web and the top of the bottom flange above the suspension hangers.
- B. Inspect the c-channel on the suspension hangers.



- A. Cracking Above the suspension hangers and below the bolster:



- B. Damaged or missing suspension hanger C-Channel:

