



Technical Service Bulletin

Technical Service Bulletin: TSB250013

Released Date: 30-Jan-2025

Safety Campaign #5807 C275D2RE Generator Set Harness Inspection and Repair

Safety Campaign #5807 C275D2RE Generator Set Harness Inspection and Repair

Warranty Statement

The information in this document authorizes specific changes to the repair practice for failures covered under product warranty coverages.

Contents

Product Affected

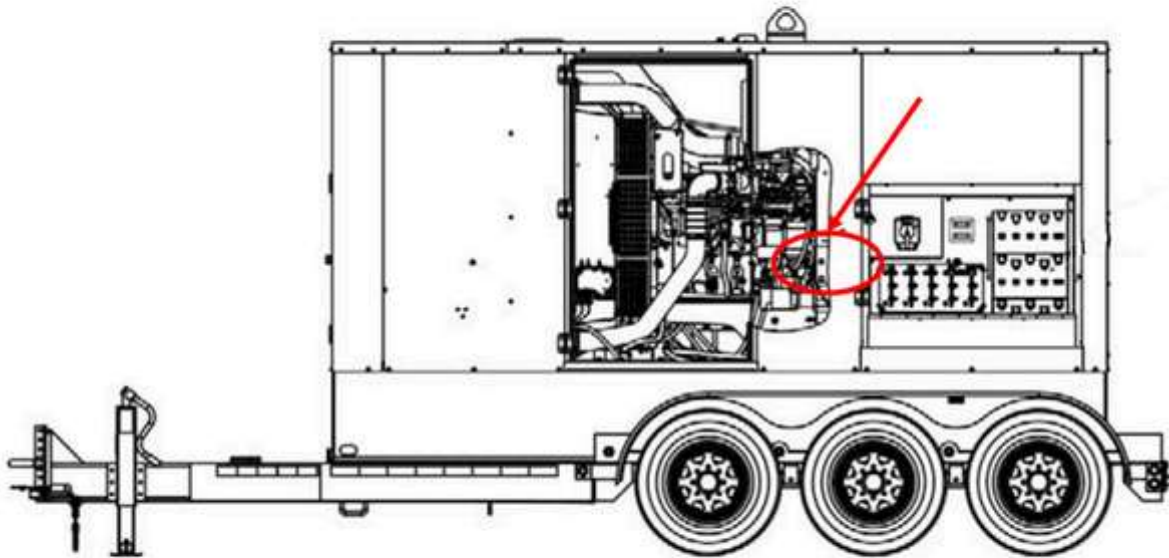
- C275D2RE

Issue

Harness routing of unprotected wires near the engine starter causing potential for short circuit.

Verification/Confirmation

The **Product Affected - Serial Numbers** section contains the list of generator set serial numbers potentially affected by this Safety Campaign. Cummins requires that the listed generators have the generator set harness routing near the engine's starter inspected for damage. Any harness damage must be repaired, and then constrained with cable ties to prevent the exposed wires from contacting the engine's starter. Reference Figure 1 for inspection location near engine's starter, and Figures 2 and 3 for potentially problematic routing.



17r02273

Figure 1, Inspection Location on Generator Set



17r02274

Figure 2, Potentially Problematic Harness Routing

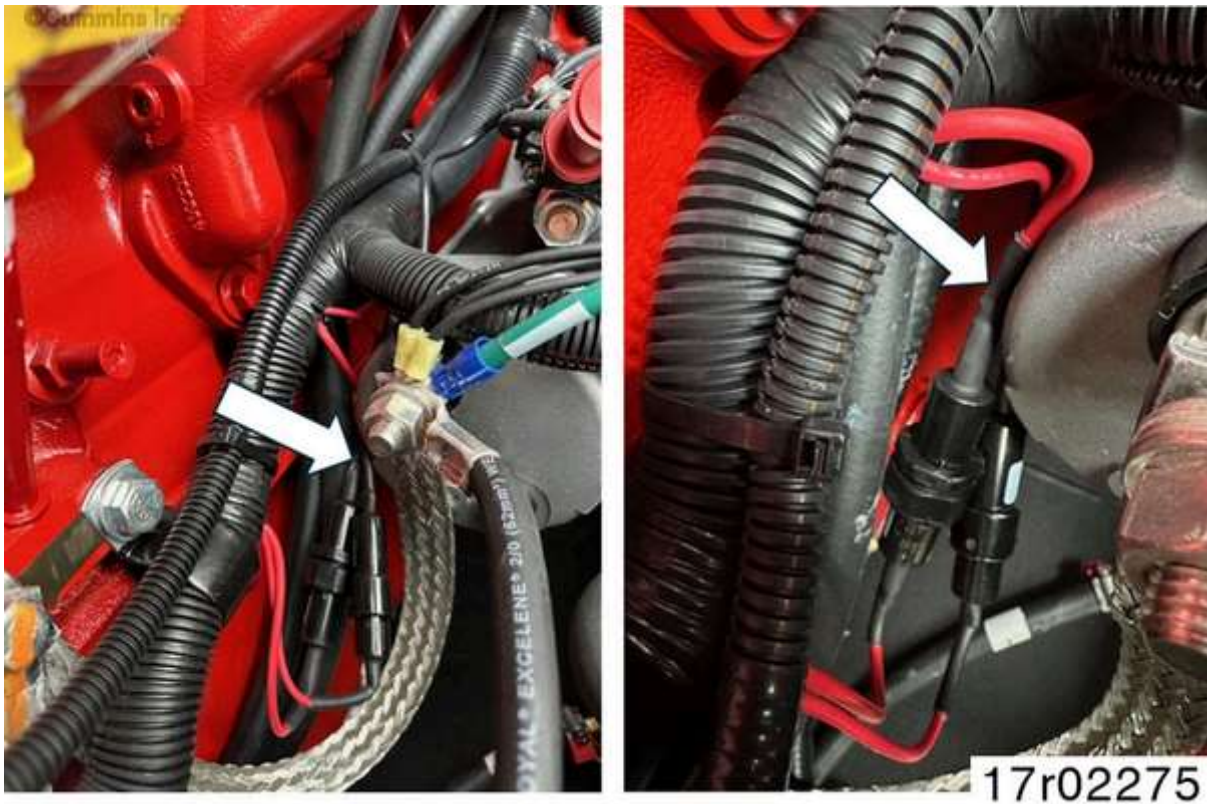


Figure 3, Other Potentially Problematic Harness Routing

Resolution

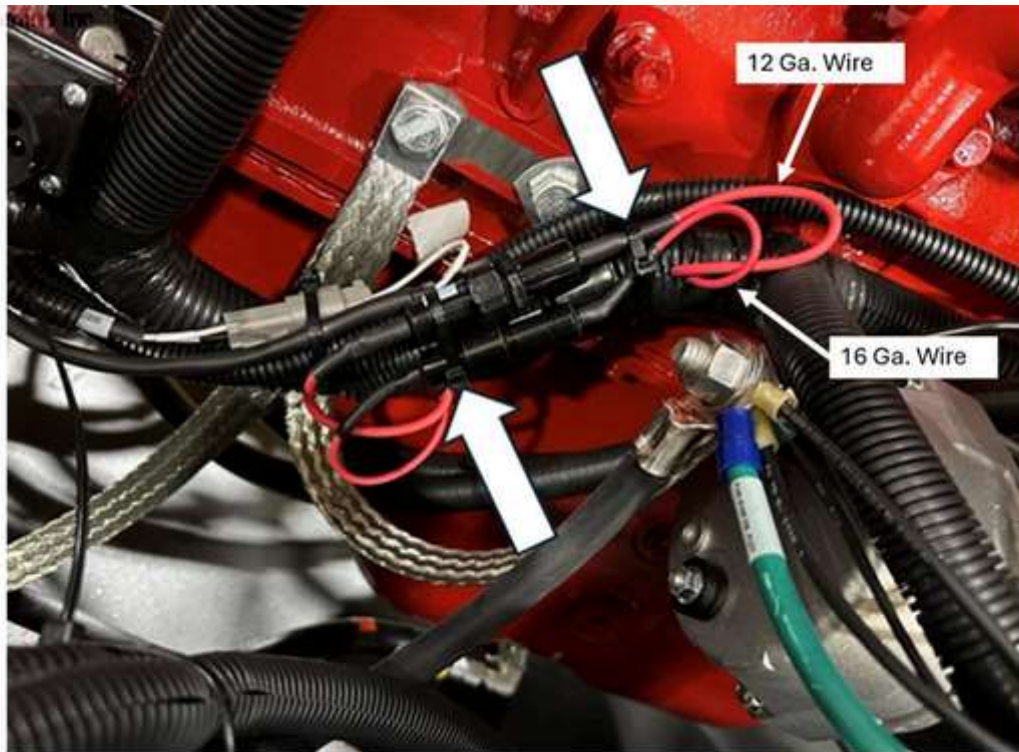
Repair any wire chafing and constrain the wires using two cable ties back to the harness loom. Reference the Service Instructions section below for required service repair.

If the harness is damaged beyond repair, escalate to CUMMINS CARE. Once parts are procured, follow service procedure 8.6.21 of the product service manual, Global Literature Number A048A404 located on Cummins QuickServe Online.

Service Instructions

1. Lock Out Tag Out (LOTO) unit.
2. Open service door on left side of unit (non-control side).
3. Locate the engine's starter and inspect the nearby red wires with fuse holders outside of the protective loom for chafing signs.
4. If necessary, repair any chafing damage with electrical tape.
5. If there is damage to either of the wires or fuse holders, splicing a new section of either 12 or 16 gauge wire and/or fuse holder may be necessary. Refer to Figure 4 for wire size.

6. Once all necessary repairs to the harness have been made, secure the exposed wires back to the rest of the harness using two cable ties. Make sure the exposed wires cannot come in contact with anything other than the harness itself. Refer to Figure 4 for effective cable tie location.



17r02276

Figure 4, Cable Tie Wire Restraint Locations

7. Remove LOTO.

End of repair

Campaign Claim Filing Instructions:

Fail Code: OR WH SR

Account Code: 65

Authorization Code: 5807

Expiration Date: None

Travel is covered under this campaign.

Note: All SRTs listed are **OPTIONAL**. Select **ONLY** the appropriate SRTs for the repair performed.

- 00-90F: 0.2 hours - Technician Administrative Time (Optional)
- 00-902: 0.3 hours - Technician Administrative Time - Road/Field Repair (Optional)
- 99-007: 0.2 hours - Wire Inspect Only - No Action Needed (Optional, only if 99-009 and 26-0AQ are **NOT** selected)
- 99-009: 0.4 hours - Wire Inspect, Repair, and Constrain Harness with Cable Tie (Optional)

- 26-0AQ: 3.4 hours - PCC Control harness R&I (Optional)

Service Parts Availability

Service parts are available. See Table 1 for part numbers. All parts listed are **OPTIONAL**. Select **ONLY** the appropriate parts for the repair performed.

Table 1, Service Parts		
Part Description	Part Number	Source
6" Cable Tie	0332-1794	Cummins or Locally
Fuse Holder (12Ga. Wire)	HEB-AA from Bussmann/Eaton	Locally
12Ga. Red Wire	N/A	Locally
Fuse Holder (16Ga. Wire)	HFA-RFrom Bussmann/Eaton	Locally
16Ga. Red Wire	N/A	Locally
Sleeving w/ Adhesive	ATUM-6/2-0-STK from TE Connectivity	Locally

Production Status

Implemented for production. See Table 2.

Table 2, Production Information			
Product	GSN First	Build Date ¹	Plant
C275D2RE	A0250407606	Jan. 10 th , 2025	CPG Fridley

¹Generator Set/Engine build date can be found on the Generator Set/engine dataplate.

Product Affected - Serial Numbers

Table 3, Product Serial Numbers							
B220039 526	F220103 970	J220159 654	B230203 192	D230229 094	G230248 655	L230295 176	E240340 822
B220039 528	F220103 971	J220159 722	B230203 838	D230229 095	G230248 740	L230295 177	E240341 964
B220039 532	F220096 442	J220159 723	B230203 839	D230227 630	G230249 005	L230295 678	E240342 839

Table 3, Product Serial Numbers

B220040 811	F220103 972	J220159 724	B230204 219	E230231 141	G230249 044	L230295 679	E240343 575
B220040 807	F220103 973	J220162 717	B230204 220	E230231 142	G230249 064	K230293 512	E240343 677
B220047 808	G220108 905	J220162 718	B230204 221	E230231 223	G230249 705	L230301 054	E240344 136
B220047 809	G220108 906	J220162 720	B230204 222	E230231 231	G230249 706	L230301 055	E240342 830
B220047 810	G220117 535	K220167 946	B230204 223	E230231 235	G230249 924	L230301 057	E240344 086
B220048 467	G220117 536	K220167 947	B230208 248	E230231 236	G230249 919	L230301 480	E240344 125
B220048 466	G220117 537	K220167 948	B230208 249	E230231 814	G230249 920	L230301 481	E240344 376
B220048 468	G220117 550	K220172 526	C230212 566	E230231 815	G230250 105	L230301 265	E240344 380
C220061 337	G220117 551	K220172 523	C230212 567	E230233 816	G230250 106	L230301 482	E240344 391
C220061 338	H220122 236	K220172 524	C230214 527	E230233 817	H230253 399	A240302 578	E240344 389
C220061 339	H220122 237	K220172 527	C230215 251	E230234 196	H230253 380	A240302 836	E240344 392
C220061 540	H220125 192	K220172 525	C230215 252	E230234 197	H230254 356	A240303 158	F240345 460
C220062 058	H220126 128	K220173 255	C230215 253	E230234 198	H230254 357	A240303 391	F240345 461
C220062 054	H220126 579	K220173 252	C230216 099	E230234 199	H230255 346	A240303 670	F240346 079
D220066 723	H220128 303	K220173 253	C230216 240	E230234 864	H230255 347	A240303 672	F240352 104
D220066 724	H220129 192	K220173 254	C230216 241	E230234 865	H230255 838	A240304 012	F240352 213
D220066 750	H220130 130	K220173 256	C230216 425	E230234 866	H230255 844	A240306 761	F240352 214
D220066 751	H220130 131	L220178 261	C230216 422	E230235 320	I230262 018	A240306 762	F240352 440

Table 3, Product Serial Numbers

D220066 725	H220130 710	L220178 262	C230216 423	E230235 321	I230261 776	A240306 763	G240355 961
D220066 726	H220131 184	L220178 263	C230216 424	E230235 322	I230262 222	A240306 764	G240355 856
D220069 284	H220131 417	L220178 259	C230218 403	E230235 323	I230262 449	L230301 056	G240355 966
D220069 282	H220131 928	L220178 260	C230218 404	E230235 336	I230277 566	A240308 061	G240356 361
D220069 283	H220132 059	L220178 264	C230218 405	E230235 337	I230278 038	A240308 893	G240358 704
E220080 942	H220132 060	L220179 222	C230220 711	E230235 338	I230278 039	A240309 200	G240360 697
E220080 944	H220133 819	L220179 223	C230220 712	E230235 339	J230280 825	A240309 852	G240361 455
E220080 943	H220133 820	L220179 224	C230220 679	F230240 659	J230280 826	A240311 231	G240361 478
E220083 164	H220133 818	L220179 225	C230220 760	F230241 993	J230280 909	A240311 232	G240360 730
E220083 165	H220131 929	L220179 226	C230220 761	F230242 038	J230281 259	B240312 153	H240364 888
E220083 166	H220131 930	L220179 227	D230222 198	G230243 519	J230281 261	B240312 154	H240364 889
E220083 167	H220134 298	L220181 108	D230222 199	G230243 598	J230281 894	B240314 303	G240360 731
E220083 168	H220134 299	L220181 109	D230222 220	G230243 658	J230284 405	B240314 305	G240360 732
E220083 814	H220134 300	L220181 576	D230222 221	G230243 680	J230285 086	B240314 515	F240346 321
E220083 815	H220135 192	L220181 577	D230222 261	G230244 105	J230285 129	B240316 485	I240373 488
E220084 741	H220135 193	L220185 485	D230222 262	G230244 106	J230285 130	C240320 535	I240373 920
E220084 742	H220135 194	L220185 514	D230222 263	G230244 199	J230285 131	C240323 640	I240373 921
E220084 743	H220135 195	L220187 704	D230222 264	G230244 202	K230286 691	C240323 983	I240374 614

Table 3, Product Serial Numbers

E220084 744	H220136 553	L220187 705	D230227 320	G230244 422	K230287 680	C240324 054	K240395 544
E220085 791	H220136 554	A230187 779	D230227 321	G230244 424	K230287 681	D240331 771	K240396 957
E220085 792	H220136 555	A230189 752	D230227 322	G230245 590	K230287 954	D240331 772	K240397 660
E220085 793	I220151 706	A230189 753	D230227 323	G230245 694	K230287 955	D240331 773	L240398 185
E220085 794	I220151 707	A230189 837	D230227 324	G230246 071	K230288 170	D240331 774	L240398 970
E220087 166	I220151 708	A230189 838	D230227 325	G230246 243	J230285 627	D240332 966	L240398 971
E220087 167	J220153 395	A230189 839	D230227 326	G230246 244	K230288 172	D240333 100	
E220087 168	J220153 396	A230190 617	D230227 327	G230246 697	J230284 406	D240333 102	
E220087 169	J220155 437	A230191 043	D230227 582	G230246 718	K230289 080	D240333 665	
E220088 699	J220155 438	A230191 044	D230227 624	G230246 719	K230289 849	D240333 669	
F220091 822	J220155 816	A230191 045	D230227 625	G230246 988	K230290 330	D240334 144	
F220091 833	J220155 817	A230191 624	D230227 626	G230246 989	K230290 572	D240334 281	
F220094 279	J220155 818	A230191 627	D230227 627	G230247 753	K230290 907	E240336 024	
F220094 280	J220155 819	A230191 629	D230227 628	G230247 867	K230288 171	E240338 187	
F220096 443	J220156 294	A230191 998	D230227 629	G230247 868	K230293 342	E240338 188	
F220096 444	J220156 295	A230198 433	D230228 232	G230248 142	K230293 520	E240338 519	
F220097 202	J220156 298	A230198 434	D230228 455	G230248 360	K230293 344	E240339 078	
F220103 962	J220159 289	B230201 305	D230228 279	G230248 361	K230293 379	E240339 212	

Table 3, Product Serial Numbers							
F220103 963	J220159 290	B230202 443	D230228 280	G230248 380	K230293 521	E240339 638	
F220103 964	J220159 291	B230202 444	D230228 458	G230248 738	L230295 364	E240339 643	
F220103 965	J220159 332	B230203 191	D230228 475	G230248 739	L230295 089	E240340 731	

Document History

Date	Details
2025-1-27	Module Created

Last Modified: 30-Jan-2025
