


RECALL 24V913 / 2024-742 REMEDY INSTRUCTIONS

 FOREST RIVER	Make(s): GEORGETOWN Model(s): MANY Model Year(s): 2009 - 2017	Repair Code: RC-730-09-00-004772 Allotted Time: 2.00 HRS. Inspection Code: RC-730-05-00-004771 Allotted Time: .20 HRS.
	Concern: The turn signal lamp does not meet the F/CMVSS 108 standards, the turn signal may not be conspicuous to a motorist. The condition may lead to a crash.	Photo(s) Required: YES, SEE BELOW Prior Authorization Required: YES Part(s) Kit Number: SEE BELOW Part(s) Return: NO, FIELD DESTROY

Place vehicle in (P) Park and engage the Parking Brake. Turn off LP Gas at LPG Tank(s). Disconnect the vehicles' battery Positive and Negative, disconnect any House battery(s) Positive and Negative, if equipped with a generator ensure it is off and lastly, ensure the vehicle is disconnected from shore power. Block any tires/wheels to prevent the vehicle from rolling. Failure to do so may result in electrocution, fire or other personal injury, property damage and/or death.

CERTAIN 2009 – 2017 – GEORGETOWN CLASS A MOTORHOMES

PARTS KIT:

F100800035 – ONE KIT PER UNIT, 2009 – 2011 GEORGETOWN MOTORHOMES ONLY

- THIS REQUIRES A PHOTO OF THE CURRENTLY INSTALL LIGHTS TO BE SUBMITTED FOR REVIEW;
 - o A DETERMINATION WILL BE MADE BY FOREST RIVER. THE FOLLOWING WILL BE PROVIDED TO YOUR DEALERSHIP AS FEEDBACK:
 - TO CLAIM AN INSPECTION;
 - **OR**
 - TO CONDUCT A REMEDY, THEN CLAIM THE REPAIR CODE
- DO NOT CLAIM EITHER CODE UNTIL PROPER FEEDBACK IS PROVIDED;

F100800036 – ONE KIT PER UNIT, 2012 – 2017 GEORGETOWN MOTORHOMES ONLY

- THIS REQUIRES A PHOTO PRIOR TO AND POST REMEDY/INSTALLATION ON REPLACEMENT LIGHTS

THE REMEDY INSTRUCTIONS ARE ON THE FOLLOWING PAGES

2009-2017 MODEL YEAR GEORGETOWN TURN SIGNAL RECALL REPAIR PROCEDURE

NHTSA RECALL: 24V913

THIS RECALL IS LIMITED TO CERTAIN CLASS A
GEORGETOWN RECREATIONAL VEHICLES

**The purpose of this procedure will be to help
technicians identify and install new safety
compliant turn signal equipment on affected
vehicles.**

REQUIRED PARTS AND RECOMMENDED TOOLS

2 Amber 4-inch LED lights, Grommets, and Connectors.
(supplied)



Drill with 4-1/2 Inch Hole Saw
(Not Supplied)

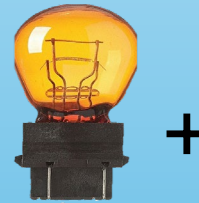


TURN SIGNAL LIGHTS USED IN THIS RECALL

- 2009-2011
Georgetown



- 2012-2017
Georgetown



+



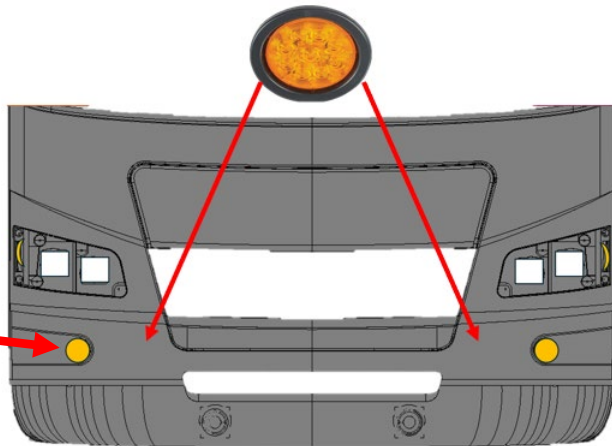
STEP #1

IDENTIFY THE STYLE YEAR OF THE FRONT CAP

A.

2009-2011 Georgetown

Fig.1



B.

2012-2017 Georgetown

Fig. 2



STEP #2

CAP A:

This install will require a modification to the fiberglass cap.

Making the hole for the Light.

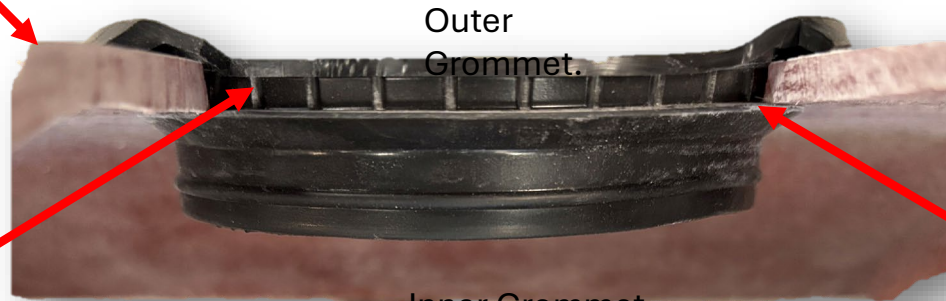
- The new turn signal will be in addition to the existing turn signal.
- Use the center of the existing turn signal in ***Figure 4*** for the starting point.
- Measure from the center of the turn signal 6 inches towards the center of the cap.
- The new Turn signal hole will be center of the bumper vertically, ***Figure 4***.
- Mark the measurements and double check accuracy.
- Using the center point of the measurements it is recommended to use a center punch as a start point for the arbor of the 4 ½ inch hole saw.
- After the hole is made install the black grommet, making sure to push it onto the cap until the inner retainer is fitted over the fiberglass. Refer to ***Figure 3***.
- ***Figure 5*** shows the completed installation.

GROMMET TO CAP INSTALL

Outer
Surface of
Cap

Figure 3

Fiberglass
cap
Thickness



Outer
Grommet.

Inner Grommet.

Grommet
Groove

Inner lip of
grommet

2009-2011 GEORGETOWN TURN SIGNAL PLACEMENT

Before Recall Completion

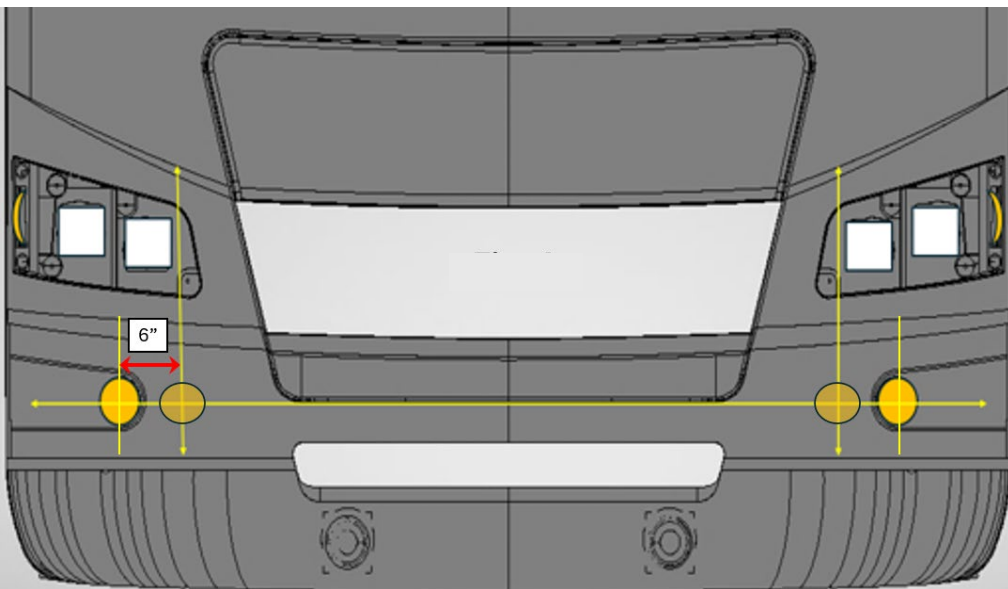


Fig.
4

After Recall Completion

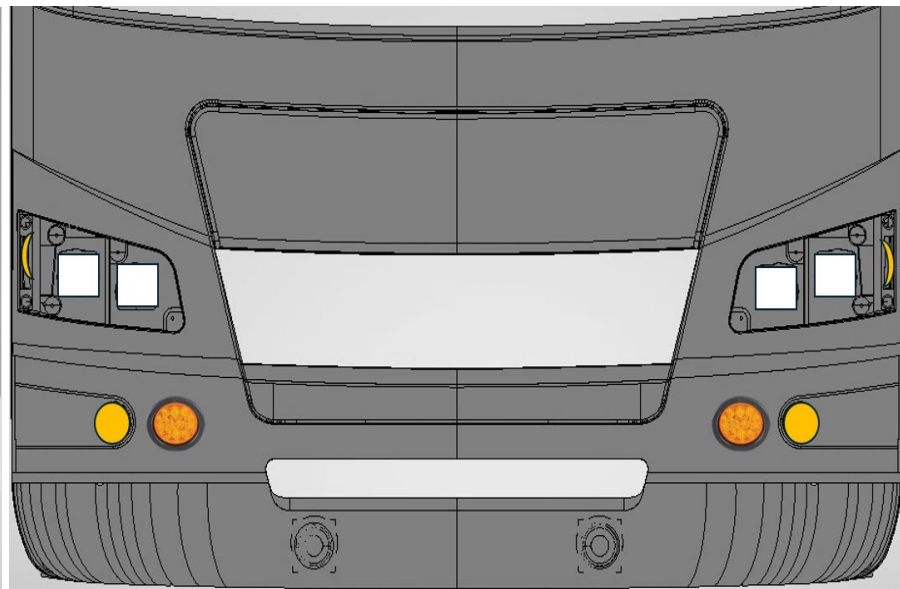
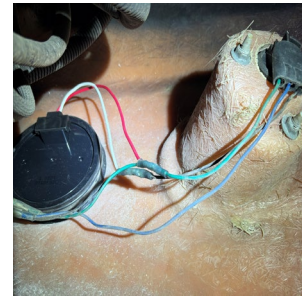
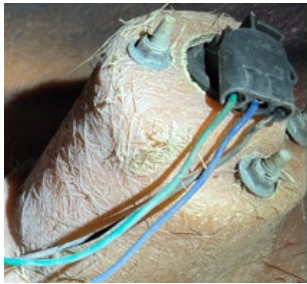


Fig.
5

STEP 3

Connecting the pigtail wires.

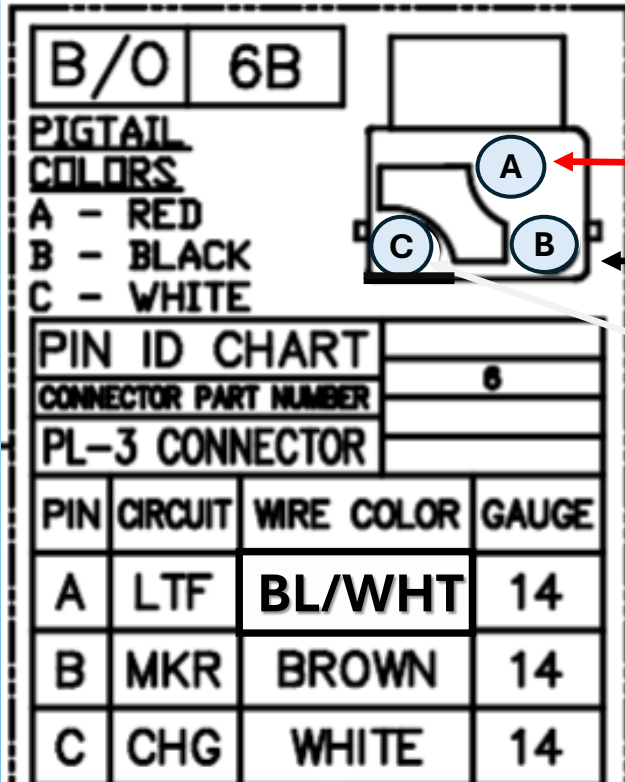
- From under the front of the cap near the bottom, locate the 3 wires connecting the existing lower turn signal light.
- Refer to the following page, ***figure 6***, for wiring assistance.
- Splice the three wires from the pigtail supplied into the existing harness using heat shrink connectors or tubing as shown.
- Plug the 3-prong pigtail into the back of the new signal housing.
- Repeat this process for both turn signals.
- Check operation of the lights.



TURN SIGNAL

Fig. 6

3-WAY CONNECTOR WIRE COLOR



A- RED

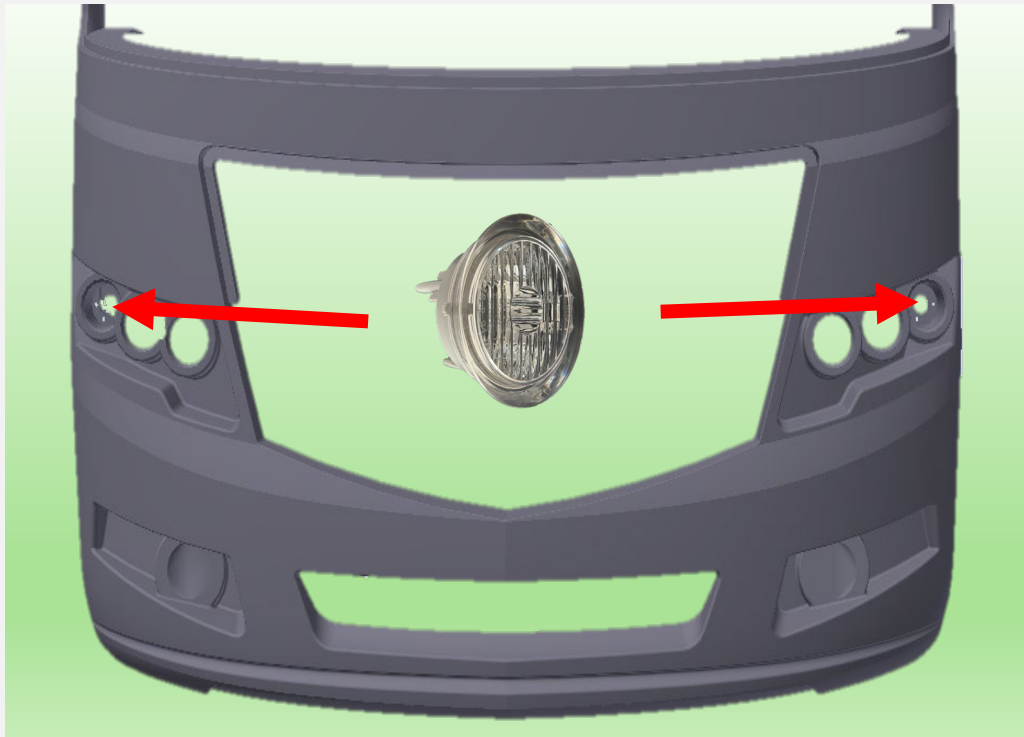
B- BLACK

C- WHITE

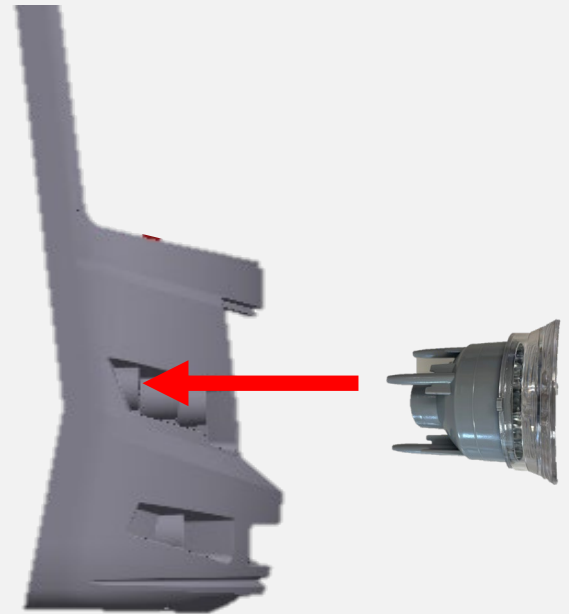


2012-2017 GEORGETOWN TURN SIGNAL PLACEMENT

CAP **B**:



Front View Fig. 7



Side View Fig.8

Removal and Installation

- Open the hood with the hood key and support the hood in the up position.
- Locate, twist, and remove the plug from the back of the existing turn signal.
- Remove the clear bulb from the plug and install the new amber double filament bulb. ***Figure 10.***
- Locate the 3 metal fasteners securing the turn signal and remove them. ***Figure 9***
- Install the new supplied turn signal into the housing, and secure with the metal fasteners.
- Install the new plug with bulb into the new turn signal.
- Close the hood and check operation.

Fig. 9

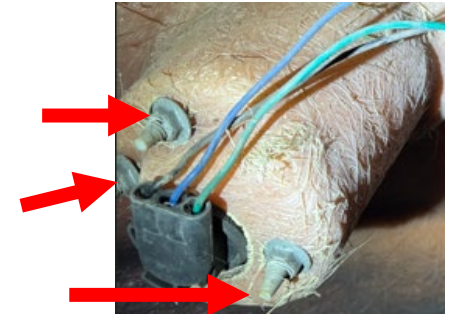


Fig.10

