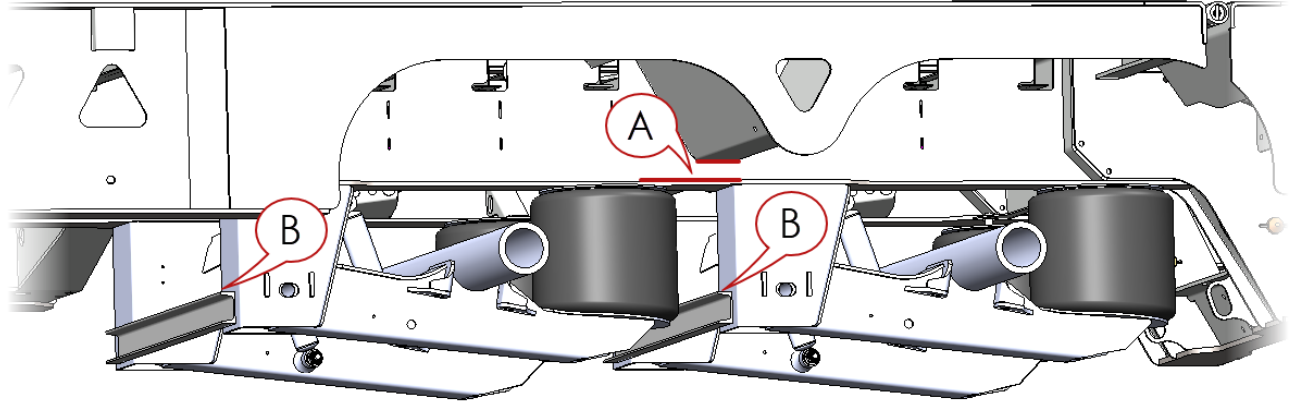




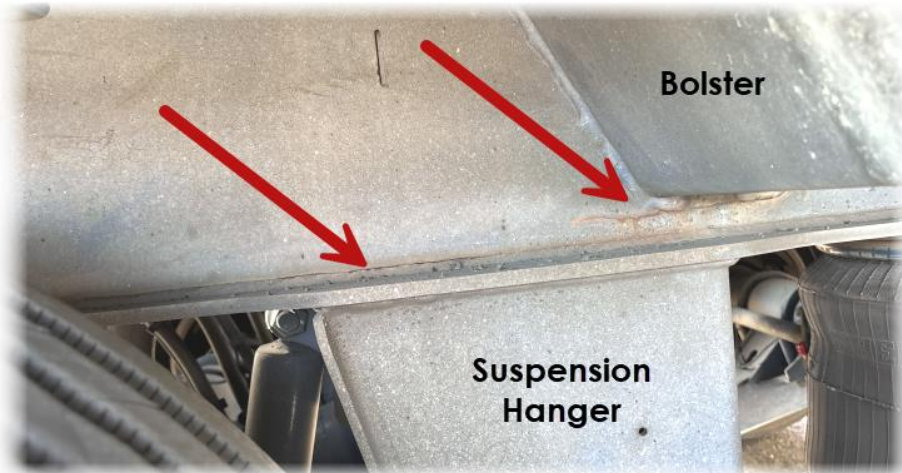
HT Inspection Criteria

Inspection of the Suspension Area:

- A. Inspect the web and the top of the bottom flange above the suspension hangers.
- B. Inspect the c-channel on the suspension hangers.



- A. Cracking Above the suspension hangers and below the bolster:



- B. Damaged or missing suspension hanger C-Channel:

