

## Safety Recall: 2023–24 Pilot Driver’s Seat Lift Link Bolt Loose

### AFFECTED VEHICLES

Year	Model	Trim Level	VIN Range
2023–24	Pilot	ALL	Check the iN VIN status for eligibility.

### BACKGROUND

Nationwide less than 30 units during production may have received a driver’s seat cushion frame where some bolts were improperly torqued and over time could loosen and fall off. If a bolt falls off, the driver’s seat may become unsecured and rock or wobble during use, increasing the risk or severity of an injury in the event of a crash.

### CUSTOMER NOTIFICATION

Owners of affected vehicles will be sent a notification of this safety recall. Do an iN VIN status inquiry to verify eligibility. Some vehicles affected by this campaign may be in your new or used vehicle inventory.

Failure to repair a vehicle subject to a recall or campaign may subject your dealership to claims or lawsuits from the customer or anyone else harmed as a result of such failure. To see if a vehicle in inventory is affected by this safety recall, do a VIN status inquiry before selling it.

### CORRECTIVE ACTION

Replace the seat cushion frame.

### WARRANTY CLAIM INFORMATION

#### Memory Seat

Operation Number	Description	Flat Rate Time	Defect Code	Symptom Code	Template ID	Failed Part Number
8591N0	Replace driver seat cushion frame	1.6hr	6KW00	SKF00	A24130A	81536-3S5-A21

#### Non-Memory Seat

Operation Number	Description	Flat Rate Time	Defect Code	Symptom Code	Template ID	Failed Part Number
8591N1	Pilot Sport: Replace driver seat cushion frame	1.2hr	6KW00	SKF00	A24130B	81536-T20-A61

**CUSTOMER INFORMATION:** The information in this bulletin is intended for use only by skilled technicians who have the proper tools, equipment, and training to correctly and safely maintain your vehicle. These procedures should not be attempted by “do-it-yourselfers,” and you should not assume this bulletin applies to your vehicle, or that your vehicle has the condition described. To determine whether this information applies, contact an authorized Honda automobile dealer.

## PARTS INFORMATION

Part Name	Part Number	Quantity
Left Front Seat Cushion Frame (Memory Seats)	81536-3S5-A21	1
Left Front Seat Cushion Frame (Non-Memory Seats)	81536-T20-A61	1
Flange Nut (7/16")	81115-T90-A01	1
Flange Bolt (10X19.85)	90102-T90-A01	4

## REQUIRED MATERIALS

NONE

## TOOL INFORMATION

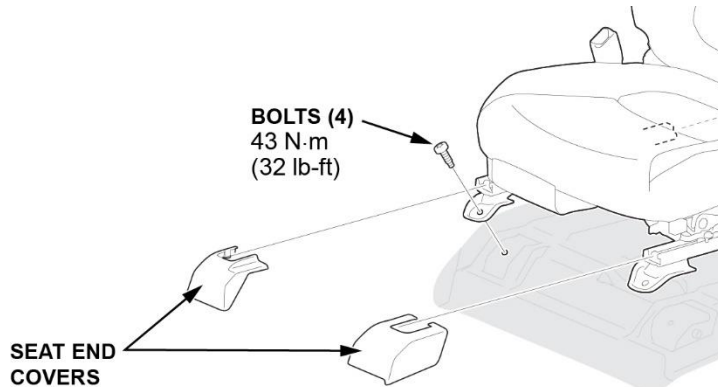
Tool Name	Part Number	Quantity
50 IP TORX Plus socket driver	Commercially available	1

## REPAIR PROCEDURE

### ⚠ CAUTION

- SRS Components are located in this area. Before doing repairs or service, review the following precautions:
  - [SRS Component Location Index](#)
  - [SRS Precautions and procedures](#)

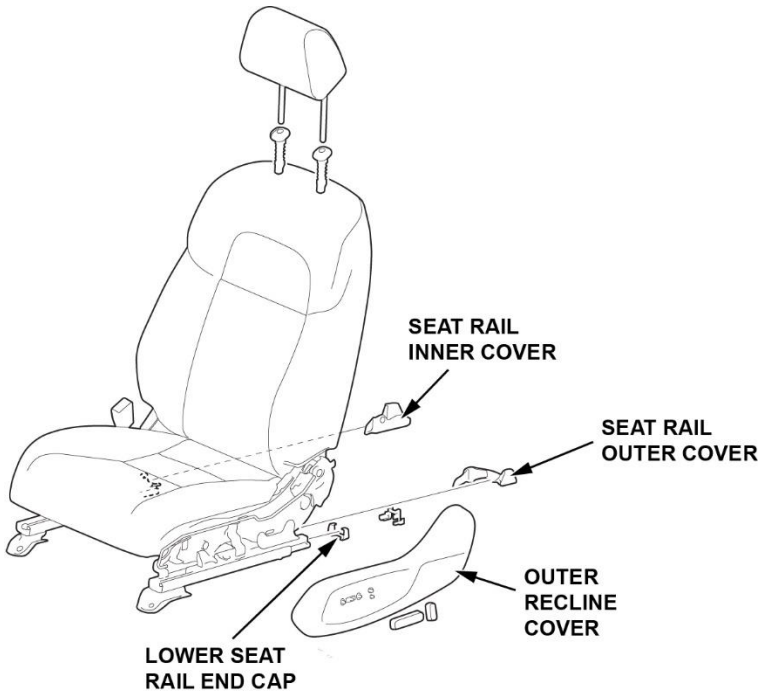
1. Remove the [seat end covers](#), then remove the four seat mounting bolts using a 50 IP TORX Plus socket driver.



2. Disconnect the battery, then wait **3 minutes** before proceeding.
  - [12 Volt Battery Terminal Disconnection and Reconnection](#)
3. Disconnect the [seat harness and connectors](#).
4. Remove the driver's seat and place on a clean work surface.

5. Remove the following:

1. [Outer recline cover](#)
2. [Seat rail inner and outer covers](#)
3. [Lower seat rail end cap](#)

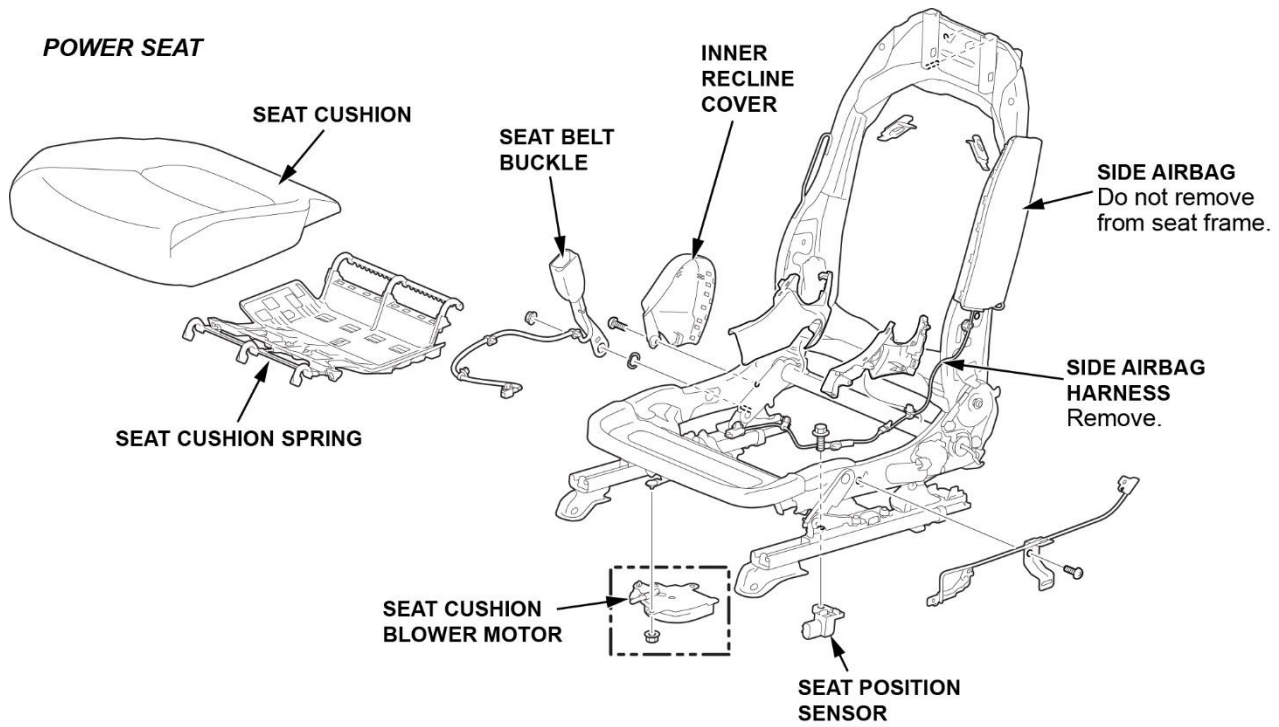


6. Take a photo of the seat harness routing for reference.

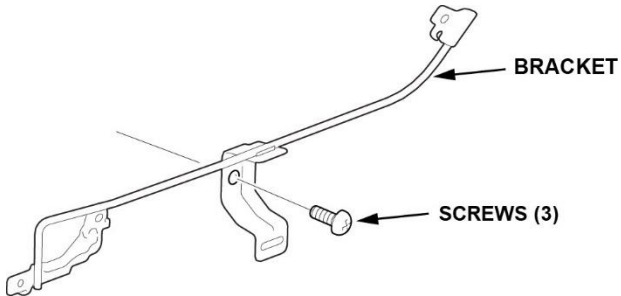
7. Remove the following:

1. [Inner recline cover](#)
2. Harness for [driver's side airbag](#) (do not remove the airbag)
3. [Seat cushion](#)
4. Seat harness
5. [Seat cushion blower motor](#) (if equipped)
6. [Seat cushion spring](#)

8. Disconnect the [seat position sensor](#) and [seat belt buckle](#).



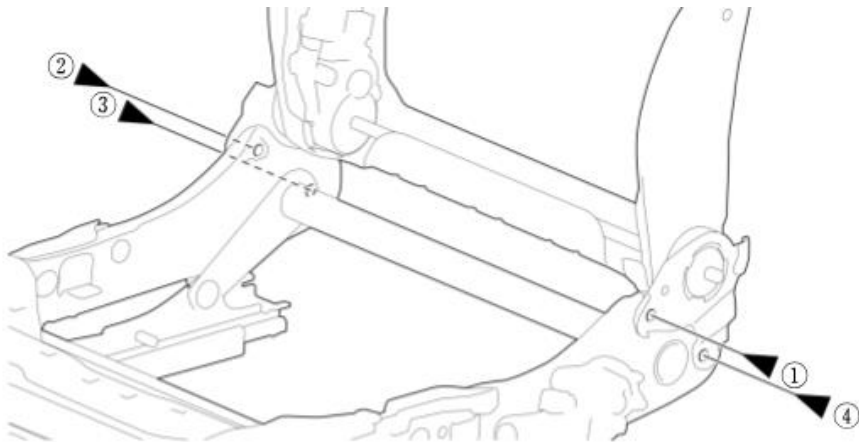
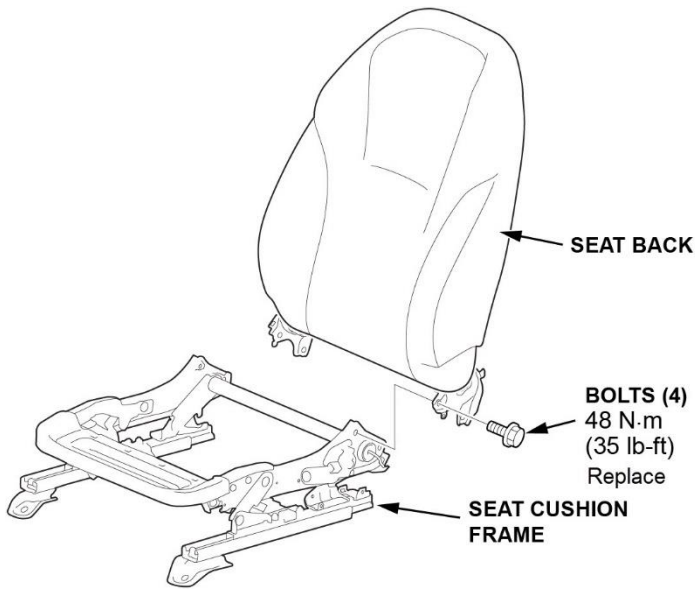
9. Remove the 3 screws, then remove the [bracket](#).



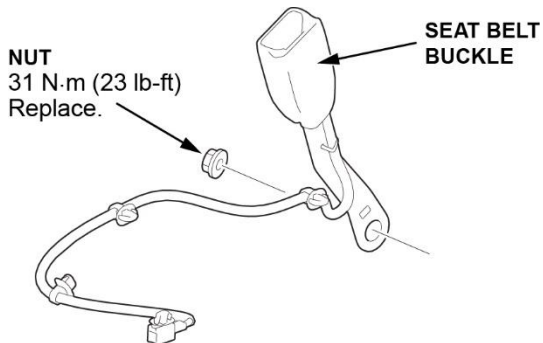
10. Remove the [four bolts holding the seat back](#) to the seat cushion frame and discard, then remove the seat back assembly.

NOTE:

- **Do not** disassemble the seat back assembly.
- Use new bolts to attach the seat back to the seat cushion.
- Torque in sequence on assembly.



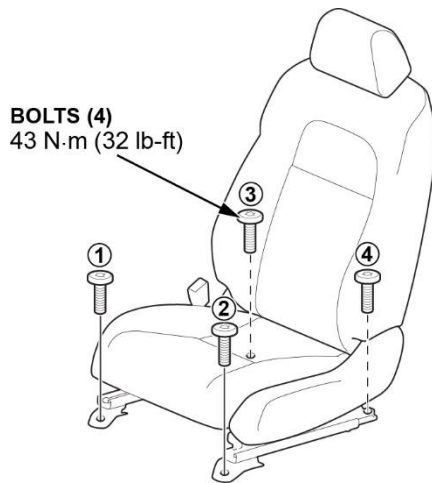
11. Transfer the [seat belt buckle](#) to the new seat cushion frame.



12. Transfer all the remaining parts from the old seat cushion frame to the new seat cushion frame.

13. Install the remaining parts in the reverse order of removal.

14. Install the driver's seat into the vehicle. Hand tighten the bolts, then torque, in sequence, using a 50 IP TORX Plus socket driver.



15. Reconnect the 12-volt battery.
- [12 Volt Battery Terminal Disconnection and Reconnection](#)
16. Do the [VSA Sensor Neutral Position Memorization](#).
17. Do the [Driver's Seat Position Sensor Operation Check](#).
18. Do the [Driving Position Memory Clear](#) (if equipped).