

November 15, 2024

Version 1

Safety Recall: 2023–24 Accord and Accord Hybrid Driver’s Seat Lift Link Bolt Loose

APPLIES TO

Year	Model	Trim Level	VIN Range
2023–24	Accord	ALL	Check iN VIN status to verify eligibility.
2023–24	Accord Hybrid	ALL	Check iN VIN status to verify eligibility.

BACKGROUND

Less than 45 units during production may have received a driver’s seat cushion frame where some bolts were improperly torqued and over time could loosen and fall off. If a bolt falls off, the driver’s seat may become unsecured and rock or wobble during use, increasing the risk or severity of an injury in the event of a crash.

CUSTOMER NOTIFICATION

Owners of affected vehicles will be sent a notification of this safety recall. Do an iN VIN status inquiry to verify eligibility. Some vehicles affected by this campaign may be in your new or used vehicle inventory.

Failure to repair a vehicle subject to a recall or campaign may subject your dealership to claims or lawsuits from the customer or anyone else harmed as a result of such failure. To see if a vehicle in inventory is affected by this safety recall, do a VIN status inquiry before selling it.

CORRECTIVE ACTION

Replace the seat cushion frame.

CUSTOMER INFORMATION: The information in this bulletin is intended for use only by skilled technicians who have the proper tools, equipment, and training to correctly and safely maintain your vehicle. These procedures should not be attempted by “do-it-yourselfers,” and you should not assume this bulletin applies to your vehicle, or that your vehicle has the condition described. To determine whether this information applies, contact an authorized Honda automobile dealer.

WARRANTY CLAIM INFORMATION

Memory Seats

Operation Number	Description	Flat Rate Time	Defect Code	Symptom Code	Template ID	Failed Part Number
8591N0	Accord: Replace driver seat cushion frame.	1.2hr	6KW00	ZKG00	A24128A	81536-30A-A71
8591N0	Accord Hybrid: Replace driver seat cushion frame	1.3hr	6KW00	ZKG00	A24128B	81536-30A-A71

Non-Memory Seats

Operation Number	Description	Flat Rate Time	Defect Code	Symptom Code	Template ID	Failed Part Number
8591N0	Accord: Replace driver seat cushion frame.	1.2hr	6KW00	ZKG00	A24128C	81536-3W0-A51
8591N0	Accord Hybrid: Replace driver seat cushion frame	1.3hr	6KW00	ZKG00	A24128D	81536-3W0-A51

PARTS INFORMATION

Part Name	Part Number	Quantity
Left Front Seat Cushion Frame (Memory Seats)	81536-30A-A71	1
Left Front Seat Cushion Frame (Non-Memory Seats)	81536-3W0-A51	1
Flange Nut (7/16") (Hybrid)	81115-TZA-J01	1
Flange Nut (7/16") (Non-Hybrid)	81115-3W0-A11	1

REQUIRED MATERIALS

NONE

TOOL INFORMATION

Tool Name	Part Number	Quantity
50IP TORX Plus socket driver	Commercially available	1

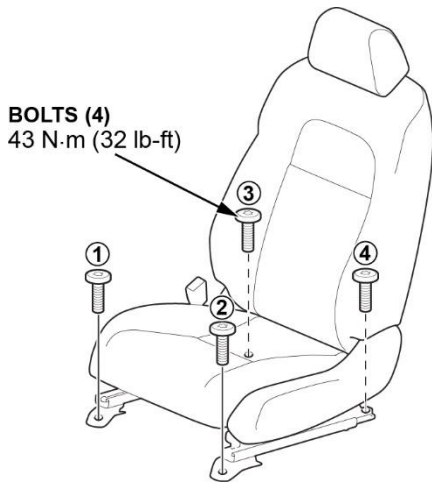
REPAIR PROCEDURE

⚠ CAUTION

SRS Components are located in this area. Before doing repairs or service, review the following precautions:

- [SRS Component Location Index](#)
- [Precautions and procedures](#)

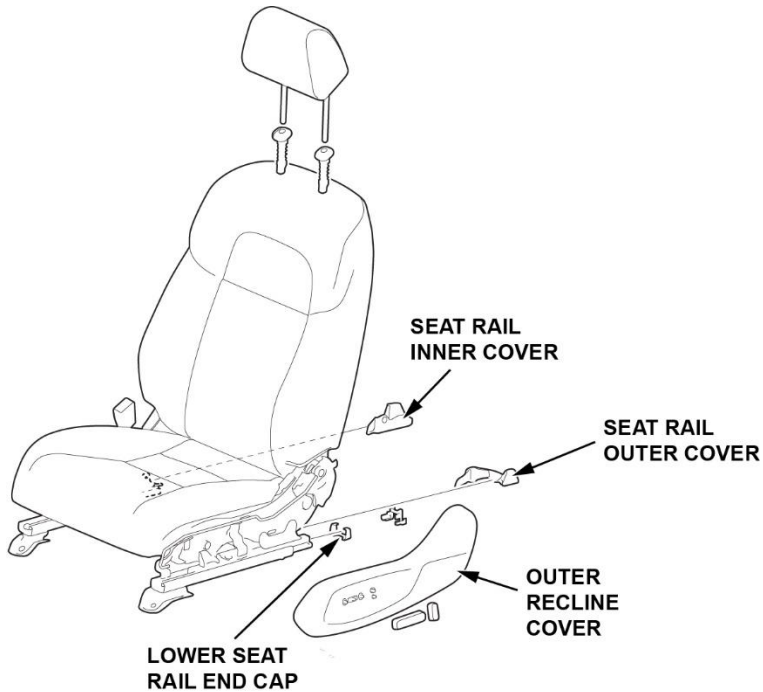
1. Remove the seat bolts using a 50 IP TORX Plus socket driver.



2. Disconnect the battery, then wait **3 minutes** before proceeding.
 - Accord - [12 Volt Battery Terminal Disconnection and Reconnection](#)
 - Accord Hybrid - [12 Volt Battery Terminal Disconnection and Reconnection](#)
3. Disconnect the seat harness and connectors.
4. Remove the driver's seat and place on a clean work surface.

5. Remove the following:

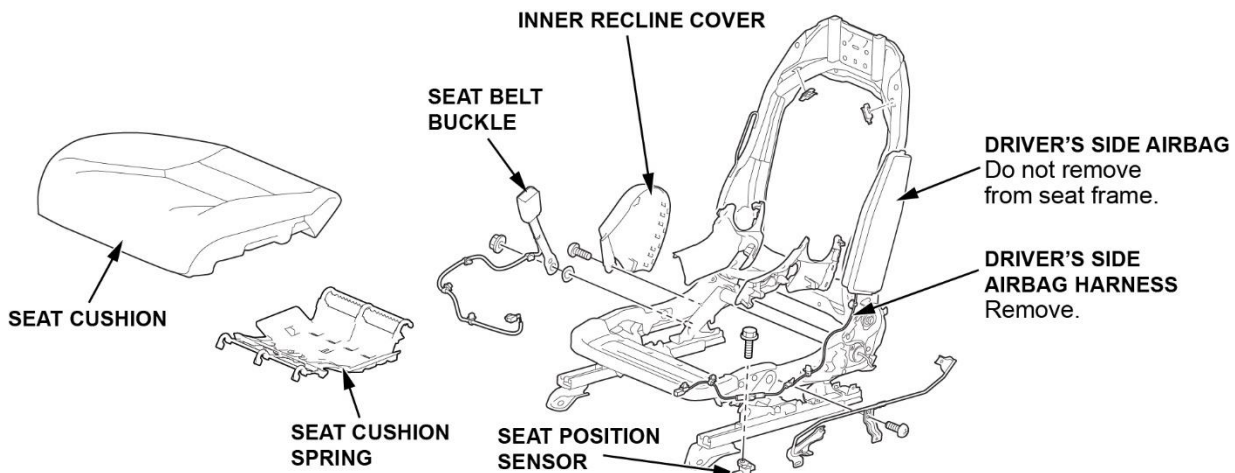
1. [Outer recline cover](#)
2. [Seat rail inner and outer covers](#)
3. [Lower seat rail end cap](#)



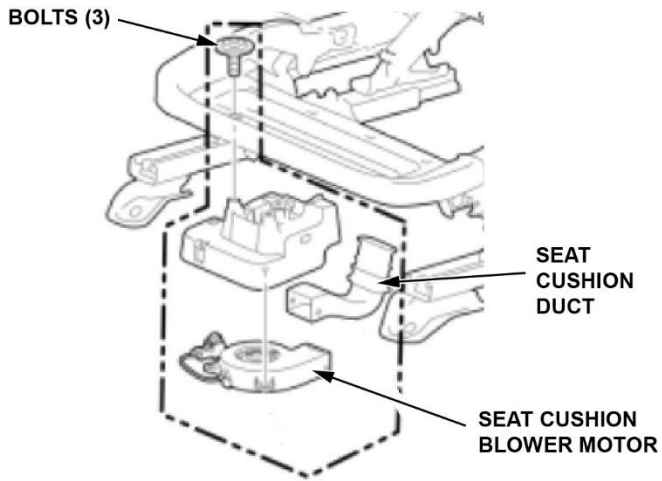
6. Take a photo of the seat harness routing for reference.

7. Remove the following:

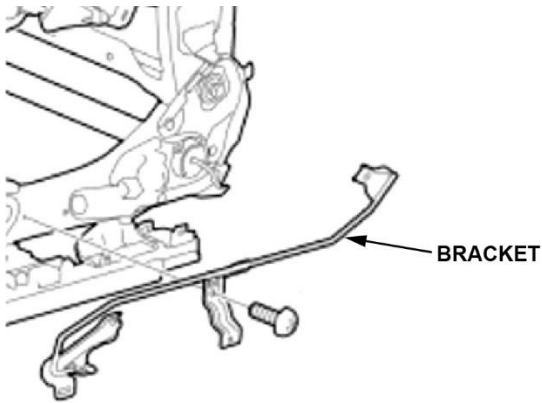
1. [Inner recline cover](#)
2. Harness for [driver's side airbag](#) (do not remove airbag)
3. [Seat cushion](#)
4. Seat harness
5. [Seat cushion spring](#)
6. Disconnect the seat position sensor
7. Disconnect the [seat belt buckle](#)



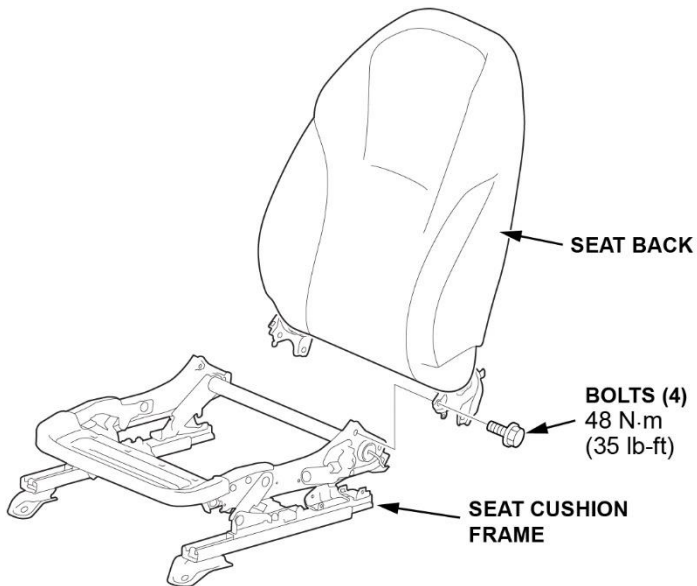
8. If equipped with seat ventilation, remove the [seat cushion blower motor](#) and [seat cushion duct](#).



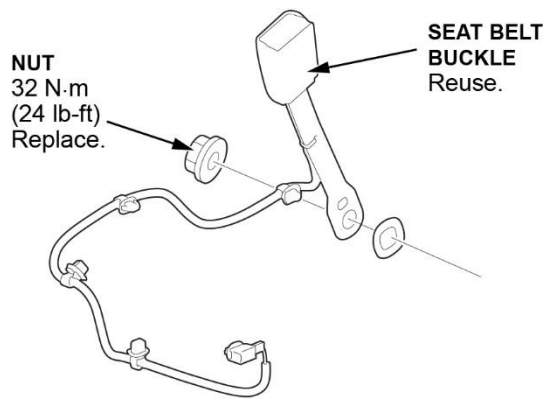
9. Remove the 3 mounting screws, then remove the bracket.



10. Remove the four bolts holding the seat back to the seat cushion frame, then remove the seat back assembly.
NOTE: **Do not** disassemble the seat back assembly.



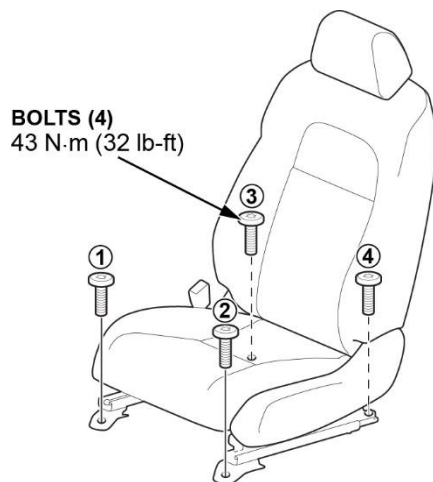
11. Transfer the [seat belt buckle](#) to the new seat cushion frame.



12. Transfer all the remaining parts from the old seat cushion frame to the new seat cushion frame.

13. Install the remaining parts in the reverse order of removal.

14. Install the driver's seat into the vehicle. Hand tighten the bolts, then torque the bolts, in sequence, using a 50 IP TORX Plus socket driver.



15. Reconnect the 12-volt battery.

- [12 Volt Battery Terminal Disconnection and Reconnection](#)

16. Do the [VSA Sensor Neutral Position Memorization](#) procedure.

17. Do the [Driver's Seat Position Sensor Operation Check](#).

18. Do the [Driving Position Memory Clear](#) (if equipped).