



## Volvo Car Customer Service

QB Instruction VCC-530242-1

<b>Title</b>	Push rod brake booster	<b>Page</b>	1 ( 9 )
<b>Action</b>	Adjustment	<b>Operation number:</b>	97568-2

<b>Issue</b>	<b>Date</b>	<b>Reason</b>
1	2024-10	First issue

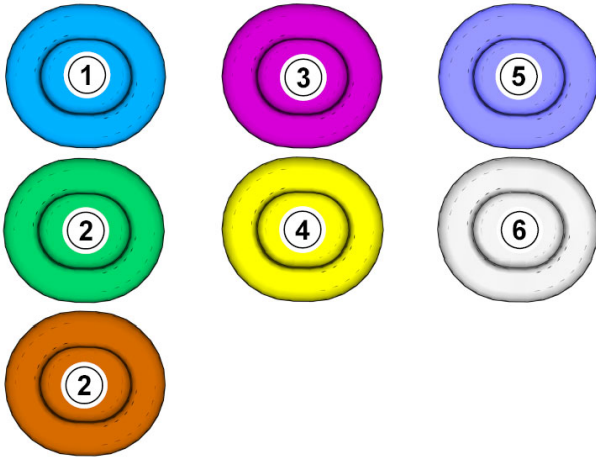
### Affected vehicles

<b>Model year</b>	<b>Model</b>
2020, 2021	S60 (19-)
2020, 2021	S90 (17-)
2020, 2021	S90L
2020, 2021	V60 (19-)
2020, 2021	V90 (17-)
2020, 2021	V90 Cross Country
2020, 2021	XC60 (18-)
2020, 2021	XC90 (16-)

### Equipment

<b>Designation</b>	<b>Part No.</b>
Clip remover	
Brake pipe wrench	

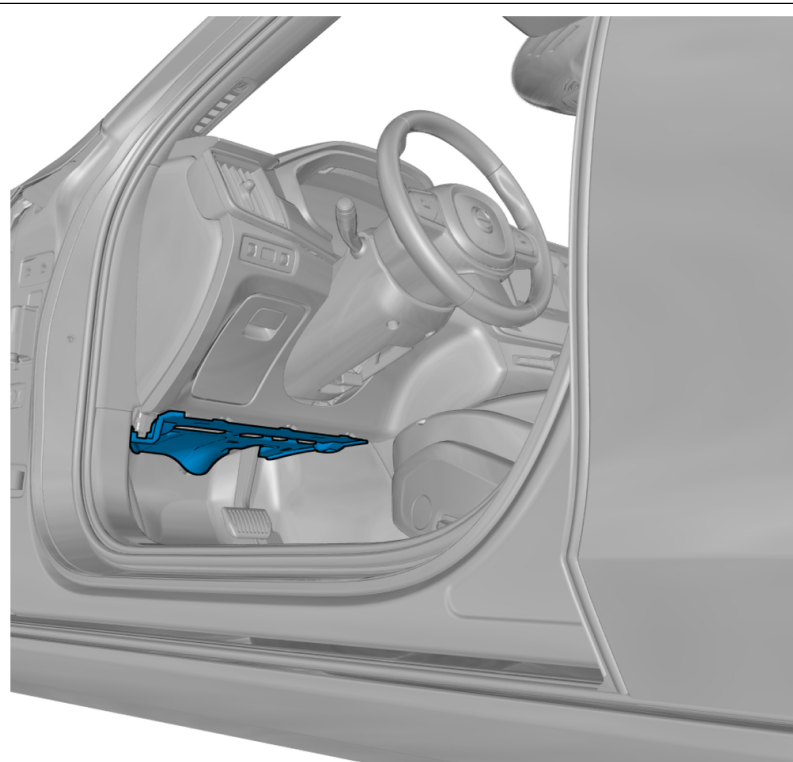
### Color symbols



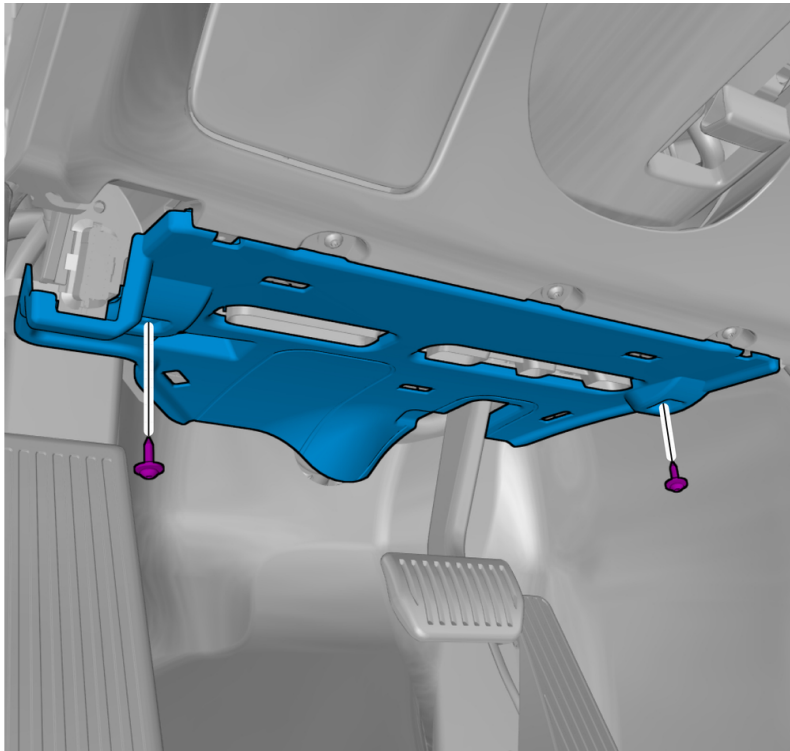
**Note!** This colour chart displays (in colour print and electronic version) the importance of the different colours used in the images of the method steps.

- 1 . Used for focused component, the component with which you will do something.
- 2 . Used as extra colors when you need to show or differentiate additional parts.
- 3 . Used for attachments that are to be removed/installed. May be screws, clips, connectors, etc.
- 4 . Used when the component is not fully removed from the vehicle but only hung to the side.
- 5 . Used for standard tools and special tools.
- 6 . Used as background color for vehicle components.

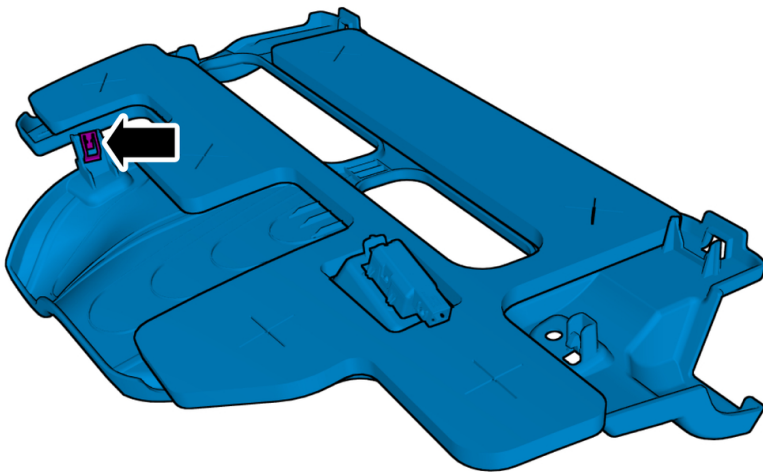
### Removal



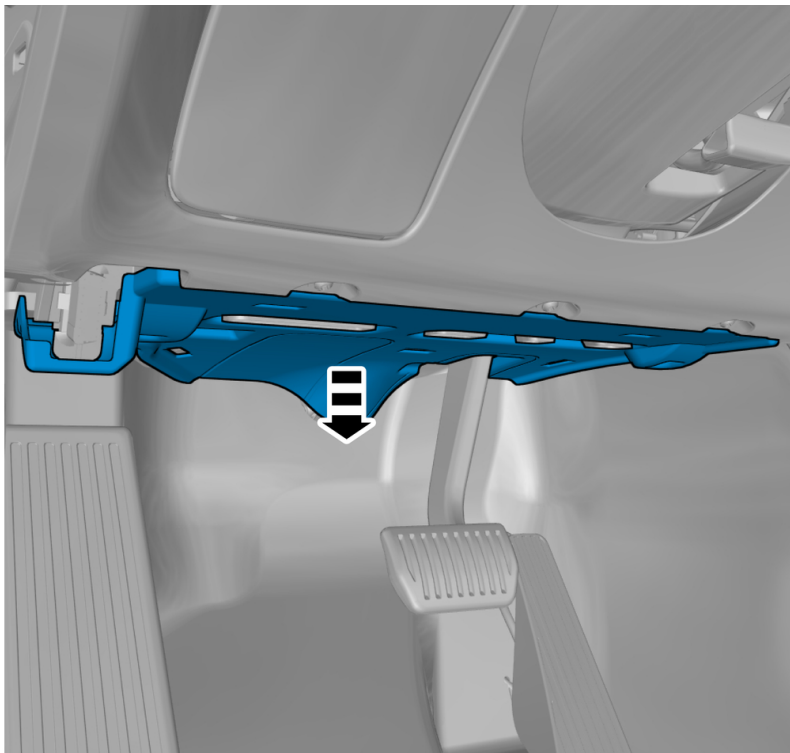
**Note!** Orientation view



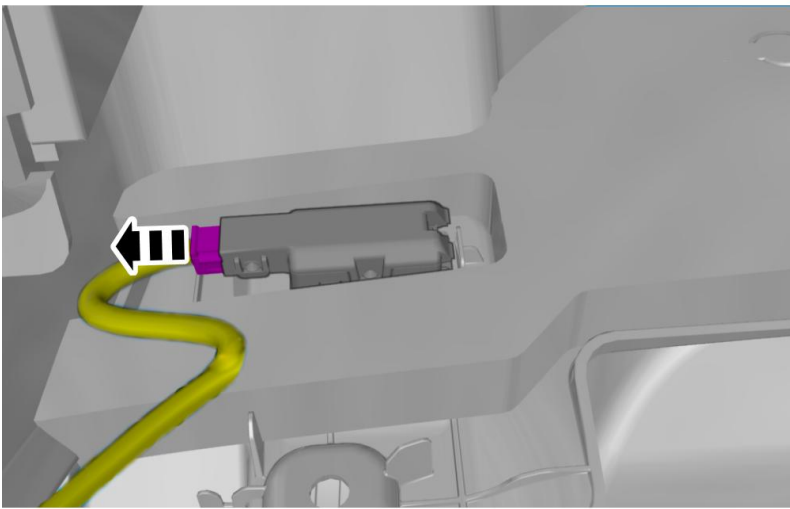
Remove the screws.



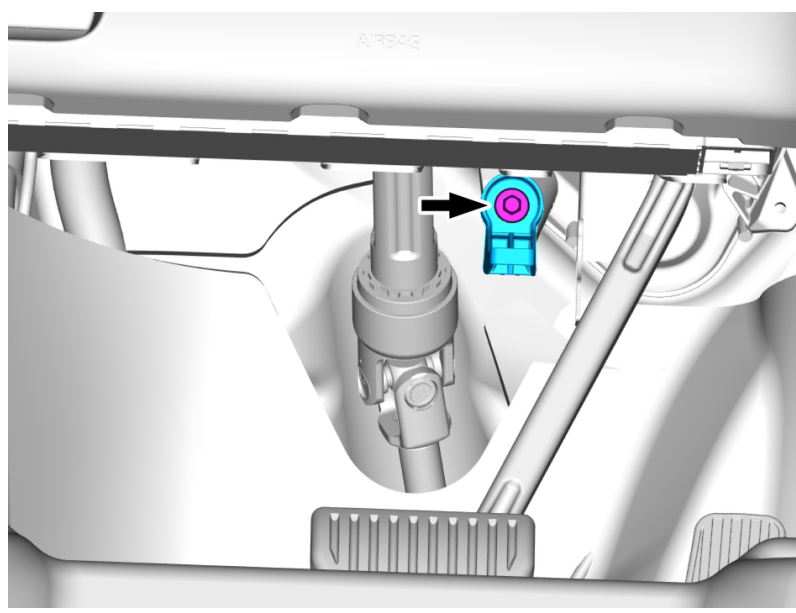
**Note!** The graphic shows the back of the component before removal.



Remove the panel.



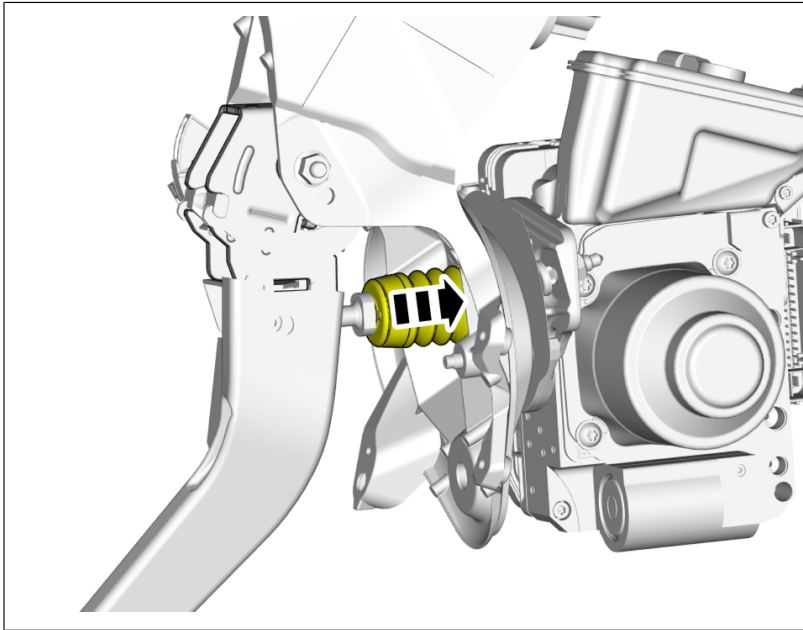
Disconnect the connector.



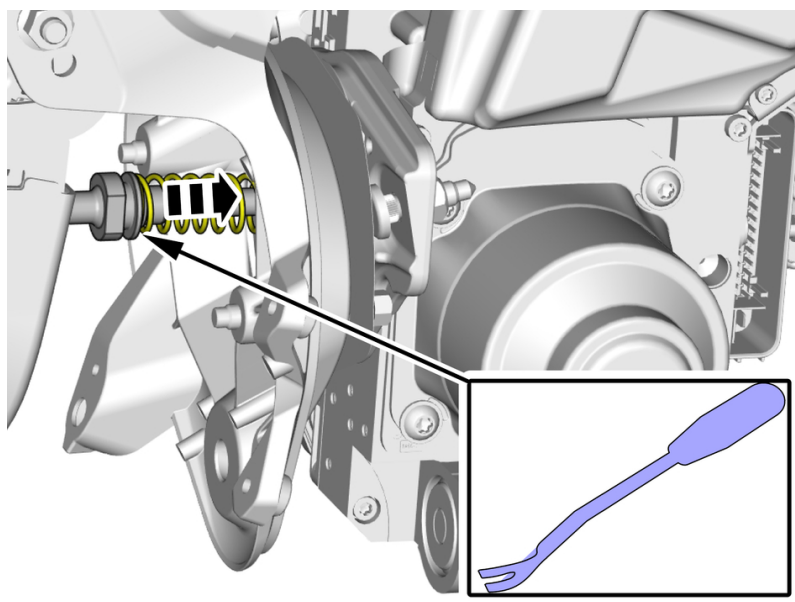
Remove the screw.  
Remove the marked part.

**Torque:**

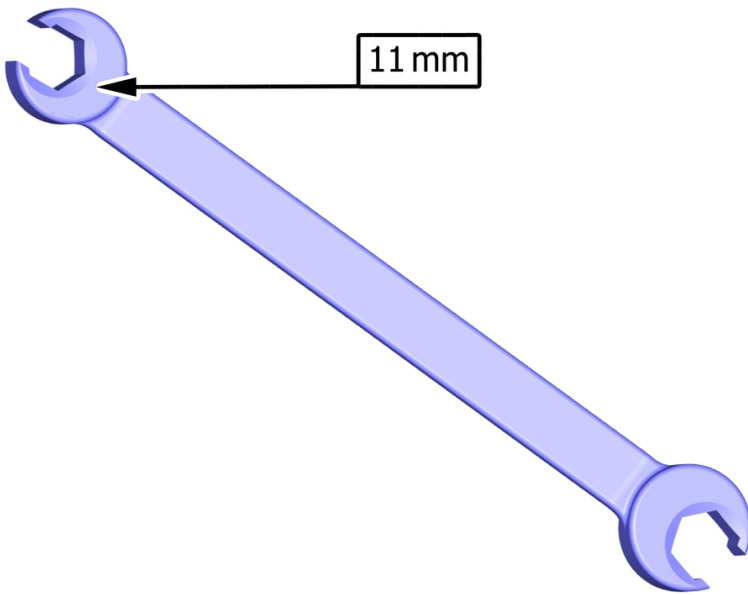
M5 , 5 Nm



Pull the component in direction of the arrow.  
Use your fingers.  
Note position of components.

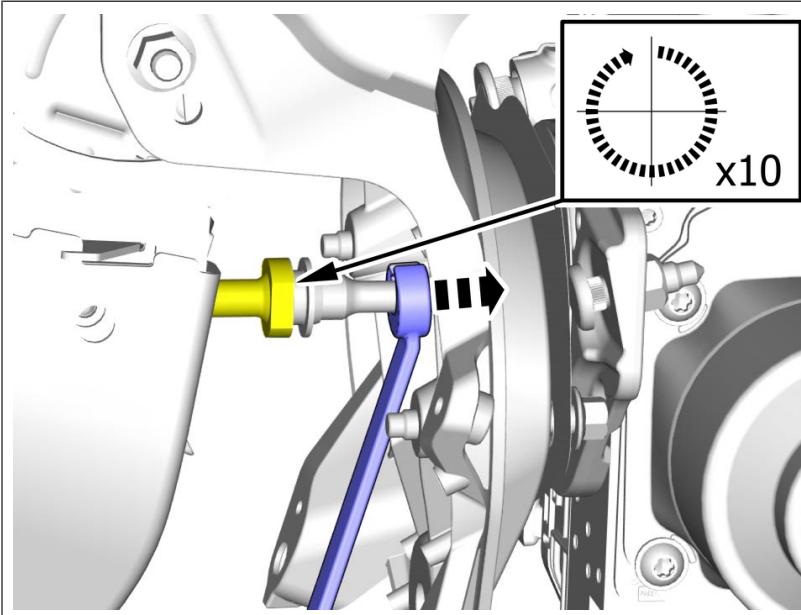


**Use:** Clip remover

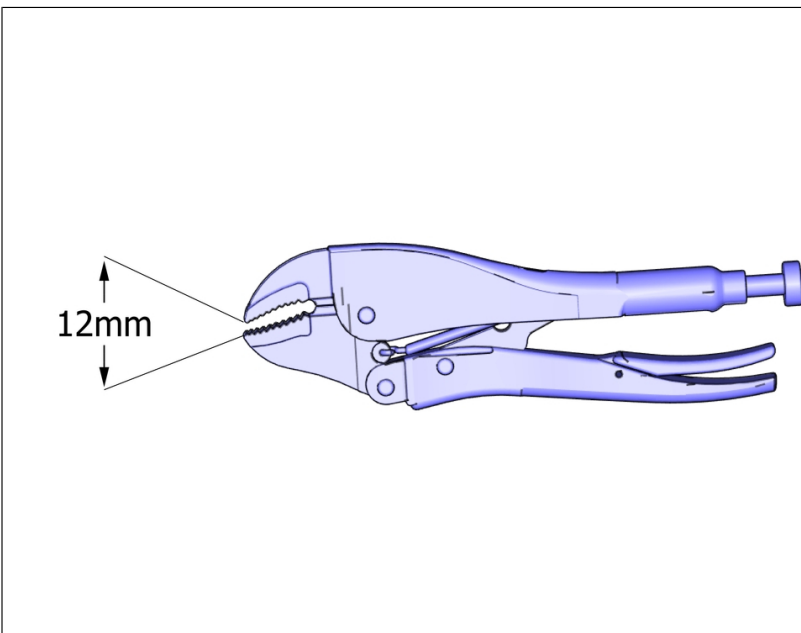


**Note! Tool suggestion:**

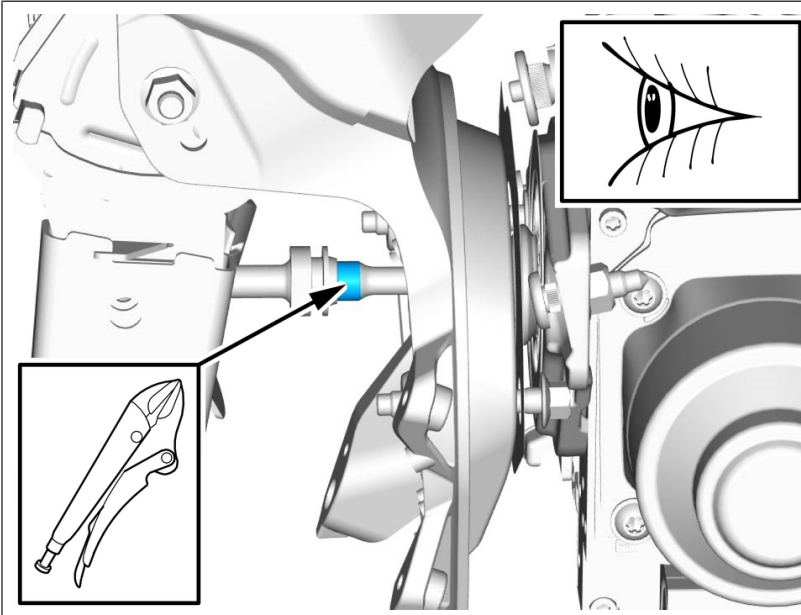
**Use:** Brake pipe wrench



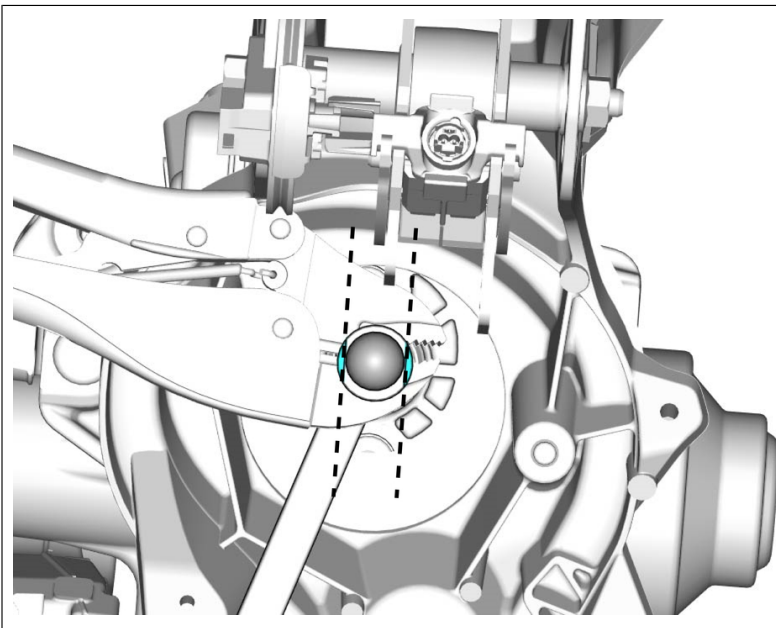
Use your fingers.



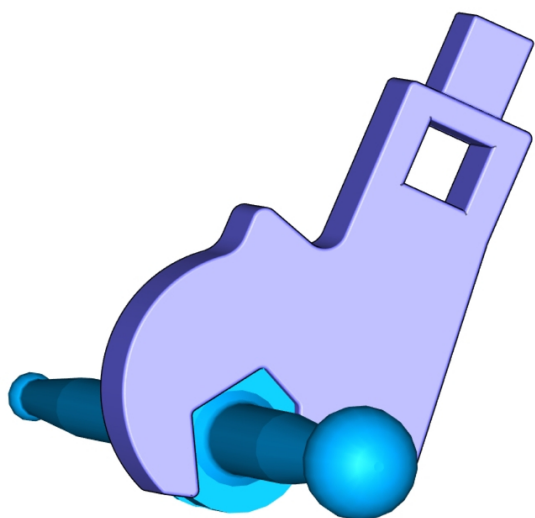
Adjust to the specified value.



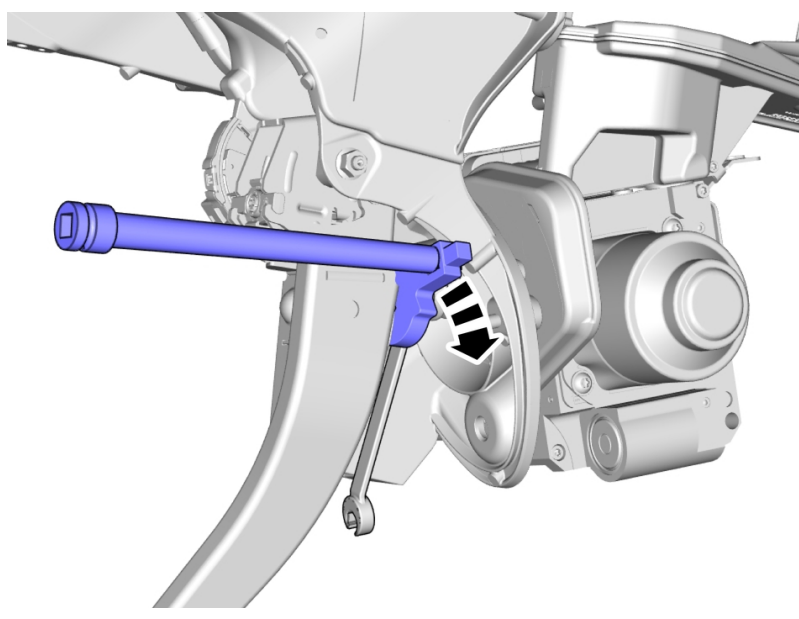
**Caution! Note the placing of the tool.**  
Universal grip pliers



**Note! Note the position.**



Universal grip pliers  
Place tool according to image.



Tighten the screw.

**Torque:**

Push rod brake booster , 16 Nm

**Installation**

To install, reverse the removal procedure.