


RECALL 24V832 / 2024-666 REMEDY INSTRUCTIONS

	Make(s): VIBE Model(s): MANY, SEE BELOW Model Year(s): 2025	Repair Code: RC-029-12-00-004644 Allotted Time: .50 HRS. Inspection Code: N/A Allotted Time: N/A
	Concern: The 3 in 1 Stove may need resecured into the cabinet.	Photo(s) Required: NO Prior Authorization Required: YES Part(s) Kit Number: N/A Part(s) Return: N/A

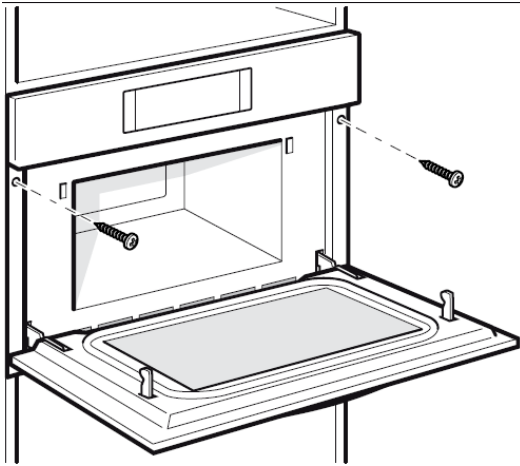
Turn off LP Gas at LPG Tank(s). Disconnect the vehicles' battery Positive and Negative, disconnect any House battery(s) Positive and Negative, if equipped with a generator ensure it is off and lastly, ensure the vehicle is disconnected from shore power. Block any tires/wheels to prevent the vehicle from rolling. Failure to do so may result in electrocution, fire or other personal injury, property damage and/or death.

CERTAIN 2025 – VIBE: VBT2400RB, VBT2500DB, VBT2500SP, VBT2600RK, VBT2800RL, VBT3400BH, VBT3400SB & VBT3400XL

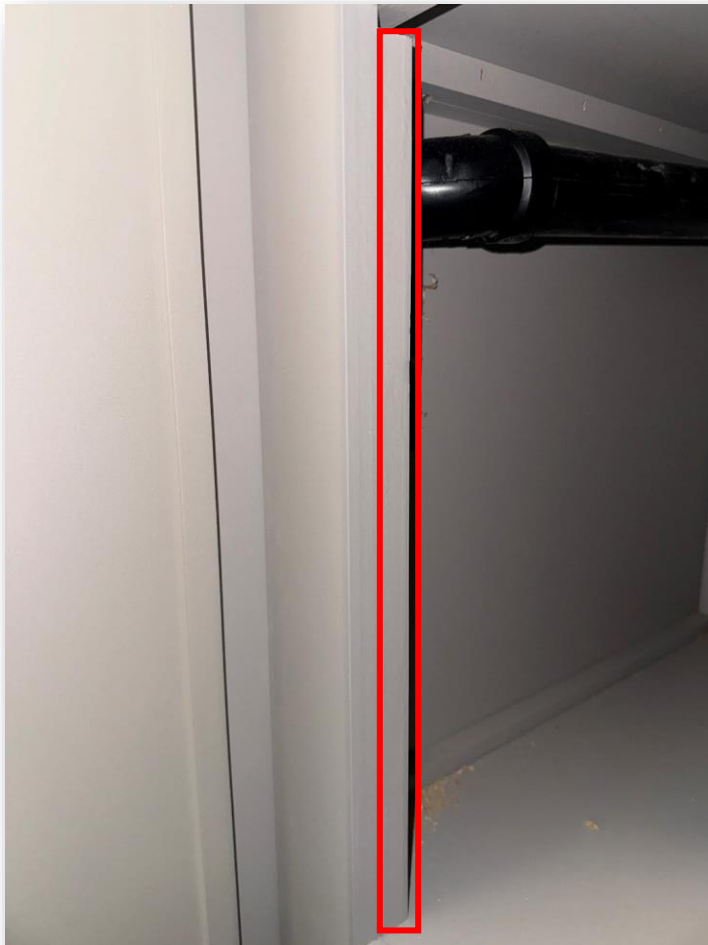
PLEASE SEE ATTACHED REMEDY INSTRUCTIONS

High Pointe TF044E4MD-SHODKO Recall Step-by-Step Correction

Step 1: To begin, open the oven door and proceed to remove the two screws located on the left and right sides. Next, detach the oven cord and carefully extract the oven from the cabinet in its entirety.



Step 2: Identify the unoccupied space located behind the face of the cabinet. It is necessary to install a plywood backer with the following dimensions: 17 ¾ inches in height, ¾ inch in width, and ¾ inch in depth. Please refer to the accompanying illustration depicting the plywood backer properly installed for your reference.



Step 3: Upon the installation of the plywood backer behind the cabinet's face, the microwave may be reinstalled using a 2-inch #10 flat self-piercing wood screw. Please refer to the accompanying reference for further details.

