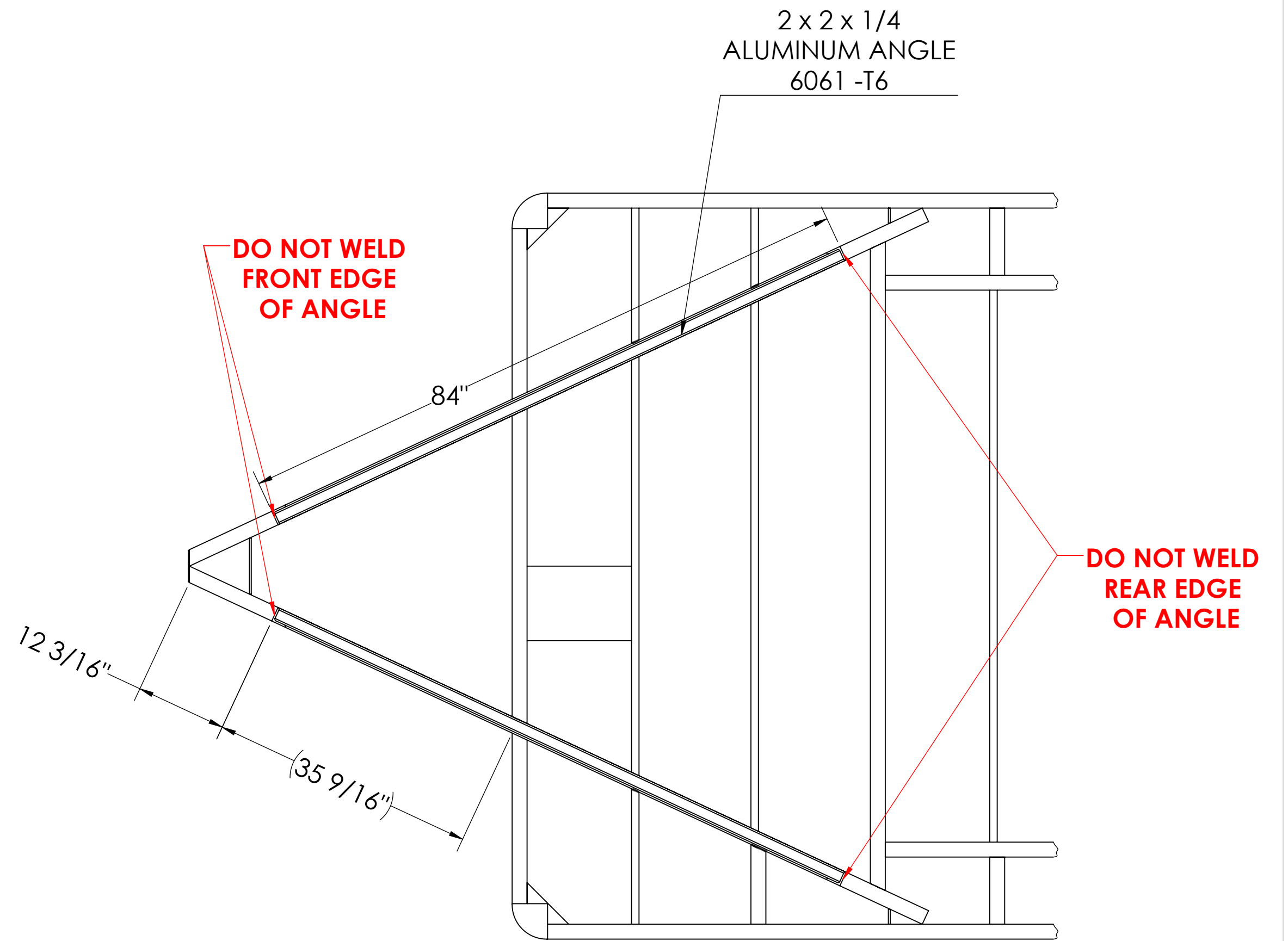
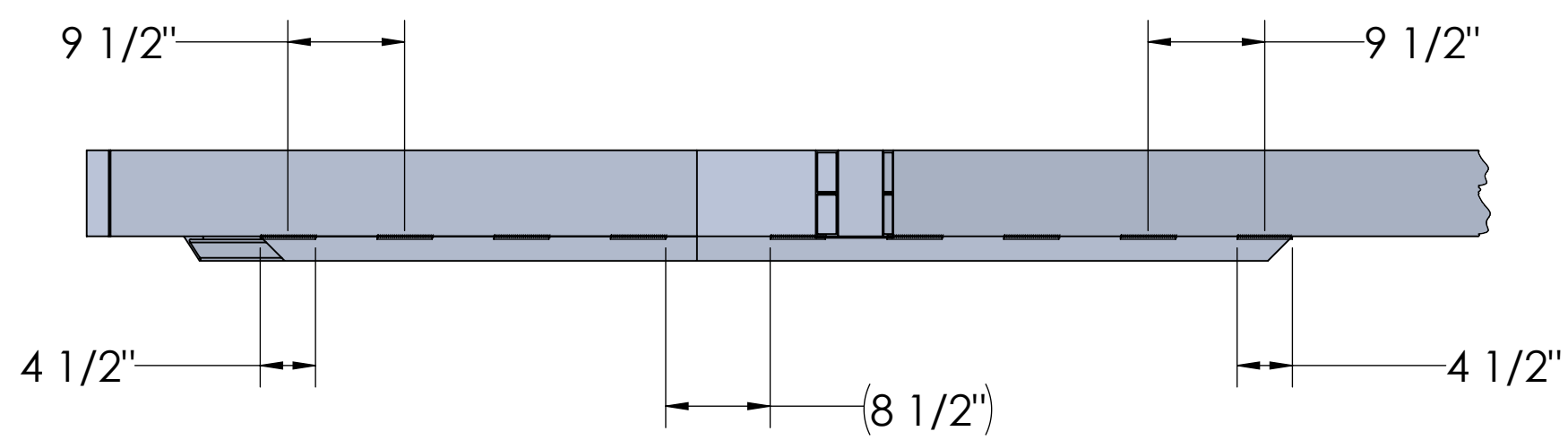


**BOTTOM ISO VIEW**



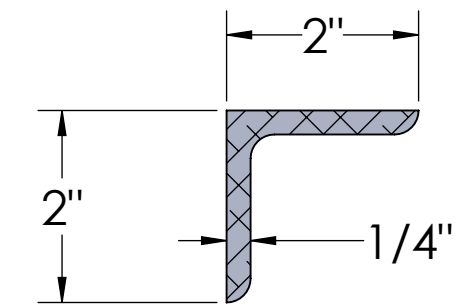
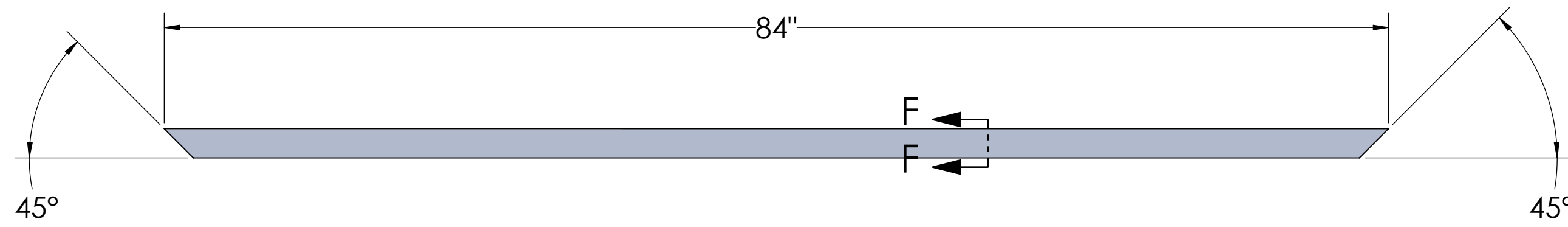
**BOTTOM VIEW**



**WELD LENGTH AND GAP**

FOR FRAME	<b>DIMENSION TOLERANCES</b>	ALL DIMENSIONS ARE NOMINAL UNLESS CRITICAL DIMENSIONS ARE SPECIFICALLY NOTED	TITLE:	ACUMATICA PN:
EXTERIOR	STANDARD		RAV-ROM Tongue Repair	DRAWN BY: REVISION:
INTERIOR	+ 1/16", 1.0°		MATERIAL: (THICKNESS - TYPE - ALLOY - SIZE)	AS
STRUCTURAL	CRITICAL		WEIGHT:	DATE:
	+ 1/32", 0.5°		ATC	10/17/24
REVISION TABLE			PROPRIETARY AND CONFIDENTIAL: THE INFORMATION CONTAINED IN THIS DRAWING IS THE SOLE PROPERTY OF ATC TRAILERS. ANY REPRODUCTION IN PART OR AS A WHOLE WITHOUT THE WRITTEN PERMISSION OF ATC TRAILERS IS PROHIBITED.	SCALE: 1:14
REV.	DESCRIPTION	DATE	DONE BY	SHEET 1 OF 4
DWG PATH: C:\Eng_Vault\R&D\R&D Projects\PROJECTS\~Tongue Project\				FILE NAME: CONCEPT - 0034408 - CHASSIS, RM4_0, 85_2800, ___ - TONGUE FEA

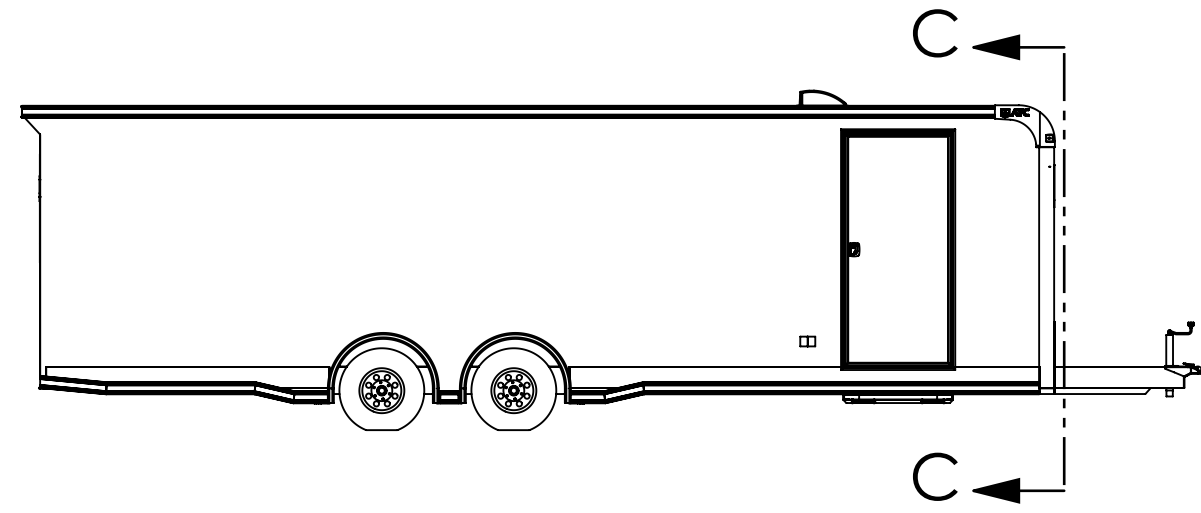
2 x 2 x 1/4  
 STRUCTURAL ALUMINUM ANGLE  
 6061-T6  
 QUANTITY (2) REQUIRED



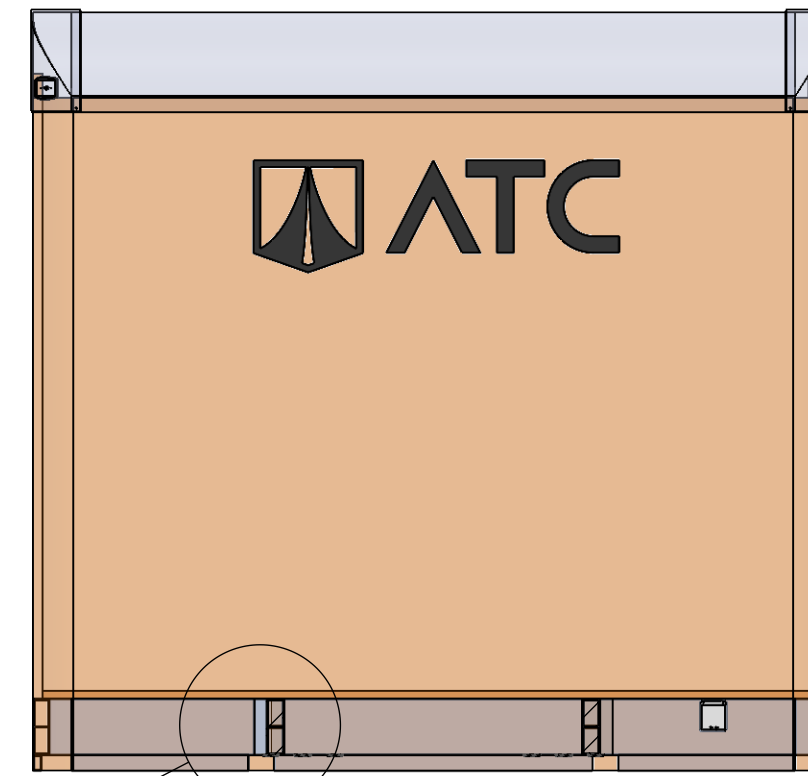
SECTION F-F  
 SCALE 1 : 2

FOR FRAME	<b>DIMENSION TOLERANCES</b>	ALL DIMENSIONS ARE NOMINAL UNLESS CRITICAL DIMENSIONS ARE SPECIFICALLY NOTED	TITLE: <b>RAV-ROM Tongue Repair</b>	ACUMATICA PN:
EXTERIOR	<b>STANDARD</b>		MATERIAL: (THICKNESS - TYPE - ALLOY - SIZE)	DRAWN BY: REVISION:
INTERIOR	+ 1/16", 1.0°		 PROPRIETARY AND CONFIDENTIAL: THE INFORMATION CONTAINED IN THIS DRAWING IS THE SOLE PROPERTY OF ATC TRAILERS. ANY REPRODUCTION IN PART OR AS A WHOLE WITHOUT THE WRITTEN PERMISSION OF ATC TRAILERS IS PROHIBITED.	AS
STRUCTURAL	<b>CRITICAL</b> + 1/32", 0.5°			DATE: <b>10/17/24</b>
WEIGHT: 7.47 LBS			FILE NAME: CONCEPT - 0034408 - CHASSIS, RM4_0, 85_2800, ___ - TONGUE FEA	SHEET 2 OF 4

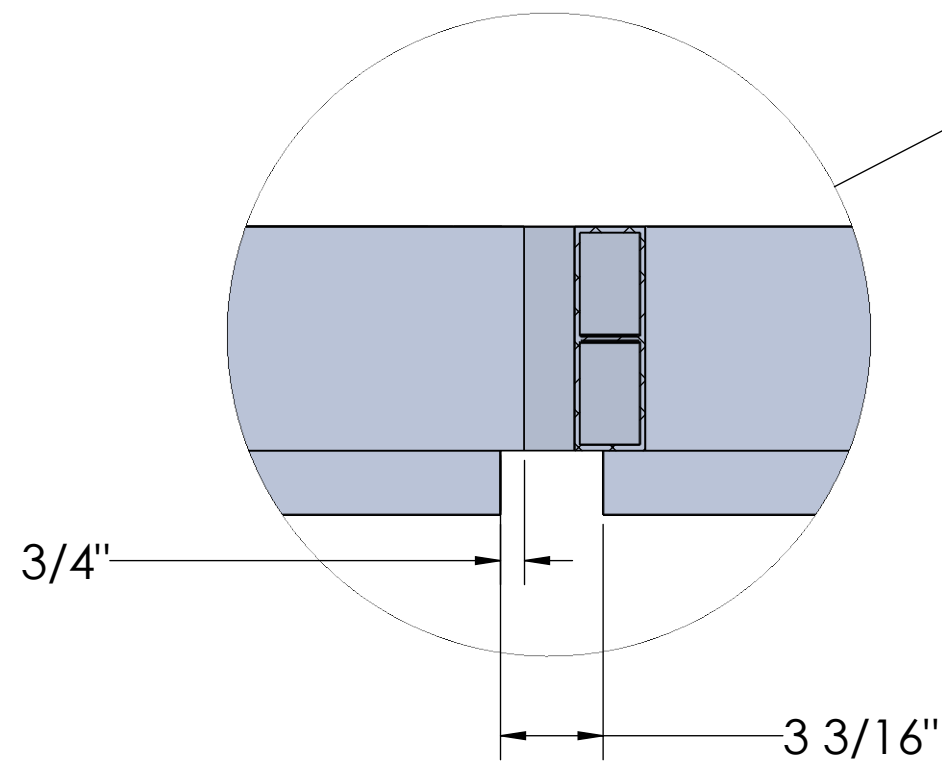
NOTE: OPTIONAL 2" DROP SKIRTING  
REQUIRES GRAVEL GUARD AND TUBE  
TO BE CUT AT THE FRONT WALL  
AROUND THE A-FRAME AS SHOWN



**CURBSIDE VIEW**



SECTION C-C  
SCALE 1 : 24



DETAIL D  
SCALE 1 : 6

FOR FRAME	DIMENSION TOLERANCES	ALL DIMENSIONS ARE NOMINAL UNLESS CRITICAL DIMENSIONS ARE SPECIFICALLY NOTED
EXTERIOR	STANDARD + 1/16", 1.0°	
INTERIOR	CRITICAL + 1/32", 0.5°	
STRUCTURAL		

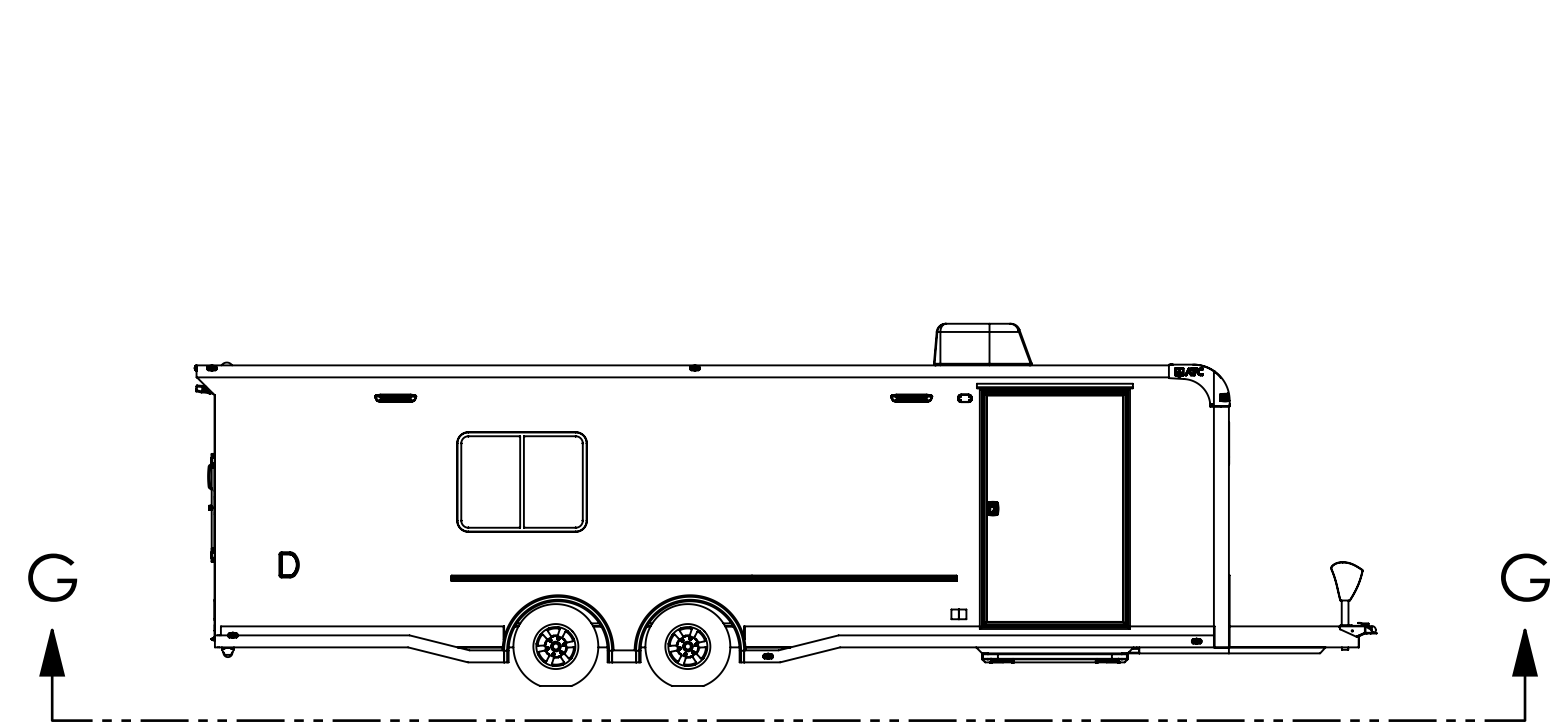
TITLE:	ACUMATICA PN:
MATERIAL: (THICKNESS - TYPE - ALLOY - SIZE)	DRAWN BY: REVISION:
WEIGHT:	AS
	DATE:
	10/17/24
	SCALE: 1:64



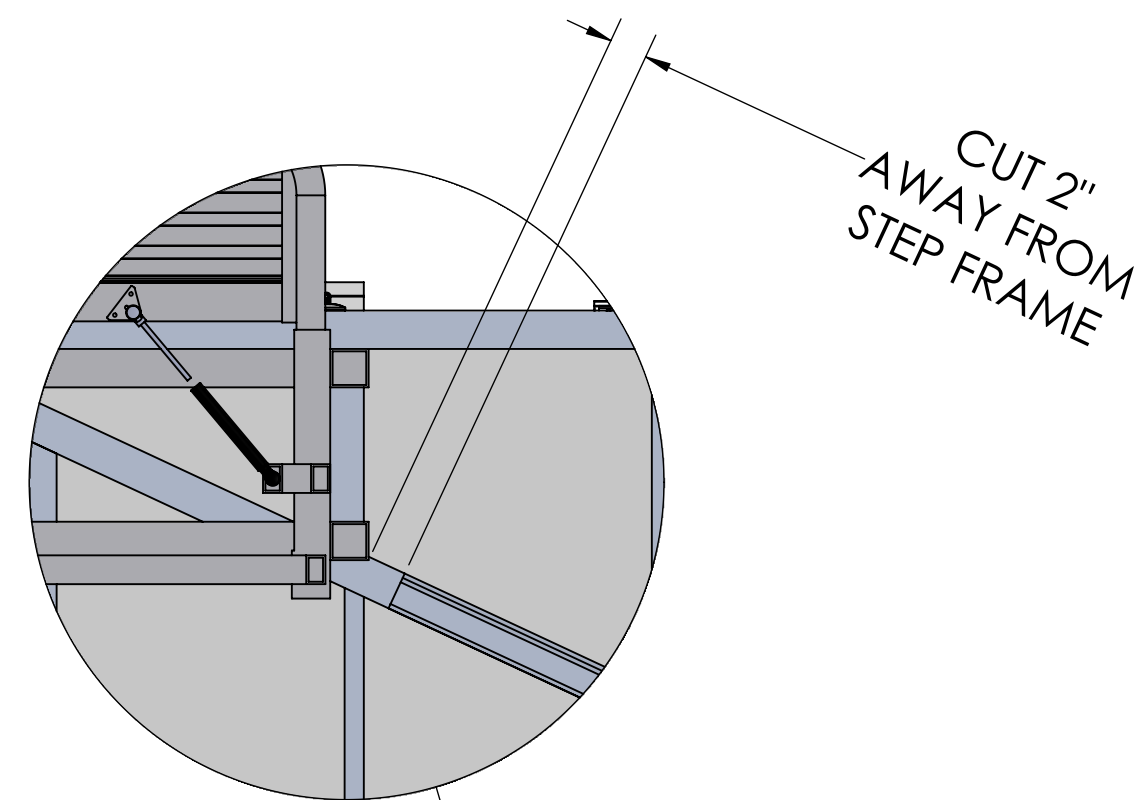
PROPRIETARY AND CONFIDENTIAL: THE INFORMATION CONTAINED IN THIS DRAWING IS THE SOLE PROPERTY OF ATC TRAILERS. ANY REPRODUCTION IN PART OR AS A WHOLE WITHOUT THE WRITTEN PERMISSION OF ATC TRAILERS IS PROHIBITED.

NOTE: SLIDE OUT STEP DESIGN MAY REQUIRE MODIFICATION TO THE CURSIDE REINFORCEMENT ANGLE DUE TO INTERFERENCE

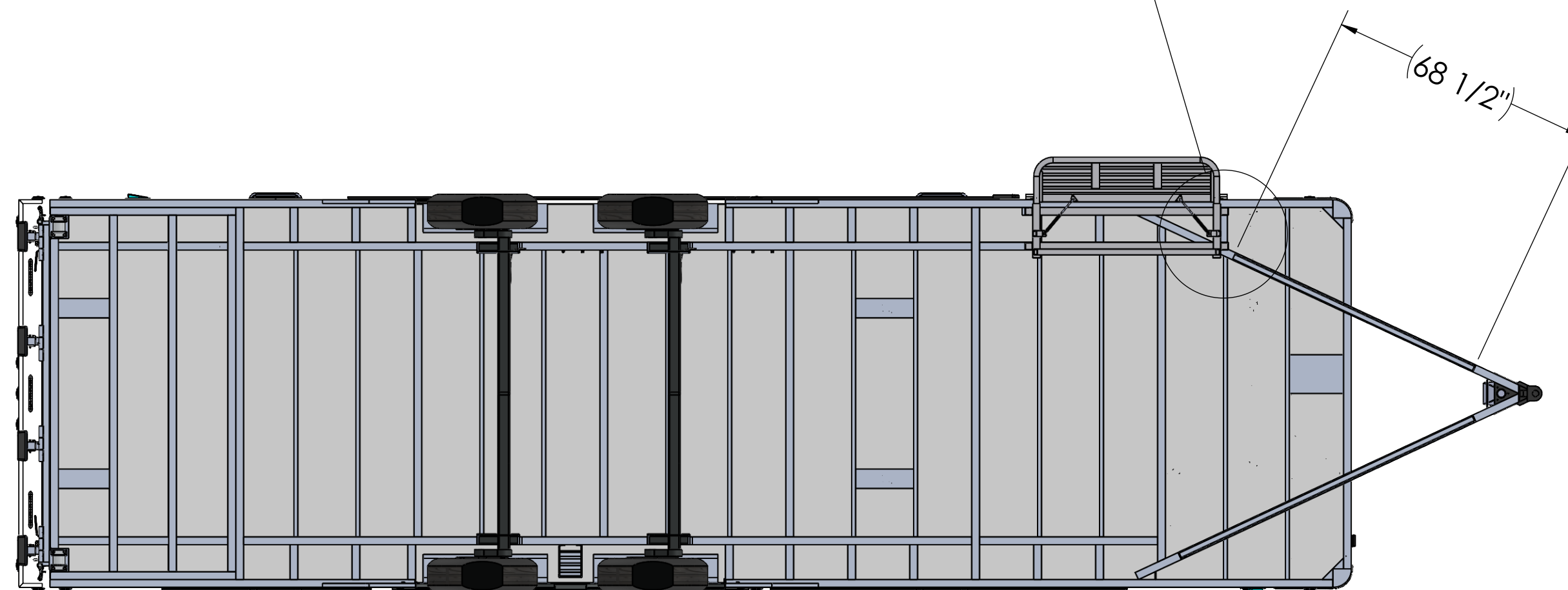
CONTACT ATC WITH ANY OTHER OBSTRUCTIONS




**CURBSIDE VIEW**



DETAIL H  
SCALE 1 : 10



SECTION G-G  
SCALE 1 : 32

FOR FRAME	<b>DIMENSION TOLERANCES</b>	ALL DIMENSIONS ARE NOMINAL UNLESS CRITICAL DIMENSIONS ARE SPECIFICALLY NOTED	TITLE:	ACUMATICA PN:	
EXTERIOR	<b>STANDARD</b>		MATERIAL: (THICKNESS - TYPE - ALLOY - SIZE)		DRAWN BY: REVISION:
INTERIOR	+ 1/16", 1.0°		 <b>ATC</b> <small>PROPRIETARY AND CONFIDENTIAL: THE INFORMATION CONTAINED IN THIS DRAWING IS THE SOLE PROPERTY OF ATC TRAILERS. ANY REPRODUCTION IN PART OR AS A WHOLE WITHOUT THE WRITTEN PERMISSION OF ATC TRAILERS IS PROHIBITED.</small>		AS
STRUCTURAL	<b>CRITICAL</b> + 1/32", 0.5°				WEIGHT: 14206.34 LBS
			FILE NAME: CONCEPT - Overlay Assembly	SCALE: 1:64	
				SHEET 4 OF 4	