

# SAFETY RECALL

Mack Trucks Inc.  
Greensboro, NC USA



---

Date	Number	Release	Page
11.2024	SC0471	01	1(3)

## Mack Non-DOT Tested Tires GR

### RECALL INFORMATION

(November 2024)

Mack Trucks has determined that certain GR vehicles may have been built with non-DOT tested tires, as required by FMVSS 119. Tires that are not confirmed with appropriate DOT standard testing may have a failure which could result in an accident.

To ensure these vehicles meet Mack's strict quality standards, the tires will be inspected, and any non-compliant tires will be replaced.

### VEHICLES AFFECTED

Certain Mack Granite vehicles manufactured between November 1, 2017, and June 24, 2024.

### VEHICLE QUANTITY

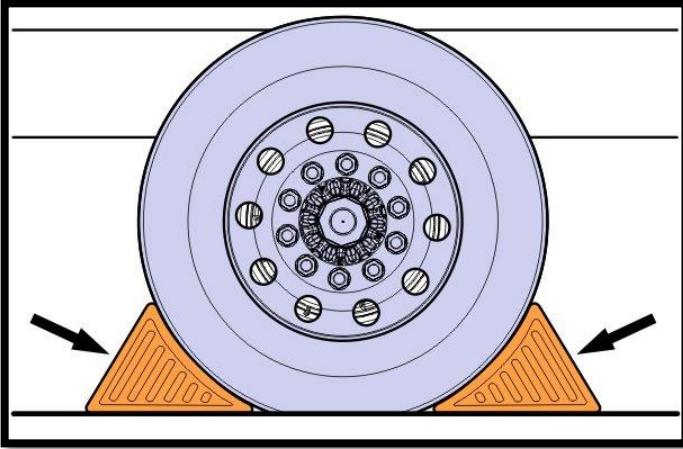
There are 49 vehicles affected by this recall. (49 US)

**Parts**

- N/A

**Repair Instructions**

1. Park the vehicle on level surface.
2. Apply the parking brake.
3. Place the transmission in neutral.
4. Install the wheel chocks.



5. Inspect the sidewall of each tire on all driven axles for DOT compliance.



Image for DOT stamp reference only\*

6. This inspection applies exclusively to Bridgestone L317 tires. If a tire is not a Bridgestone L317 or is DOT-compliant, proceed to step 8.
7. If any Bridgestone L317 tires are identified during the inspection without the DOT stamp, they must be replaced with DOT-compliant tires.
8. Remove wheel chocks and return vehicle to service.

**REIMBURSEMENT**

If tires need to be replaced, claim as a sublet in “other costs”.

This repair is covered by an authorized Safety Recall. Reimbursement is obtained through the normal claim handling process.	
	<b>UCHP Reimbursement</b>
<b>Claim Type</b> (used only when uploading from the Dealer Business System)	40
<b>Recall Status</b>	
Vehicle repaired per instructions	1-Modified per instructions
<b>Labor Codes</b>	
7720-06-02-03 Bridgestone Tire, Inspection	0.3 hrs
<b>Causal Part</b>	24590003
<b>Authorization Number</b>	C0399

**Note:** Dealers or the designated representatives are to perform Safety Recall on all subject vehicles at no charge to the vehicle owner regardless of mileage, age of vehicle or ownership (original purchaser or subsequent purchasers). Whenever vehicles that are subject to a Safety Recall are brought to your dealership for service, it is strongly recommended that every effort be made to perform the recall correction before the vehicle is released to the owner.